

PRODUCT INFORMATION PACKET



Model No: C215K17FK6 A

Catalog No: 140807.00

..7 1/2HP..1740RPM.215.TEFC./230V.1PH.60HZ.CONT.40C.1.15SF.RIGID C.C215K17FK6A.....GENERAL PURPOSE.NOT.....

Totally Enclosed Fan Cooled (TEFC)



Regal and Leeson are trademarks of Regal Beloit Corporation or one of its affiliated companies.

©2018 Regal Beloit Corporation, All Rights Reserved. MC017097E



**Product Information Packet: Model No: C215K17FK6 A, Catalog No:140807.00 ..7
 1/2HP..1740RPM.215.TEFC./230V.1PH.60HZ.CONT.40C.1.15SF.RIGID C.C215K17FK6A.....GENERAL
 PURPOSE.NOT.....**



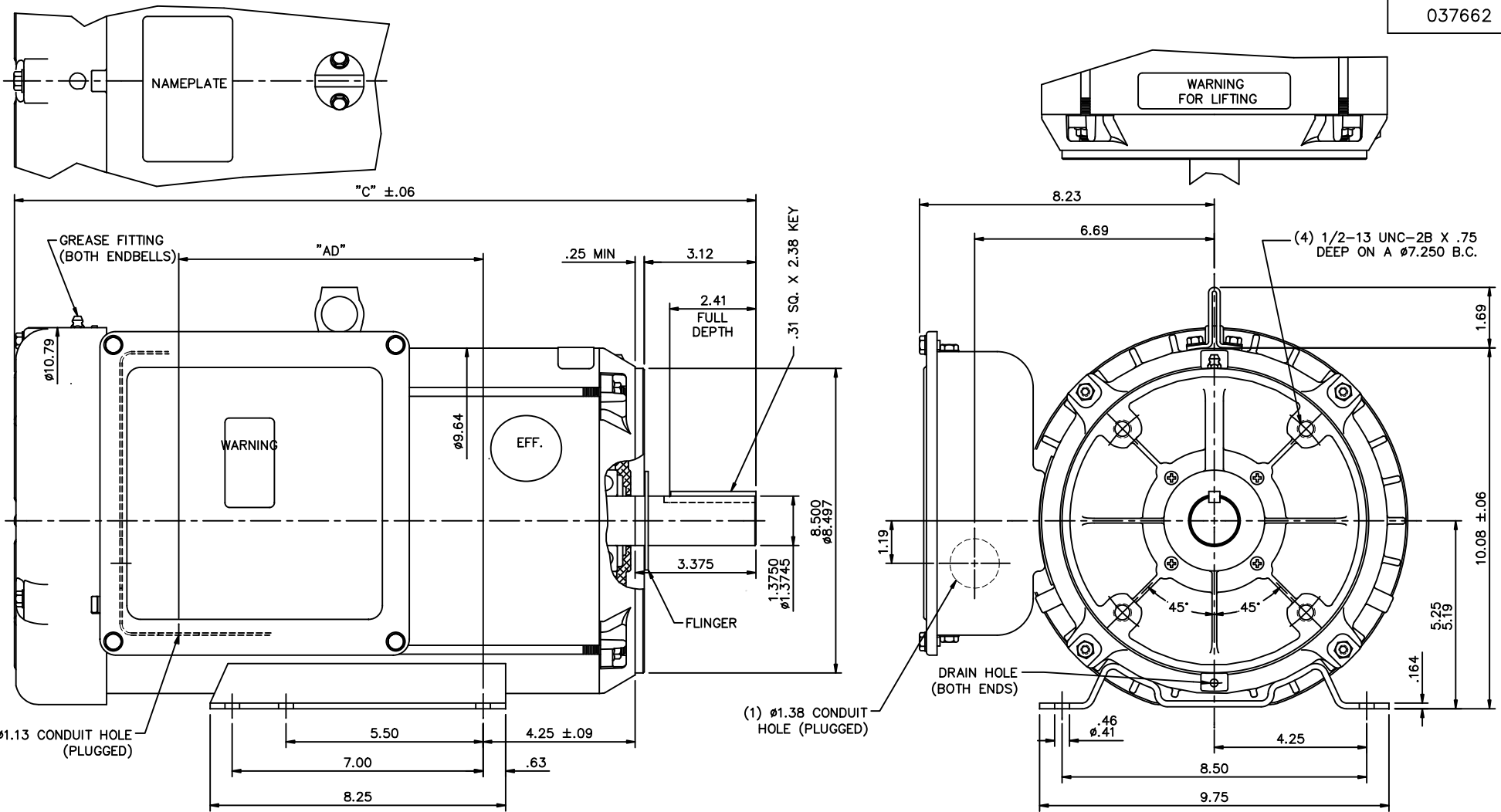
Nameplate Specifications

Output HP	7.5 Hp	Output KW	5.6 kW
Frequency	60 Hz	Voltage	230 V
Current	33.6 A	Speed	1740 rpm
Service Factor	1.15	Phase	1
Efficiency	82.5 %	Duty	CONTINUOUS
Insulation Class	F	Design Code	NO DESIGN CODE
KVA Code	H	Frame	215TC
Enclosure	TEFC	Overload Protector	NOT
Ambient Temperature	40 °C	Drive End Bearing Size	6207
Opp Drive End Bearing Size	6206	UL	Recognized
CSA	Y	CE	Y
IP Code	43		

Technical Specifications

Electrical Type	CAP START CAP RUN	Starting Method	ACROSS THE LINE
Poles	4	Rotation	SELECTIVE CCW
Mounting	RIGID	Motor Orientation	HORIZONTAL
Drive End Bearing	BALL	Opp Drive End Bearing	BALL
Frame Material	ROLLED STEEL	Shaft Type	T
Overall Length	20.21 in	Frame Length	13.5 in
Shaft Diameter	1.38 in	Shaft Extension	3.12 in
Assembly/Box Mounting	F1 ONLY		
Outline Drawing	037662-1350	Connection Diagram	5077.1

This is an uncontrolled document once printed or downloaded and is subject to change without notice. Date Created: 04/19/2018



(1) $\phi 1.13$ CONDUIT HOLE (PLUGGED)

(1) $\phi 1.38$ CONDUIT HOLE (PLUGGED)

GASKETS THROUGHOUT
 MAXIMUM FACE RUNOUT TO BE .004 T.I.R.
 MAXIMUM PILOT ECCENTRICITY TO BE .004 T.I.R.
 PERMISSIBLE SHAFT RUNOUT TO BE .002 T.I.R.
 ALIGN BASE TO C-FACE MOUNTING HOLES WITHIN $\pm 1/16"$

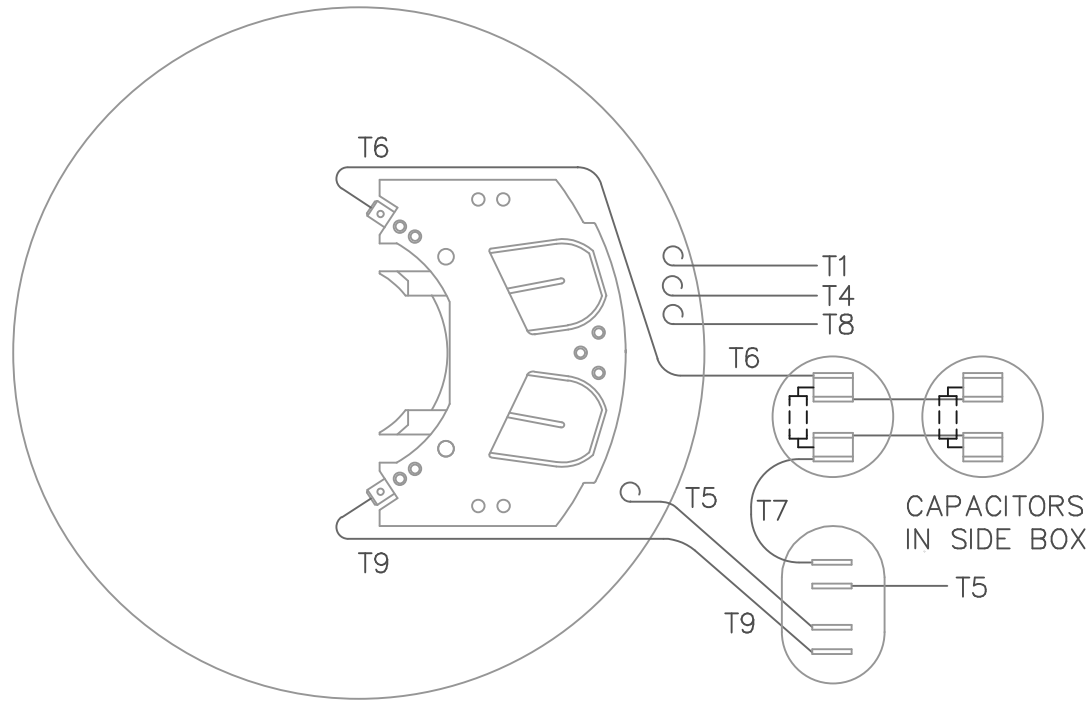
DASH NO.	"C"	"AD"
1200	18.71	6.50
1250	19.21	7.00
1300	19.71	7.50
1350	20.21	8.00
1400	20.71	8.50
1450	21.21	9.00
1500	21.71	9.50

NO.		REVISION	BY & DATE	CHK	ANG	±1/2'	FINISH	CAD FILE		037662	SIZE	DRAWING NO.	REV.
THIS DRAWING IN DESIGN AND DETAIL IS OUR PROPERTY AND MUST NOT BE USED EXCEPT IN CONNECTION WITH OUR WORK ALL RIGHTS OF DESIGN AND INVENTION ARE RESERVED THIS IS AN ELECTRONICALLY GENERATED DOCUMENT - DO NOT SCALE THIS PRINT				RFP	ANG	±1/2'	FINISH	CAD FILE		037662	B	037662	
				DIST	NLV								



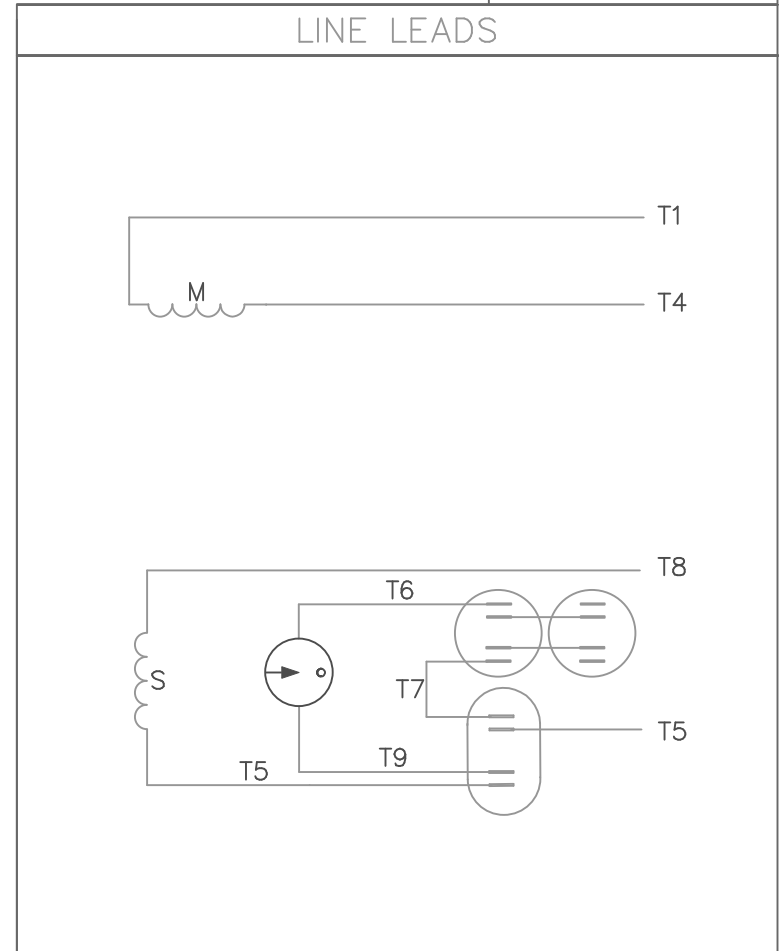
TITLE OUTLINE - 210TC FRAME
 TEFC - RIGID "C"

DRAWN	LST 3/1/10
CHK	
APPD	
SCALE	3=8
REF	
FMF	
PREV	




VIEW FROM OUTSIDE OF MOTOR AT SWITCH END

CAUTION:
LEAD WIRE INSULATION TO EXTEND MIN. OF 1/4" INTO CONNECTOR INSULATION



ROTATION FACING LEAD END	L1	L2
C.C.W.	T1,T8	T4,T5
C.W.	T1,T5	T4,T8

				TOLERANCES UNLESS SPECIFIED		 ELECTRIC MOTORS GEARMOTORS AND DRIVES	DRAWN RDW 10/11/02 CHK APPD SCALE 1=2 REF 005077-09 FMF 140120 PREV
				DEC.	INCHES		TITLE
				.X	±.1		EXTERNAL WIRING DIAGRAM TYPE "K" W/O PROTECTOR
				.XX	±.01		MAT'L.
				.XXX	±.005		DECAL 004018
NO.	REVISION	BY & DATE	CHK	ANG	±1/2"	FINISH	
				RFP	10/11/02	CAD FILE	00507710
				DIST		SIZE	A
						DRAWING NO.	005077-10
						REV.	

THIS DRAWING IN DESIGN AND DETAIL IS OUR PROPERTY AND MUST NOT BE USED EXCEPT IN CONNECTION WITH OUR WORK ALL RIGHTS OF DESIGN AND INVENTION ARE RESERVED THIS IS AN ELECTRONICALLY GENERATED DOCUMENT - DO NOT SCALE THIS PRINT