

PRODUCT INFORMATION PACKET



Model No: P145K34FK4E

Catalog No: 121060.00

3HP..3450RPM.145.TEFC./230V.1PH.60HZ.CONT.MANUAL.40C.1SF.RIGID C.GENERAL
PURPOSE.P145K34FK4E

Totally Enclosed Fan Cooled (TEFC)



Regal and Leeson are trademarks of Regal Beloit Corporation or one of its affiliated companies.

©2018 Regal Beloit Corporation, All Rights Reserved. MC017097E



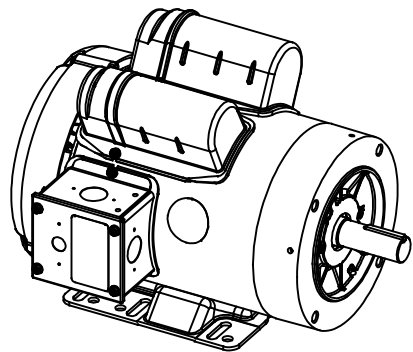
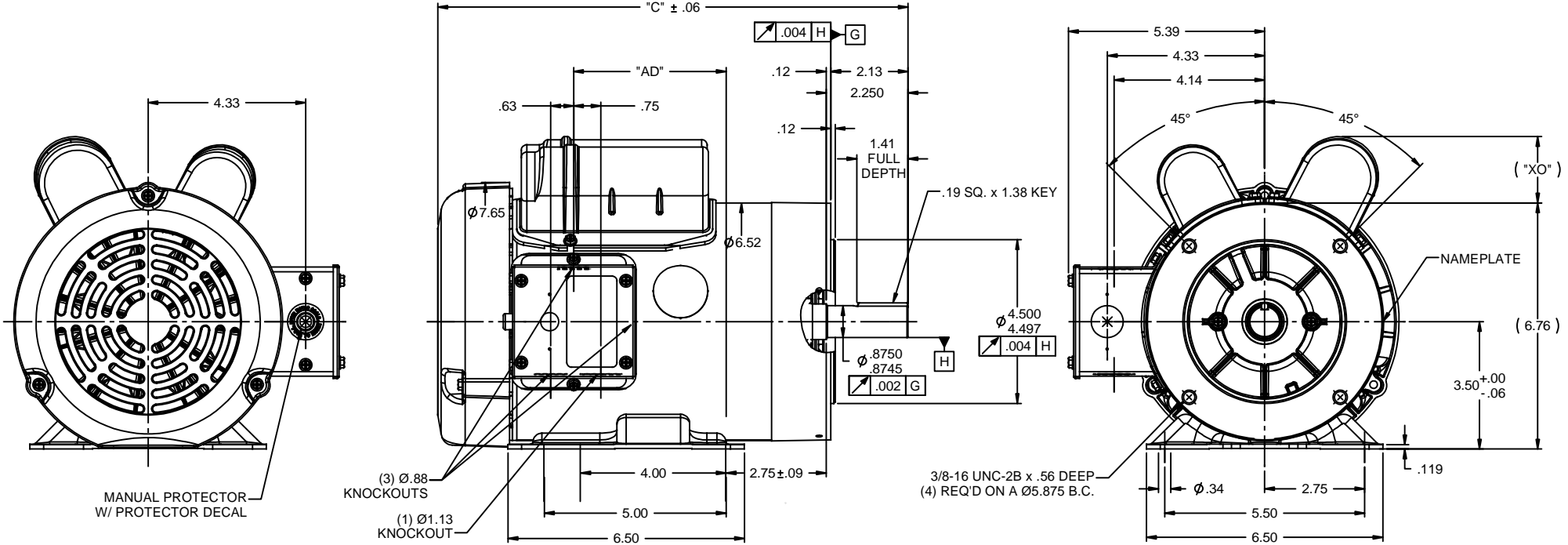


Nameplate Specifications

Output HP	3 Hp	Output KW	2.2 kW
Frequency	60 Hz	Voltage	230 V
Current	13.0 A	Speed	3450 rpm
Service Factor	1	Phase	1
Efficiency	81.5 %	Duty	Continuous
Insulation Class	F	Design Code	L
KVA Code	J	Frame	145TC
Enclosure	Totally Enclosed Fan Cooled	Overload Protector	Manual
Ambient Temperature	40 °C	Drive End Bearing Size	6205
Opp Drive End Bearing Size	6203	UL	Recognized (Not Protector)
CSA	N	CE	N
IP Code	54		

Technical Specifications

Electrical Type	Capacitor Start Capacitor Run	Starting Method	Across The Line
Poles	2	Rotation	Selective Counterclockwise
Mounting	Rigid base	Motor Orientation	HORIZONTAL
Drive End Bearing	BALL	Opp Drive End Bearing	BALL
Frame Material	Rolled Steel	Shaft Type	T
Overall Length	14.43 in	Frame Length	8.50 in
Shaft Diameter	0.875 in	Shaft Extension	2.25 in
Assembly/Box Mounting	F1 ONLY		
Outline Drawing	028804-850C	Connection Diagram	005056.03

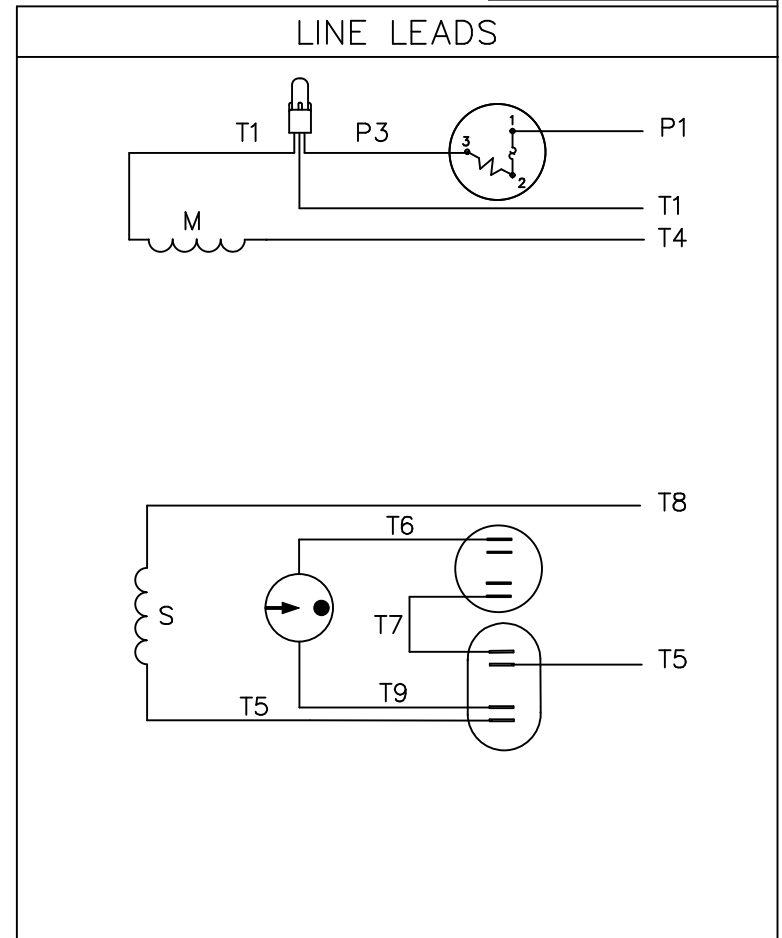
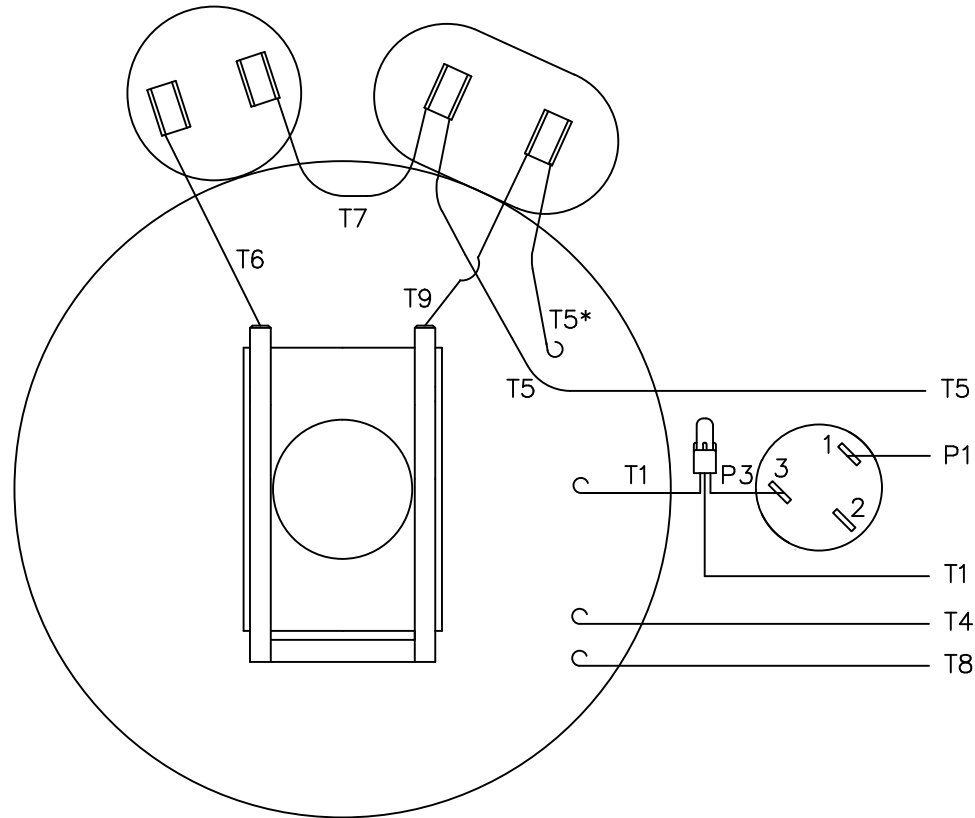


DASH NO.	"C"	"AD"	CAP DASH	"XO"
700	12.93	4.19	A	1.15
750	13.43	4.69	B	1.60
800	13.93	5.19	C	1.82
850	14.43	5.69		

NOTE:
1) GASKETS THROUGHOUT


TOLERANCES UNLESS SPECIFIED		LEESON	ELECTRIC MOTORS GEARMOTORS AND DRIVES	DRAWN KMM 10/11/07
DEC	INCHES			
x	±.1		APPR	
.xx	±.03	TITLE	SCALE	3:8
.xxx	±.005	OUTLINE - 140TC FRAME	REF	028590
.xxxX	±.0005	TEFC - RIGID "C" FACE	FMF	121060.00
NO	REVISION	BY & DATE	CHK ANG ±1/2"	FINISH
	THIRD ANGLE PROJECTION		RFP	PREV
			SIZE	DRAWING NO
			B	028804
			REV	

VIEW FROM OUTSIDE OF MOTOR AT SWITCH END.



ROTATION FACING LEAD END	L1	L2	JOIN
C.C.W.	P1	T4, T5	T1, T8
C.W.	P1	T4, T8	T1, T5

* THIS LEAD MAY BE WHITE

			TOLERANCES UNLESS SPECIFIED		 ELECTRIC MOTORS GEARMOTORS AND DRIVES	DRAWN WLW 08/30/76		
			DEC.	INCHES		CHK WRK 09/24/76		
			.X	±.1		APPD		
08	ALTERNATE T5 LEAD MARKING WAS RED	RLW 8/6/02	.XX	±.01	TITLE	SCALE 1=1		
07	ADDED ALTERNATE T5 LEAD MARKING	RLW 5/31/02	KH	±.005	EXTERNAL WIRING DIAGRAM TYPE "K" W/ PROTECTOR	REF		
06	REDRAWN TO CAD	DBT 5/31/02	.XXXX	±.0005	MAT'L. DECAL - 004015	FMF 6K17FB4		
NO.	REVISION	BY & DATE	CHK	ANG ±1/2°	FINISH	PREV		
THIS DRAWING IN DESIGN AND DETAIL IS OUR PROPERTY AND MUST NOT BE USED EXCEPT IN CONNECTION WITH OUR WORK ALL RIGHTS OF DESIGN AND INVENTION ARE RESERVED THIS IS AN ELECTRONICALLY GENERATED DOCUMENT - DO NOT SCALE THIS PRINT			RFP	CAD FILE	00505603	SIZE A	DRAWING NO. 005056-03	REV. 08
			DIST	BRF-NLV				



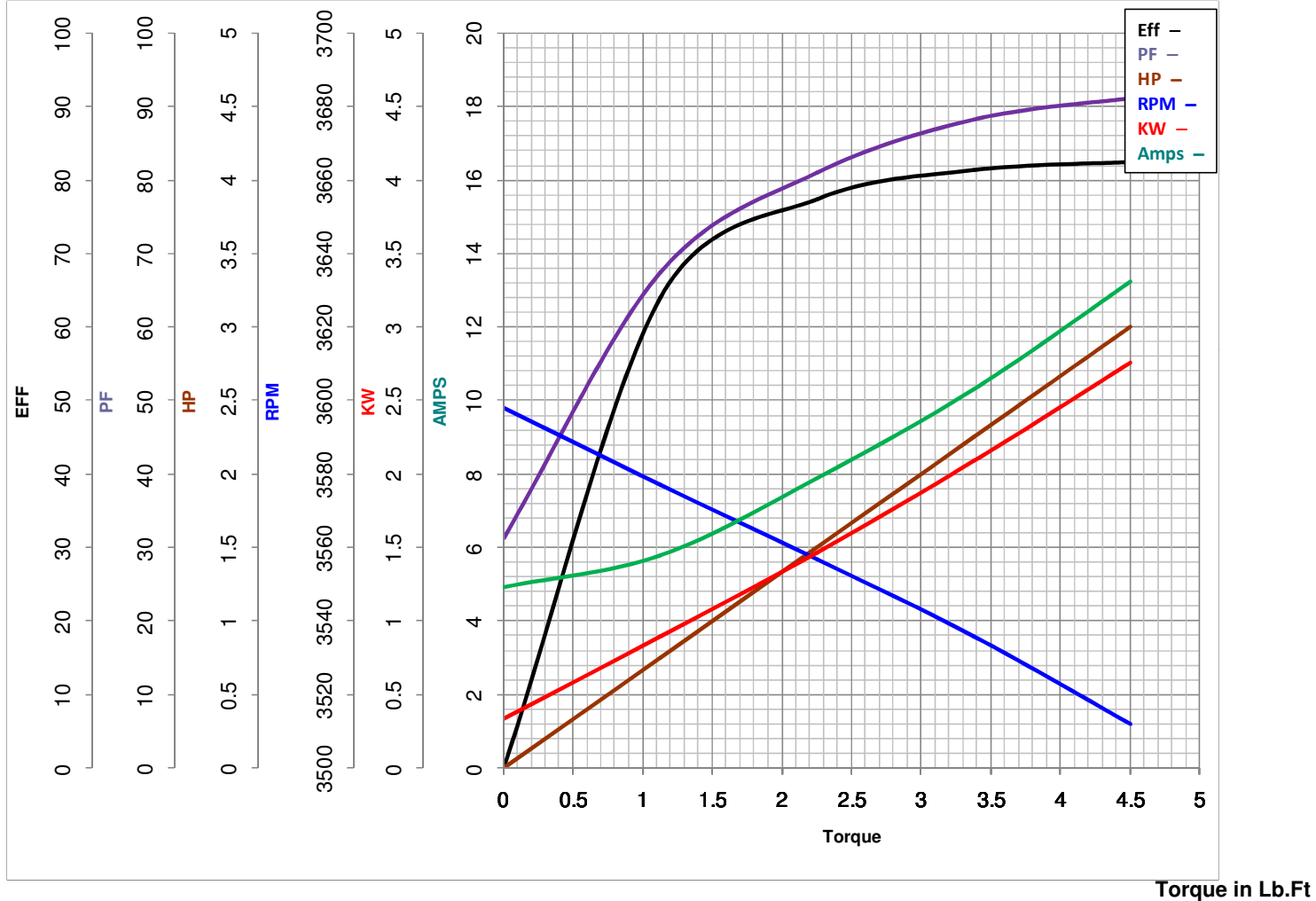
LEESON ELECTRIC CORPORATION
 TYPICAL PERFORMANCE CURVE for AC MOTOR

Model No 121060.00

Curve at 230 Volts HP 3.00 PHASE 1
60 HZ
3 HP VOLTS 230

Catalog No 121060.00

HZ 60 RPM 3450



FL TORQUE	<u>4.5</u>	Lb.Ft	FL AMPS	<u>13</u>	
BD TORQUE	<u>13.5</u>	Lb.Ft	PU TORQUE	<u>12.0</u>	Lb.Ft
LR TORQUE	<u>12.5</u>	Lb.Ft	LR AMPS	<u>100</u>	
WINDING	K632129-2		Date	<u>4/12/2018</u>	