

PRODUCT INFORMATION PACKET



Model No: P145K17FK10E

Catalog No: 121465.00

2HP..1740RPM.145.TEFC./V.1PH.60HZ.CONT.MANUAL.40C.1.0SF.RIGID C.GENERAL
PURPOSE.P145K17FK10E

Totally Enclosed Fan Cooled (TEFC)



Regal and Leeson are trademarks of Regal Beloit Corporation or one of its affiliated companies.

©2018 Regal Beloit Corporation, All Rights Reserved. MC017097E





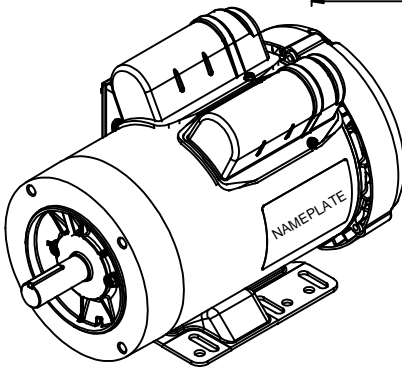
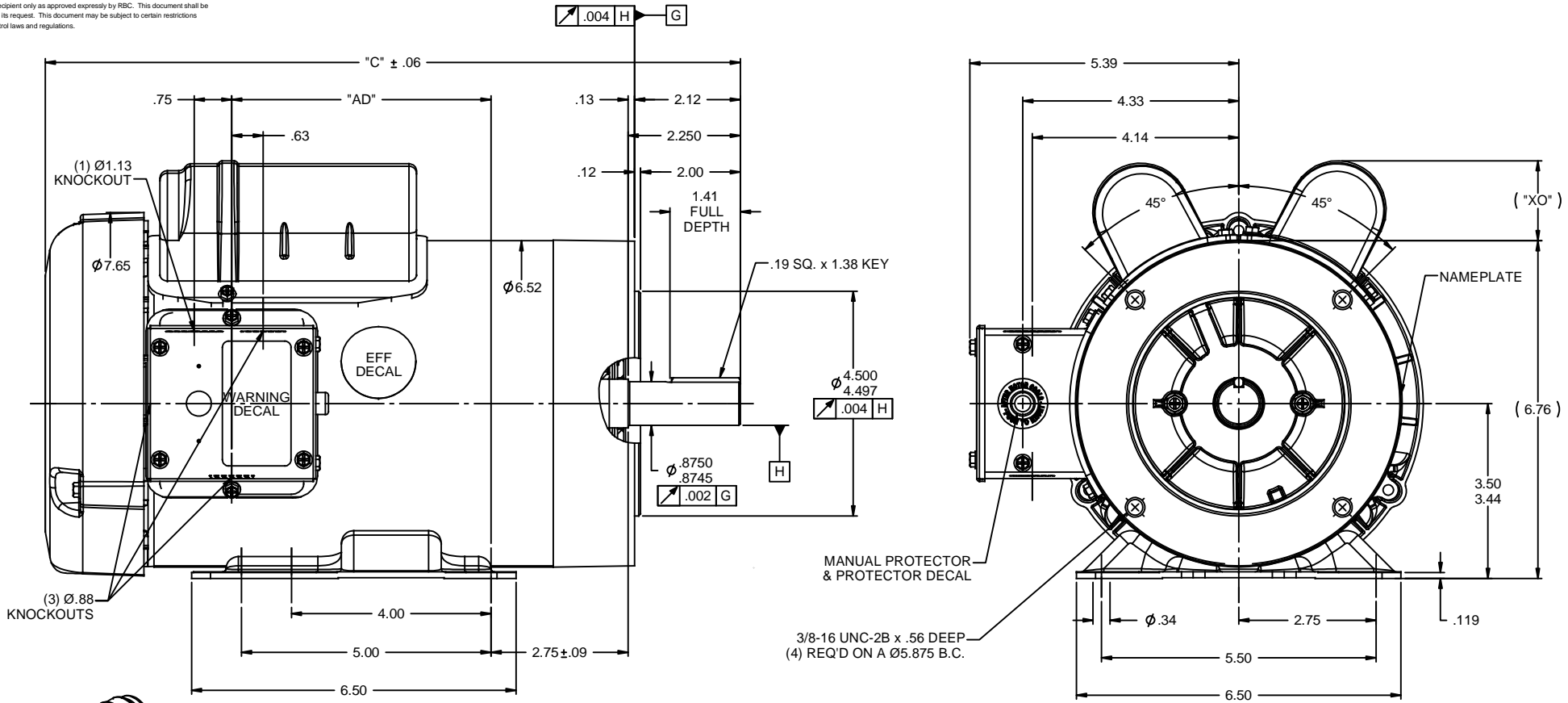
Nameplate Specifications

Output HP	2 Hp	Output KW	1.5 kW
Frequency	60 Hz	Voltage	115/208-230 V
Current	18.4/9.2 A	Speed	1740 rpm
Service Factor	1	Phase	1
Efficiency	82 %	Duty	Continuous
Insulation Class	B	Design Code	L
KVA Code	H	Frame	145TC
Enclosure	Totally Enclosed Fan Cooled	Overload Protector	Manual
Ambient Temperature	40 °C	Drive End Bearing Size	6205
Opp Drive End Bearing Size	6203	UL	Recognized (Not Protector)
CSA	Y	CE	N
IP Code	43		

Technical Specifications

Electrical Type	Capacitor Start Capacitor Run	Starting Method	Across The Line
Poles	4	Rotation	Selective Counterclockwise
Mounting	Rigid base	Motor Orientation	HORIZONTAL
Drive End Bearing	BALL	Opp Drive End Bearing	BALL
Frame Material	Rolled Steel	Shaft Type	T
Overall Length	13.93 in	Frame Length	8.00 in
Shaft Diameter	0.875 in	Shaft Extension	2.25 in
Assembly/Box Mounting	F1 ONLY		
Outline Drawing	028905-800B	Connection Diagram	005053.02

RBC PROPRIETARY AND CONFIDENTIAL INFORMATION
 This document is the property of REGAL BELOIT CORPORATION ("RBC") including its subsidiaries and divisions and contains proprietary information of RBC. This document is loaned on the express condition that neither it nor the information contained therein shall be disclosed to others without the express written consent of RBC, and that the information shall be used by the recipient only as approved expressly by RBC. This document shall be returned to RBC upon its request. This document may be subject to certain restrictions under U.S. export control laws and regulations.



DASH NO.	"C"	"AD"	CAP DASH	"XO"
700	12.93	4.19	A	1.15
750	13.43	4.69	B	1.60
800	13.93	5.19	C	1.60
850	14.43	5.69	C	1.82

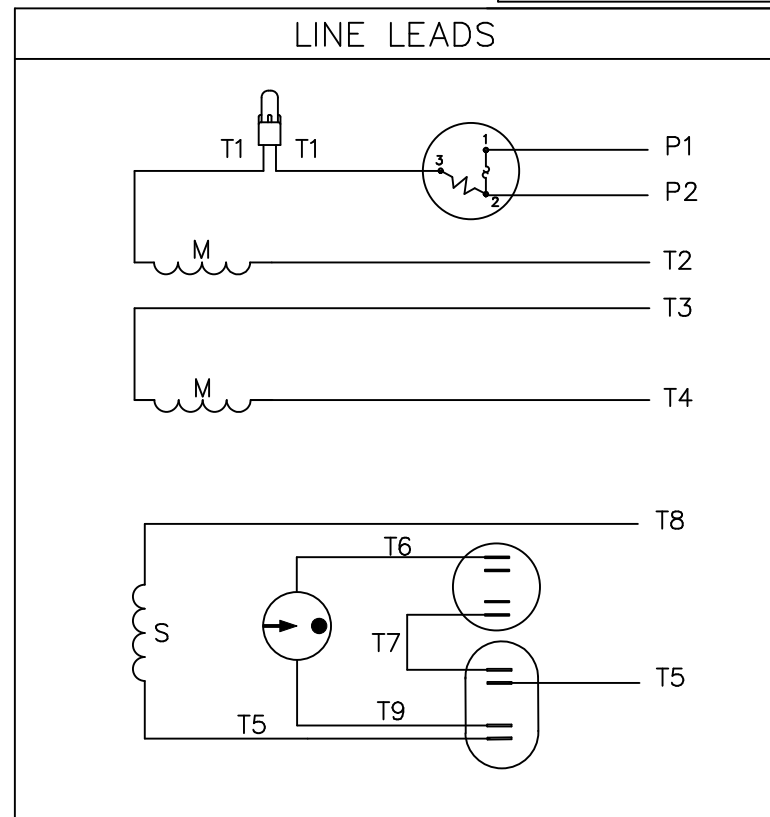
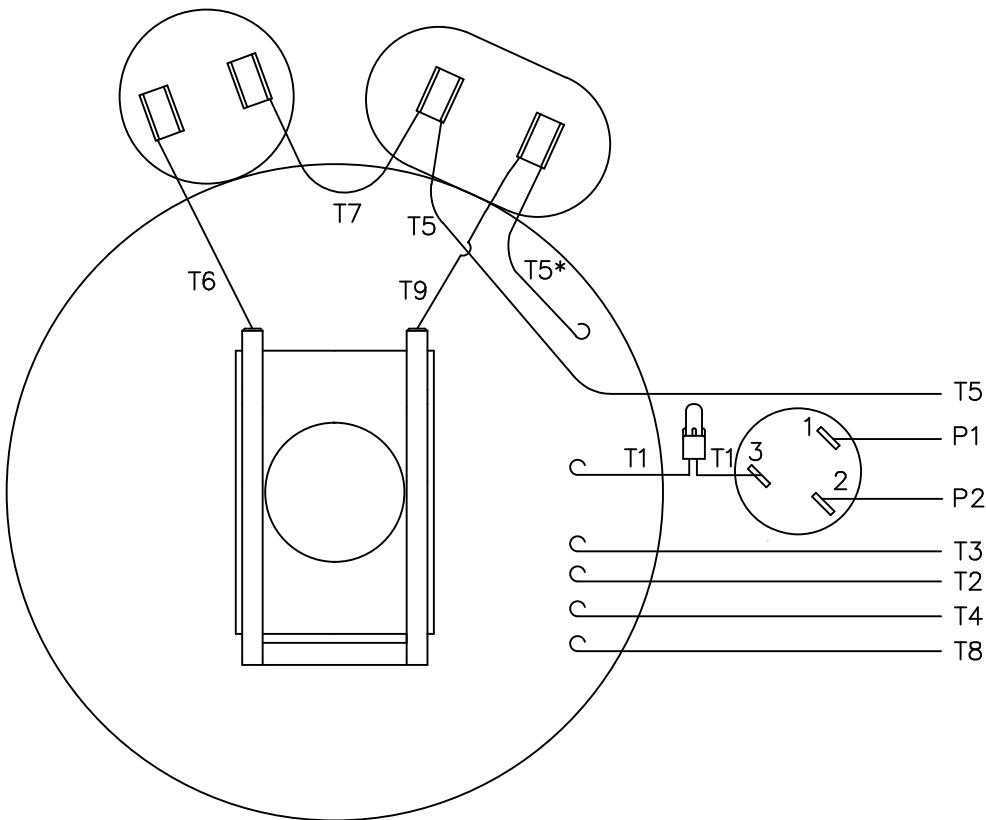
NOTE:
 1) GASKETS THROUGHOUT

REVISION		BY & DATE	CHK ANG ±1/2°	FINISH	PAGE OF	
THIRD ANGLE PROJECTION		RFP 11/24/08	PREV		SIZE B	DRAWING NO 028905
TOLERANCES UNLESS SPECIFIED:			TITLE OUTLINE - 145TC FRAME		DRAWN GRB 11/24/08	
DEC INCHES			TEFC - RIGID "C" FACE		CHK DJ 11/24/08	
X ±.1			MATL		APPR DJ 11/24/08	
.XX ±.03					SCALE 1:2	
.XXX ±.005					REF OL121465	
.XXXX ±.0005					FMF 121465.00	
NO					REV	



ELECTRIC MOTORS
 GEARMOTORS
 AND DRIVES

VIEW FROM OUTSIDE OF MOTOR AT SWITCH END.



	ROTATION FACING LEAD END	L1	L2	JOIN	INSULATE SEPARATELY
HIGH VOLT	C.C.W.	P1	T4 T5	T2,T3 T8	P2
	C.W.	P1	T4 T8	T2,T3 T5	P2
LOW VOLT	C.C.W.	P1	T2,T4 T5	P2,T3 T8	-----
	C.W.	P1	T2,T4 T8	P2,T3 T5	-----

* THIS LEAD MAY BE WHITE

NO.	REVISION	BY & DATE	CHK	ANG	TOLERANCES UNLESS SPECIFIED	
					DEC.	INCHES
					.X	±.1
					.XX	±.01
04	ADDED "*" TO T5	RLW 7/22/02			.XXX	±.005
03	REDRAWN ON CAD	DBT 05/27/97			.XXXX	±.0005

REGAL-BELOIT *Motor Technologies Group*

TITLE: EXTERNAL WIRING DIAGRAM
TYPE "K" W/PROTECTOR

MAT'L: DECAL 004011

FINISH: _____

DRAWN: ADH 06/16/76
CHK: WRK 06/30/76
APPD: _____
SCALE: 1=1
REF: _____
FMF: 6K17FB8A
PREV: _____

THIS DRAWING IN DESIGN AND DETAIL IS OUR PROPERTY AND MUST NOT BE USED EXCEPT IN CONNECTION WITH OUR WORK ALL RIGHTS OF DESIGN AND INVENTION ARE RESERVED THIS IS AN ELECTRONICALLY GENERATED DOCUMENT - DO NOT SCALE THIS PRINT		RFP	CAD FILE	00505302	SIZE	DRAWING NO.	REV.
		DIST			A	005053-02	04

