

# PRODUCT INFORMATION PACKET

**marathon**<sup>®</sup>  
Motors

Model No: 056T34F99012  
Catalog No: D395A  
2,3600,TEFC,56HC,3/60/230/460  
Totally Enclosed Fan Cooled (TEFC)



Regal and Marathon are trademarks of Regal Beloit Corporation or one of its affiliated companies.  
©2018 Regal Beloit Corporation, All Rights Reserved. MC017097E

**REGAL**<sup>®</sup>



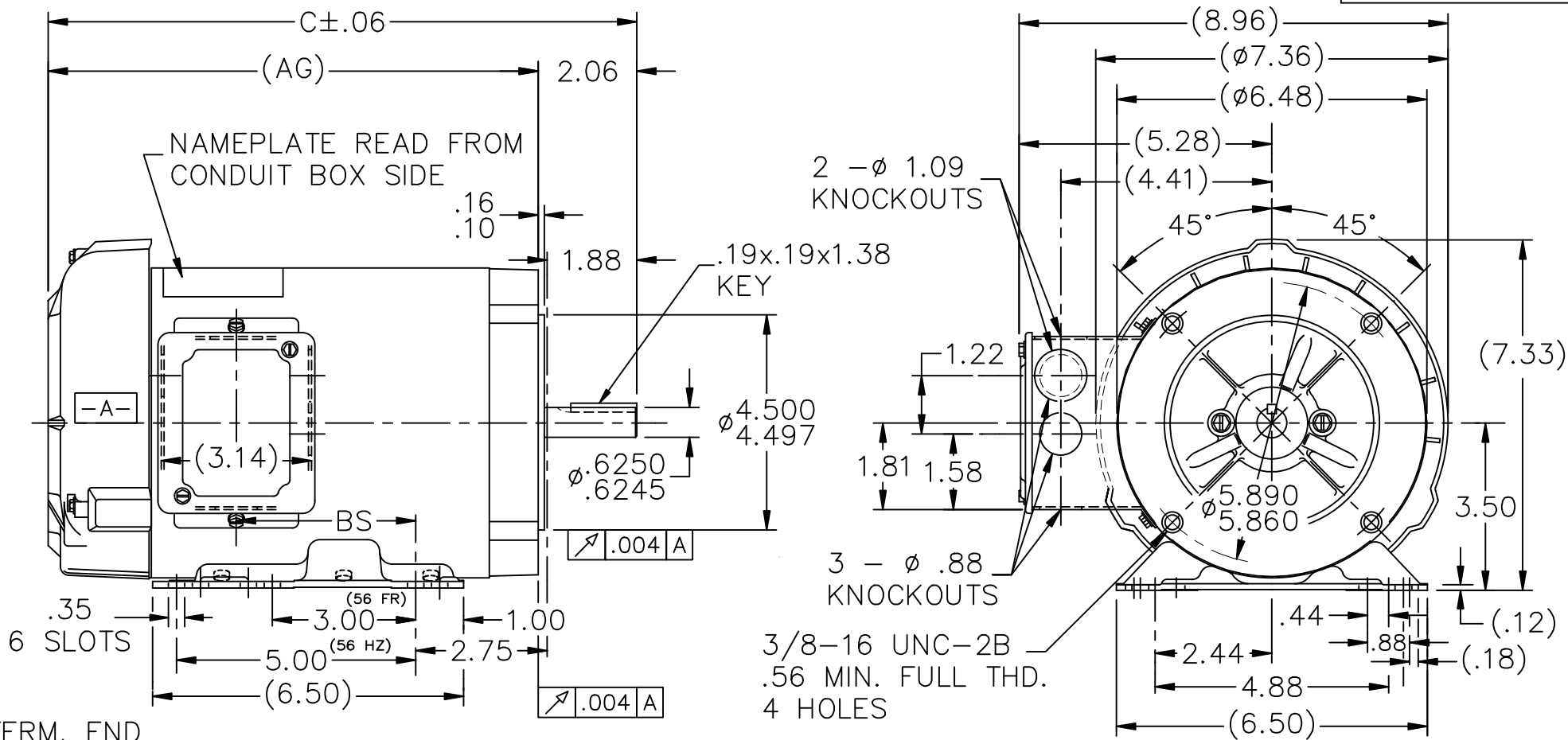
### Nameplate Specifications

Output HP	<b>2 Hp</b>	Output KW	<b>1.5 kW</b>
Frequency	<b>60 Hz</b>	Voltage	<b>230/460 V</b>
Current	<b>5.0/2.5 A</b>	Speed	<b>3450 rpm</b>
Service Factor	<b>1.15</b>	Phase	<b>3</b>
Efficiency	<b>85.5 %</b>	Duty	<b>Continuous</b>
Insulation Class	<b>F</b>	Design Code	<b>B</b>
KVA Code	<b>K</b>	Frame	<b>56HC</b>
Enclosure	<b>Totally Enclosed Fan Cooled</b>	Overload Protector	<b>No</b>
Ambient Temperature	<b>40 °C</b>	Drive End Bearing Size	<b>6205</b>
Opp Drive End Bearing Size	<b>6203</b>	UL	<b>Recognized</b>
CSA	<b>Y</b>	CE	<b>Y</b>
IP Code	<b>43</b>		

### Technical Specifications

Electrical Type	<b>Squirrel Cage Induction Run</b>	Starting Method	<b>Across The Line</b>
Poles	<b>2</b>	Rotation	<b>Reversible</b>
Mounting	<b>Bolt-on Base</b>	Motor Orientation	<b>HORIZONTAL OR UP OR DOWN</b>
Drive End Bearing	<b>BALL</b>	Opp Drive End Bearing	<b>BALL</b>
Frame Material	<b>Rolled Steel</b>	Shaft Type	<b>NEMA 56</b>
Overall Length	<b>9.16 in</b>	Frame Length	<b>9.06 in</b>
Shaft Diameter	<b>0.625 in</b>	Shaft Extension	<b>2.06 in</b>
Assembly/Box Mounting	<b>F1 ONLY</b>		
Outline Drawing	<b>A-100140-906</b>	Connection Diagram	<b>EE7308</b>

This is an uncontrolled document once printed or downloaded and is subject to change without notice. Date Created: 10/30/2018



DASH	FRAME	C	AG	BS	DASH	FRAME	C	AG	BS
706	56-70	12.31	10.25	3.75	906		14.31	12.25	5.75
756	"-75	12.81	10.75	4.25	956		14.81	12.75	6.25
806	"-80	13.31	11.25	4.75					
856	"-85	13.81	11.75	5.25					

- NOTES:
1. CONDUIT BOX CAN BE ROTATED 180°
  2. BASE IS REMOVEABLE

		TOLERANCES UNLESS SPECIFIED		DRAWN BLR 05-27-1997						
		DEC.	INCHES	CHK	ML 05-27-1997					
		.X	±.1	APPD	GK 05-27-1997					
5	FIXED TABULATED CHART	TAT	03-21-2005	ML	.XX ±.03	TITLE OUTLINE	SCALE	5=16		
4	REDRAWN IN AUTOCAD	TAT	06-29-2004	ML	.XXX ±.005	56 FR. - BB - TEFC - 3 $\phi$ - 'C' FACE	REF			
3	REDRAWN ON CADD	BLR	05-27-1997		.XXXX ±.0005	MAT'L.	FMF			
NO.	REVISION	BY & DATE	CHK	ANG	±7'30"	FINISH	PREV			
THIS DRAWING IN DESIGN AND DETAIL IS OUR PROPERTY AND MUST NOT BE USED EXCEPT IN CONNECTION WITH OUR WORK ALL RIGHTS OF DESIGN AND INVENTION ARE RESERVED THIS IS AN ELECTRONICALLY GENERATED DOCUMENT - DO NOT SCALE THIS PRINT		RFP		CAD FILE	100140	SIZE	DRAWING NO.	PAGE	OF	REV.
		DIST	WP	A			100140			5

EE7308

THREE PHASE  
DUAL VOLTAGE MOTOR



VIEW OF TERMINAL END

REF.  
WINDING DIAGRAM

T8Y, T2Y, T2BL, T4BX, T2EC, T2G  
T6BZ, T2B, T6BL, T4AV, T6B, T4B

OPTIONAL CORD  
CONNECTION

L1 — WHITE  
L2 — RED  
L3 — BLACK

NO.	REVISION	BY & DATE	CHK	ANG	TOLERANCES UNLESS SPECIFIED		FINISH	DRAWN RM 11/20/1990				
					DEC.	INCHES						
5	CHG TO REGAL LOGO	SL 09/10/2015	AB					CHK ML 11/21/1990				
4	REVISED IEC NOTATIONS	MSG 11/15/2011	CMN	.X	±.1			APPD SAS 04/24/2003				
3	ADDED IEC NOTATIONS... (U1), (V1) ETC. MU95194	MSG 5/10/2010	MJS	.XX	±.02			SCALE 1=1				
2	ADDED THE OPTIONAL CORD CONNECTION MU46318	RDH 04/24/2003	DRS	.XXX	±.005		TITLE CONNECTION DIAGRAM 3Ø - DUAL VOLTAGE MOTOR	REF				
1	REDRAWN	RM 11/20/1990		.XXXX	±.0005		MAT'L.	FMF				
					±7'30"			PREV				
THIS DRAWING IN DESIGN AND DETAIL IS OUR PROPERTY AND MUST NOT BE USED EXCEPT IN CONNECTION WITH OUR WORK ALL RIGHTS OF DESIGN AND INVENTION ARE RESERVED THIS IS AN ELECTRONICALLY GENERATED DOCUMENT - DO NOT SCALE THIS PRINT							RFP	CAD FILE ee7308	SIZE A	DRAWING NO. EE7308	PAGE OF 5	REV. 5
							DIST WP					





P.O. BOX 8003  
WAUSAU, WI 54401-8003  
PH. 715-675-3311

DATA VOLTS: 460

CERTIFICATION DATA SHEET

CUSTOMER P.O. #:   
 ORDER #: EE7308 REFERENCE MODEL #: 56T34F99012  
 CONN. DIAGRAM: A-100140-906 CAT #: D395A  
 OUTLINE: ZT2142 FR 3 CUSTOMER PART #:   
 WINDING: MOUNTING: F1 ONLY  
 SPEED:   
 TYPICAL MOTOR PERFORMANCE DATA

HP	KW	SYNC RPM	FL RPM	FRAME	ENCLOSURE	TYPE	KVA CODE	DESIGN
2	1.5	3600	3500	56HC	TEFC	TEF	K	B

PH	HZ	VOLTS	AMPS	START TYPE	DUTY	INSL	S.F.	AMB	ELEV.
3	60/50	230/460#190/380	5/2.5&4.6/2.3	ACROSS-THE LINE	CONT	F	1.15	40	3300
	F.L. EFF	85.5	3/4 LD EFF	85.9	1/2 LD EFF	84.0	GTD EFF	ELECT. TYPE	
	F.L. PF	86.0	3/4 LD PF	82.0	1/2 LD PF	72.5	84.0	SQ CAGE IND RUN	

F.L. TORQUE	LR AMPS @ 460 V	L.R. TORQUE	B.D. TORQUE	F.L. RISE (°C)		
3.0 LB-FT	21.7	9.5 LB-FT	12.2 LB-FT	407%		
@ 3 FT.	POWER	ROTOR WK <sup>2</sup>	MAX. LOAD WK <sup>2</sup>	SAFE STALL TIME	START/SHOUR	MOTOR WGT
69 DBA	78 DBA	0.07 LB-FT <sup>2</sup>	4 LB-FT <sup>2</sup>	20 SEC.	2	80 LB.

\*\*\* SUPPLEMENTAL INFORMATION \*\*\*

DE BRACKET TYPE	ODE BRACKET TYPE	MOUNT TYPE	MOTOR ORIENTATION	SEVERE DUTY	HAZARDOUS LOCATION	DRIP COVER	SCREENS	PAINT
C-FACE	BRAKE	BOLT-ON	ZONITAL OR UP OR D	NO	NONE	YES	NONE	GRAY (POWDER)

BEARINGS	GREASE	SHAFT TYPE	SPECIAL DE	SPECIAL ODE	SHAFT	MATERIAL	FRAME MATERIAL
DE BALL 6203	POLYREX EM	STANDARD 56	NONE	NONE	1144	STRESSPROOF (C-223)	ROLLED STEEL

THERMOSTATS	PROTECTORS	WDG RTD's	BRG RTD's	THERMISTORS	CONTROL	SPACE HEATERS
NONE	NOT	NONE	NONE	NONE	FALSE	NA

R1 (ohms/ph)	R2 (ohms/ph)	X1 (ohms/ph)	X2 (ohms/ph)	Xm (ohms/ph)	VIBRATION (in/sec)	FLOAT
4.402	3.124	6.532	5.538	208.74	0.150	ODE

N	INVERTER TORQUE: NONE	
O	INV. HP SPEED RANGE: NONE	
T	ENCODER: NONE	
E	BRAKE: NONE	
S	FT-LB: NONE	
*	VOLTAGE: NONE	

PREPARED BY: FAREEDA DUDEKULA  
 DATE: 8/21/2018  
 UL: V-INS, CONST UL REC  
 HZ:

Data Sheet

56734F99012



Submital

Data @ 460 V

Date: 8/21/2018  
 Customer: \_\_\_\_\_  
 Attention: \_\_\_\_\_  
 Submitted by: FAREEDA DUDEKULA

Motor Load Data

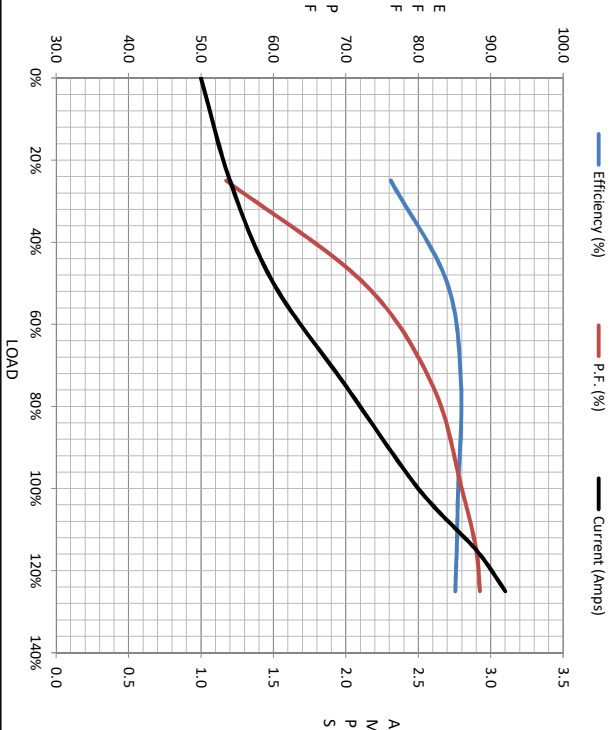
Load	0%	25%	50%	75%	100%	115%	125%	LR
Current (Amps)	1.00	1.20	1.50	2.00	2.50	2.90	3.1	21.7
Torque (ft-lb)	0.00	0.74	1.48	2.23	3.0	3.5	3.8	9.5
RPM	3600	3575	3550	3525	3500	3,485	3470	0
Efficiency (%)		76.2	84.0	85.9	85.5	85.3	85.1	
P.F. (%)	20.0	53.5	72.5	82.0	86.0	88.0	88.5	42.0

Motor Speed Data

	LR	Pull-Up	BD	Rated	Idle
Speed (RPM)	0	1500	2615	3600	3600
Current (Amps)	21.7	20.5	14.5	2.50	1.00
Torque (ft-lb)	9.5	9.4	12.2	3.0	0.00

Information Block

HP	2.0			
Sync. RPM	3600			
Frame	1451B2TFC6080			
Enclosure	TEFC			
Construction	TFR			
Voltage	230/460#190/380 V			
Frequency	60 Hz			
Design	B			
LR Code letter	K			
Service Factor	1.15			
Temp Rise @ FL	36 °C			
Duty	CONT			
Ambient	40 °C			
P Elevation	1,000 feet			
Ret/Shaft wk <sup>2</sup>	0.07 Lb-Ft <sup>2</sup>			
Ret Wdg	ZT2142 FR			
Sound Pressure @ 1M	69 dBA			
VFD Rating	NONE			
Outline Dwg	A-100140-906			
Conn. Diag	EE7308			
Additional Specifications:				
0				
0				
R1	R2	X1	X2	Xm
4.4020	3.1240	6.5320	5.5380	208.7400



Speed - Torque Curve

