

# PRODUCT INFORMATION PACKET



Model No: A6C17FB4L

Catalog No: 110017.00

3/4HP..1725RPM.56.TEFC./V.1PH.60HZ.CONT.AUTOMATIC.40C.1.15SF.RIGID.GENERAL  
PURPOSE.A6C17FB4L

Totally Enclosed Fan Cooled (TEFC)



Regal and Leeson are trademarks of Regal Beloit Corporation or one of its affiliated companies.

©2018 Regal Beloit Corporation, All Rights Reserved. MC017097E





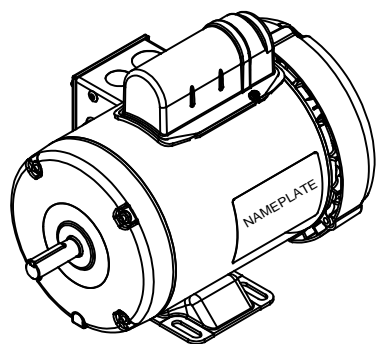
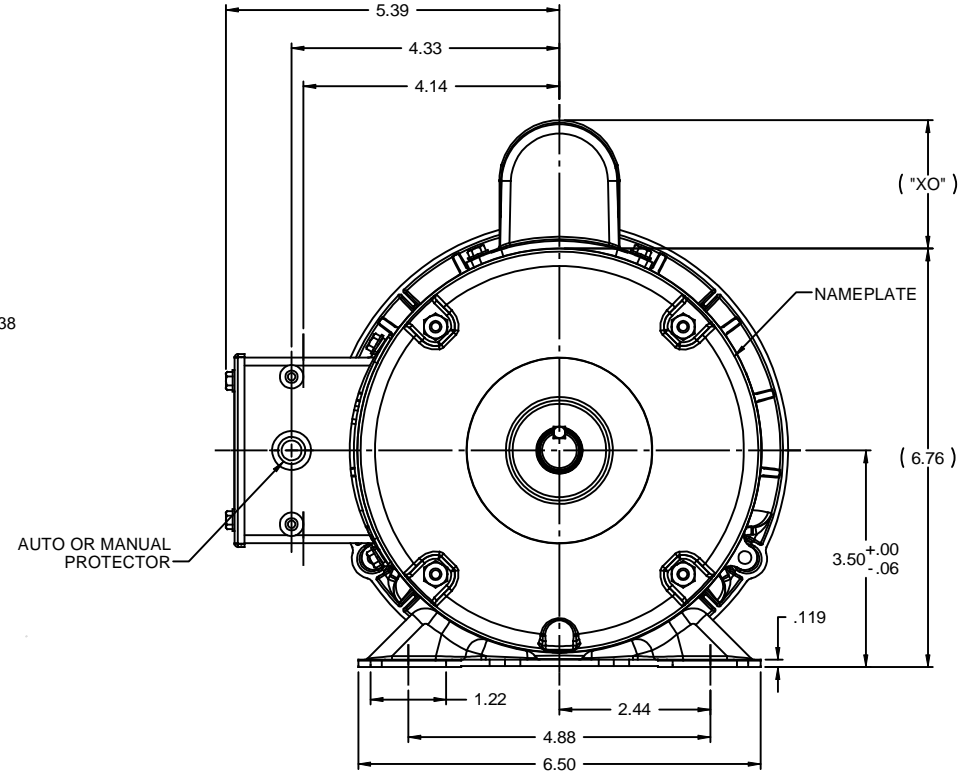
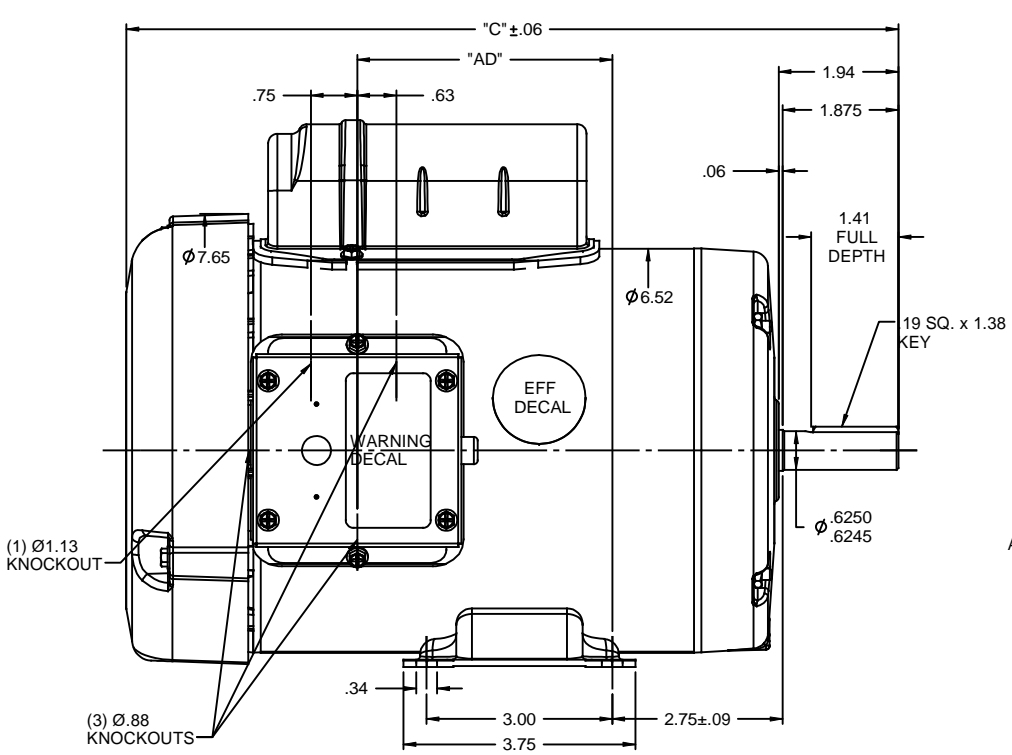
### Nameplate Specifications

Output HP	<b>0.75 Hp</b>	Output KW	<b>0.56 kW</b>
Frequency	<b>60 Hz</b>	Voltage	<b>115/208-230 V</b>
Current	<b>10.8/5.4 A</b>	Speed	<b>1725 rpm</b>
Service Factor	<b>1.15</b>	Phase	<b>1</b>
Efficiency	<b>70 %</b>	Duty	<b>Continuous</b>
Insulation Class	<b>B</b>	Design Code	<b>N</b>
KVA Code	<b>L</b>	Frame	<b>56</b>
Enclosure	<b>Totally Enclosed Fan Cooled</b>	Overload Protector	<b>Automatic</b>
Ambient Temperature	<b>40 °C</b>	Drive End Bearing Size	<b>6203</b>
Opp Drive End Bearing Size	<b>6203</b>	UL	<b>Recognized</b>
CSA	<b>Y</b>	CE	<b>N</b>
IP Code	<b>43</b>		

### Technical Specifications

Electrical Type	<b>Capacitor Start Induction Run</b>	Starting Method	<b>Across The Line</b>
Poles	<b>4</b>	Rotation	<b>Selective Counterclockwise</b>
Mounting	<b>Rigid base</b>	Motor Orientation	<b>HORIZONTAL</b>
Drive End Bearing	<b>BALL</b>	Opp Drive End Bearing	<b>BALL</b>
Frame Material	<b>Rolled Steel</b>	Shaft Type	<b>NEMA 56</b>
Overall Length	<b>11.48 in</b>	Frame Length	<b>6.00 in</b>
Shaft Diameter	<b>0.625 in</b>	Shaft Extension	<b>1.88 in</b>
Assembly/Box Mounting	<b>F1 ONLY</b>		
Outline Drawing	<b>028879-600B</b>	Connection Diagram	<b>005003.03</b>

RBC PROPRIETARY AND CONFIDENTIAL INFORMATION  
 This document is the property of REGAL BELOIT CORPORATION ("RBC") including its subsidiaries and divisions and contains proprietary information of RBC. This document is loaned on the express condition that neither it nor the information contained therein shall be disclosed to others without the express written consent of RBC, and that the information shall be used by the recipient only as approved expressly by RBC. This document shall be returned to RBC upon its request. This document may be subject to certain restrictions under U.S. export control laws and regulations.

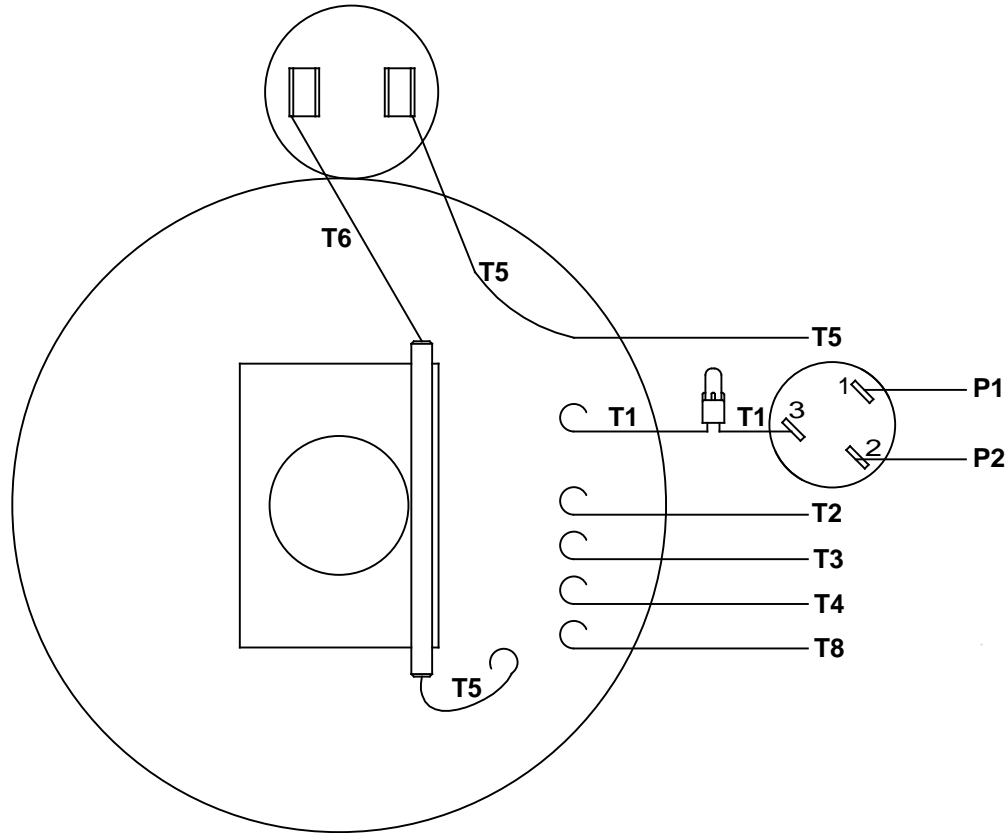


DASH NO.	"C"	"AD"	CAP DASH	"XO"
500	10.48	2.13	A	1.61
550	10.98	2.63	B	2.08
600	11.48	3.13	C	2.32
650	11.98	3.63		
700	12.48	4.13		

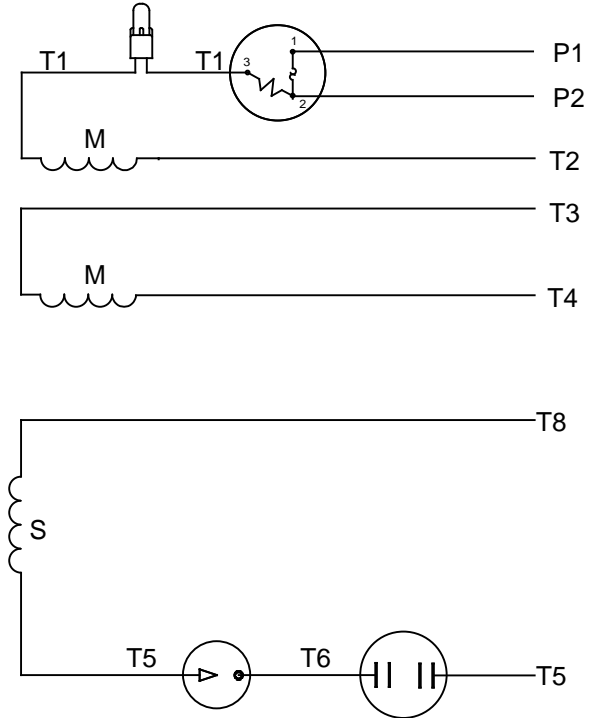
NOTES:  
 1) GASKETS THROUGHOUT

		TOLERANCES UNLESS SPECIFIED:		<b>LEESON</b> ELECTRIC MOTORS GEARMOTORS AND DRIVES	DRAWN DJ 09/04/08
		DEC	INCHES		CHK
		x	±.1	APPR	
		.xx	±.03	TITLE	OUTLINE - 56 FRAME
		.xxx	±.005	REF	TEFC - RIGID
01	ADD "AUTO OR MAN. PROT." PER ISAAC 09-5354	LST	12/16/2009	XX	xxxx ±.0005
		CHK	ANG ±1/2"	FINISH	GENERAL PURPOSE
		RFP		PREV	
		REV		SIZE	DRAWING NO
		THIRD ANGLE PROJECTION		<b>B</b>	<b>028879</b>
					REV
					<b>01</b>

# VIEW FROM OUTSIDE OF MOTOR AT SWITCH END



# LINE LEADS



RBC PROPRIETARY AND CONFIDENTIAL INFORMATION  
 This document is the property of REGAL BELOIT CORPORATION ("RBC") including its subsidiaries and divisions and contains proprietary information of RBC. This document is loaned on the express condition that neither it nor the information contained therein shall be disclosed to others without the express written consent of RBC, and that the information shall be used by the recipient only as approved expressly by RBC. This document shall be returned to RBC upon its request. This document may be subject to certain restrictions under U.S. export control laws and regulations.

	ROTATION FACING LEAD END	L1	L2	JOIN	INSULATE SEPARATELY
HIGH VOLT	C.C.W.	P1	T4 T5	T2,T3 T8	P2
	C.W.	P1	T4 T8	T2,T3 T5	P2
LOW VOLT	C.C.W.	P1	T2,T4 T5	P2,T3 T8	---
	C.W.	P1	T2,T4 T8	P2,T3 T5	---

		TOLERANCES UNLESS SPECIFIED		LEESON	ELECTRIC MOTORS GEARMOTORS AND DRIVES	DRAWN		
		DEC	INCHES			WLV	08/20/79	
		.X	±.1			CHK	ADN	08/27/76
		.XX	±.01			APPR	WRK	08/27/76
06	REDRAWN IN SOLIDWORKS	VJB	7/22/2011	.XXX	±.005	TITLE	EXTERNAL WIRING DIAGRAM TYPE "C" W/PROTECTOR	
05	REDRAWN ON CAD	DBT	05/27/97	.XXXX	±.0005	MAT'L	DECAL - 004011	
NO	REVISION	BY & DATE	CHK	ANG	±1/2°	FINISH	SCALE	1:1
			RFP	PREV			REF	
			NETWORK FILE NAME	00500303		SIZE	DRAWING NO	
						A	005003-03	
							PAGE	OF
							REV	06





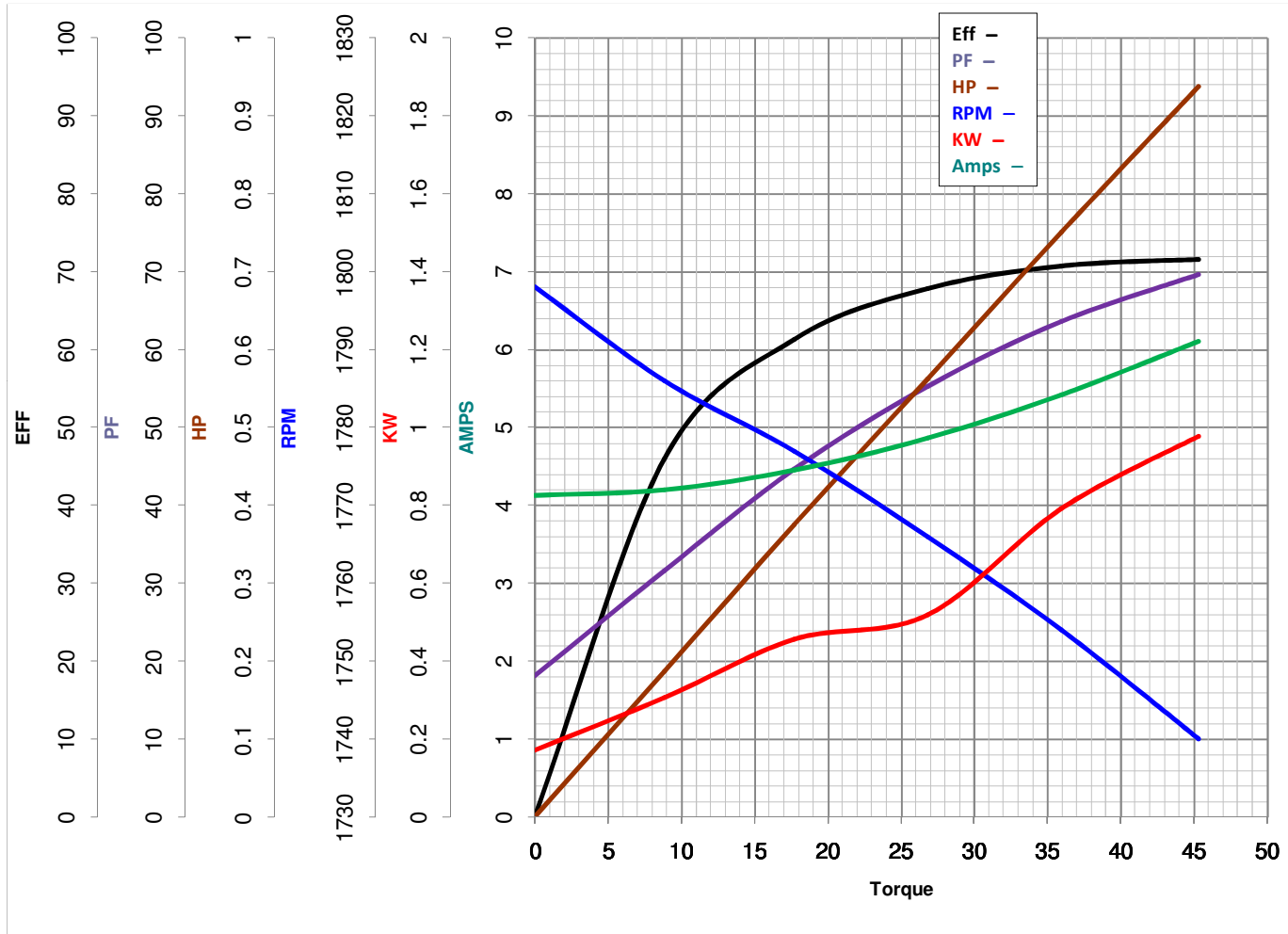
**LEESON ELECTRIC CORPORATION**  
TYPICAL PERFORMANCE CURVE for AC MOTOR

Model No 110017.00

Catalog No 110017.00

Curve at 230 Volts      HP 0.76      PHASE 1  
60 HZ  
0.75 HP      VOLTS 115/208-230

HZ 60      RPM 1725



Torque in Oz.Ft

FL TORQUE 35.94 Oz.Ft  
BD TORQUE 98.5 Oz.Ft  
LR TORQUE 114.5 Oz.Ft

FL AMPS 10.8/5.4  
PU TORQUE 84.2 Oz.Ft  
LR AMPS 30.1

WINDING C634258-3

Date 3/27/2018