



A Regal Brand

Catalog # : 199091.00
Product Type: AC MOTOR
Description:

Model: 199091.00
Stock: Y

Quote: Price:

Date: 11/06/2018

Hazardous Loc
Explosion Proof
Class
Class

NONE

Temp Op Code
GROUP
GROUP

Brake Motors
FORCE
VDC
ADC

Brake Coil OHMs @25 C

Performance
Torque UOM
Torque
CURRENT (amps)
Efficiency (%)
PowerFactor

Inertia (WK²)

Load Curve Data @60/50 HzVolts,15Horsepower

Load	Amps	KW	RPM	Torque	Eff	PF	Rise By Resis	Frame Rise
0.0	5.2	0.5	3600	0.0	0.0	5.5	0.0	-
0.25	6.6	3.1	3575	5.5	90.2	60.0	0.0	-
0.5	9.5	6.1	3550	11.1	91.0	79.0	0.0	-
0.75	13.2	9.2	3520	16.8	91.7	86.0	0.0	-
1.0	17.5	12.3	3490	22.6	91.0	88.0	55.0	-
1.15	20.2	14.3	3475	26.0	90.2	89.0	75.0	-
1.25	22.0	15.6	3455	28.6	89.5	89.0	90.0	-

SOURCE: CALCULATED GROUP: 1

Load Curve Data @60/50HzVolts,15Horsepower

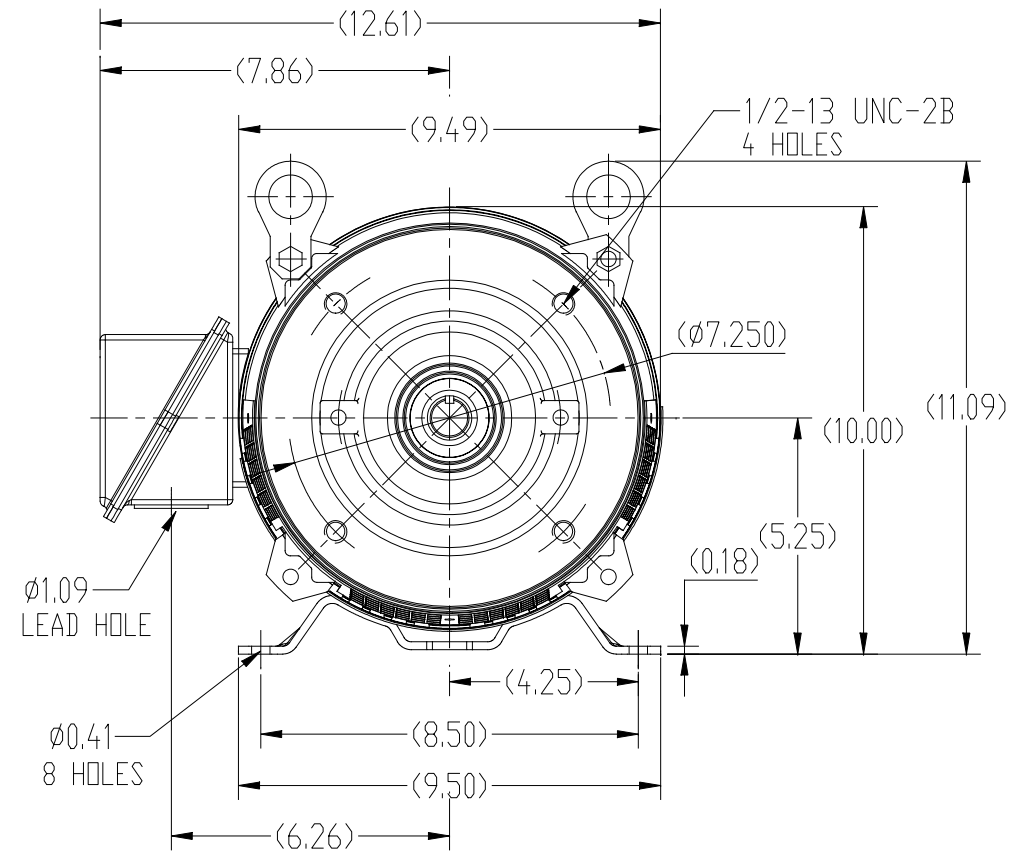
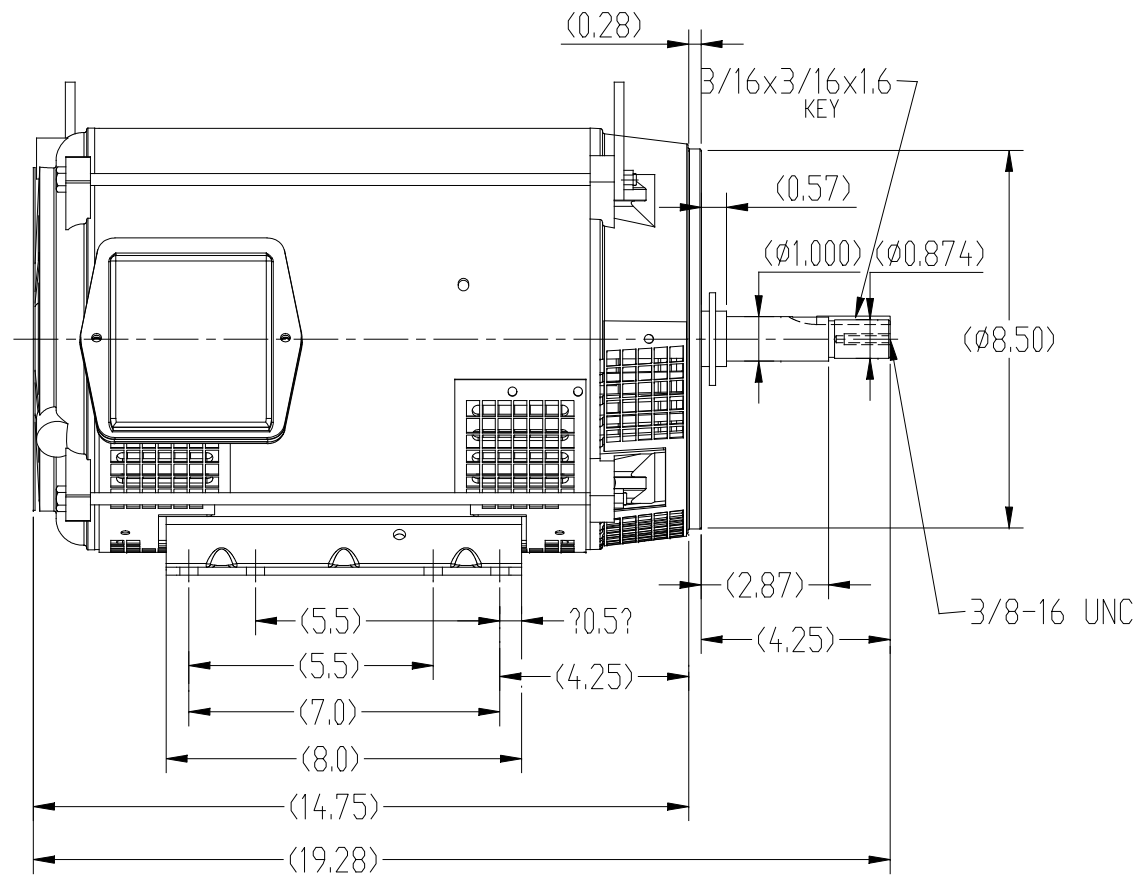
Load	Amps	KW	RPM	Torque	Eff	PF	Rise By Resis	Frame Rise
------	------	----	-----	--------	-----	----	---------------	------------

Load Curve Data Not Available

Quote: Price:

Date: 11/06/2018

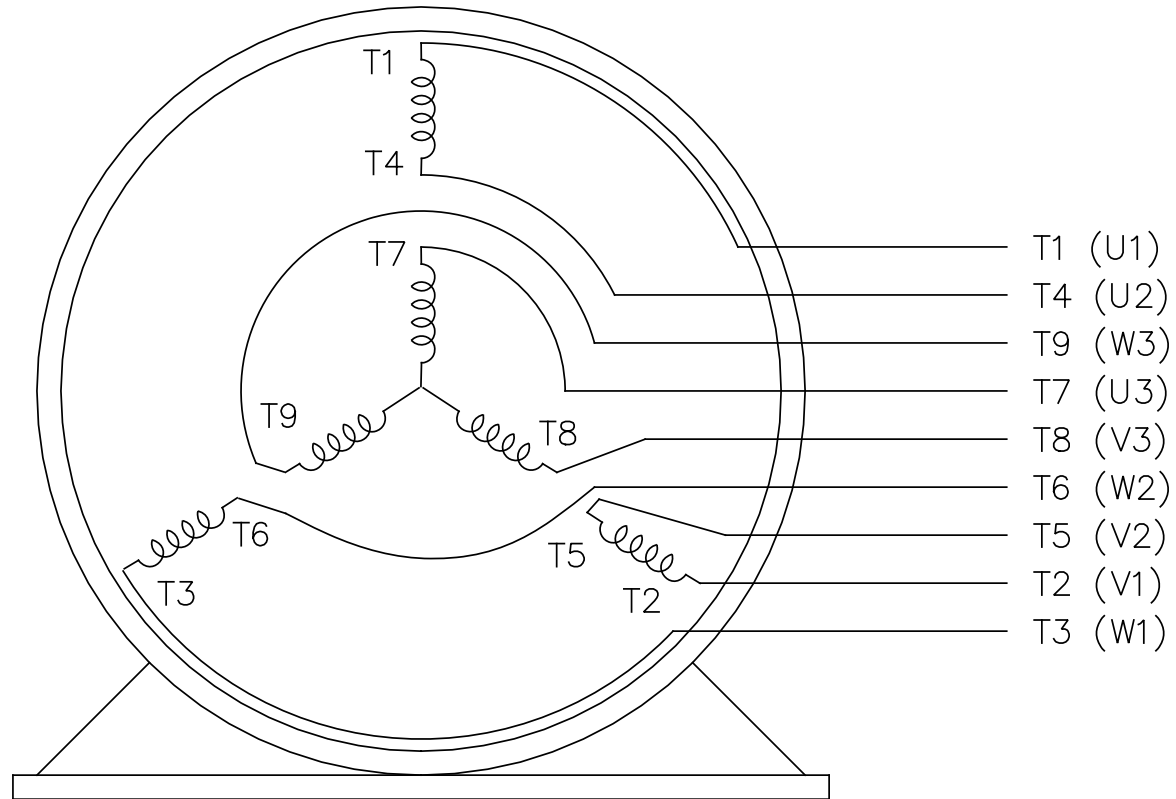
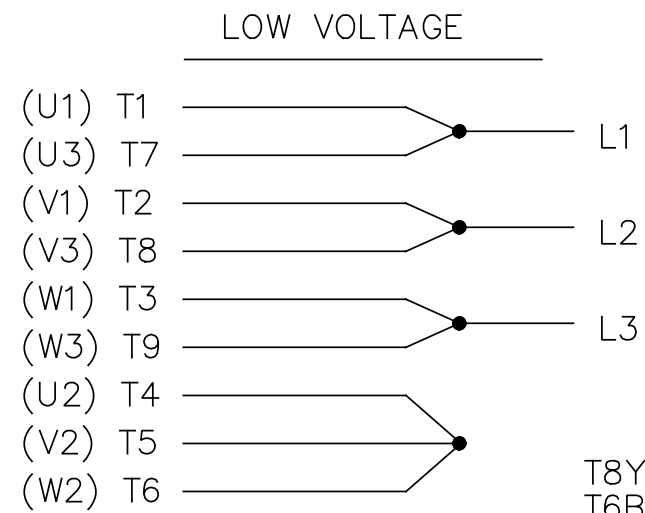
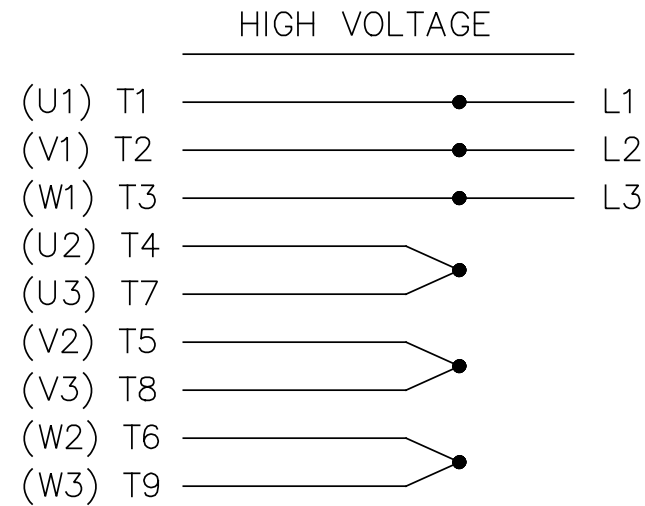
SS620860



		TOLERANCES UNLESS SPECIFIED		REGAL-BELOIT CORPORATION		DRAWN ZYH 6-8-2010	
		DEC.	INCHES	REGAL-BELOIT		CHK HZJ 6-8-2010	
		.X	±.1			APPD CL 6-8-2010	
		.XX	±.03	TITLE		SCALE 1=5	
		.XXX	±.005	213/215T FR-JM-ROLLED STEEL		REF	
A	RELEASED FOR PRODUCTION ECO-0093138	WGJ	09-06-17	EMH	.XXX	±.0005	MAT'L.
NO.	REVISION	BY	DATE	CHK	ANG	±1/2	FINISH
THIS DRAWING IN DESIGN AND DETAIL IS OUR PROPERTY AND MUST NOT BE USED EXCEPT IN CONNECTION WITH OUR WORK ALL RIGHTS OF DESIGN AND INVENTION ARE RESERVED THIS IS AN ELECTRONICALLY GENERATED DOCUMENT - DO NOT SCALE THIS PRINT				RFP	CAD FILE SS620860		SIZE DRAWING NO.
				DIST			B SS620860
						REV. A	

THREE PHASE
DUAL VOLTAGE MOTOR

EE7308



T1 (U1)
T4 (U2)
T9 (W3)
T7 (U3)
T8 (V3)
T6 (W2)
T5 (V2)
T2 (V1)
T3 (W1)

VIEW OF TERMINAL END

REF.
WINDING DIAGRAM

T8Y, T2Y, T2BL, T4BX, T2EC, T2G
T6BZ, T2B, T6BL, T4AV, T6B, T4B

OPTIONAL CORD
CONNECTION

L1 WHITE
L2 RED
L3 BLACK

NO.	REVISION	BY & DATE	CHK	ANG	TOLERANCES UNLESS SPECIFIED	FINISH	PREV		
5	CHG TO REGAL LOGO	SL 09/10/2015	AB	DEC.	INCHES		DRAWN RM 11/20/1990		
4	REVISED IEC NOTATIONS	MSG 11/15/2011	CMN	.X	±.1		CHK ML 11/21/1990		
3	ADDED IEC NOTATIONS... (U1), (V1) ETC. MU95194	MSG 5/10/2010	MJS	.XX	±.02	TITLE CONNECTION DIAGRAM	APPD SAS 04/24/2003		
2	ADDED THE OPTIONAL CORD CONNECTION MU46318	RDH 04/24/2003	DRS	.XXX	±.005	3φ - DUAL VOLTAGE MOTOR	SCALE 1=1		
1	REDRAWN	RM 11/20/1990		.XXXX	±.0005	MAT'L.	REF		
					±7'30"		FMF		
			RFP			CAD FILE ee7308	PREV		
			DIST	WP					
THIS DRAWING IN DESIGN AND DETAIL IS OUR PROPERTY AND MUST NOT BE USED EXCEPT IN CONNECTION WITH OUR WORK ALL RIGHTS OF DESIGN AND INVENTION ARE RESERVED THIS IS AN ELECTRONICALLY GENERATED DOCUMENT - DO NOT SCALE THIS PRINT						SIZE A	DRAWING NO. EE7308	PAGE 5 OF 5	REV. 5

