

BALDOR® • RELIANCE

Product Information Packet

ELECTRIC MOTOR WHOLESAL.COM

VUHM3558T-5

2HP,1740RPM,3PH,60HZ,145TC,3528M,TEFC,F3

Part Detail									
Revision:	H	Status:	PRD/A	Change #:		Proprietary:	No		
Type:	AC	Prod. Type:	3528M	Elec. Spec:	35WGS003	CD Diagram:			
Enclosure:	TEFC	Mfg Plant:		Mech. Spec:	35W819	Layout:			
Frame:	145TC	Mounting:	F3	Poles:	04	Created Date:	12-05-2007		
Base:	N	Rotation:	R	Insulation:	F	Eff. Date:	12-14-2011		
Leads:	3#18	Literature:		Elec. Diagram:		Replaced By:			
Nameplate NP1372L									
CAT.NO.	VUHM3558T-5								
SPEC.	35W819S003H1								
HP	2								
VOLTS	575								
AMP	2.2								
RPM	1740								
FRAME	145TC	HZ	60	PH	3				
SER.F.	1.15	CODE	K	DES	B	CL	F		
NEMA-NOM-EFF	84	PF	79						
RATING	40C AMB-CONT								
CC	010A	USABLE AT 208V							
DE	6205	ODE	6203						
ENCL	TEFC	SN							
	IP44								

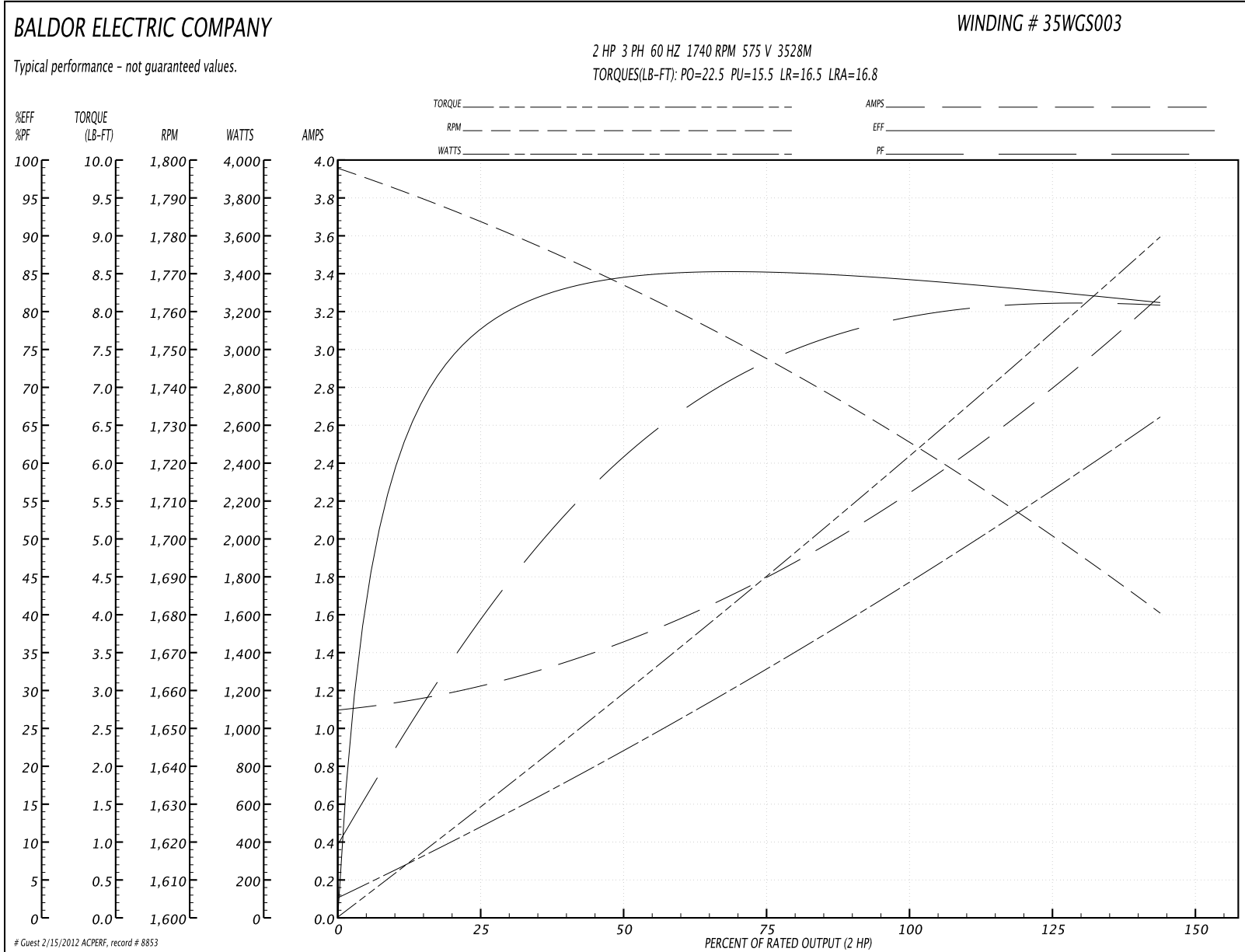
Parts List		
Part Number	Description	Quantity
SA166060	SA 35W819S003H1	1.000 EA
RA154441	RA 35W819S003H1	1.000 EA
S/P101-000-000	EPACT PROCEDURES-FS PLANT-POLYREX EM, NO	1.000 EA
S/P111-000-002	CORONA TEST, SUPER E MOTORS - FT. SMITH	1.000 EA
NS2512A01	INSULATOR, CONDUIT BOX X	1.000 EA
35CB4007	KOBX, AUTOPHORETIC (REL# 79097-49-C)	1.000 EA
35GS3009	GASKET, KOBX 35CB4006 (411881-15A)	1.000 EA
WD4100A110	CAPLUG,BP-1 1/8, PLUG W/RECESSED HEAD	1.000 EA
51XB1016A05	10-16X5/16HX WA SL SR TYB (F/S)	2.000 EA
11XW1032G06	10-32 X .38, TAPTITE II, HEX WSHR SLTD U	1.000 EA
35EP3100M01	FREP TEFC 203 BRG W/GRSR (RAISED FH PADS	1.000 EA
HW4500A01	1641B(ALEMITE)400 UNIV, GREASE FITT	1.000 EA
HW5100A03SP	WAVY WASHER (W1543-017)	1.000 EA
35EP3300A46	SPL FACE MTD EP-ENCL-145TC-205 BRG	1.000 EA
HW4500A01	1641B(ALEMITE)400 UNIV, GREASE FITT	1.000 EA
51XN1032A20	10-32 X 1 1/4 HX WS SL SR	2.000 EA
51XB1214A16	12-14X1.00 HXWSSLD SERTYB	1.000 EA
35FH4005A84SP	IEC FH W/GRSR, NO DIMPLES W/AUTOPHERETIC	1.000 EA
51XW1032A06	10-32 X .38, TAPTITE II, HEX WSHR SLTD S	3.000 EA
35CB4519	CB LID RAW & UNPRIMED, REL# 79097-50-B	1.000 EA
35GS3019	GASKET, FOR KOBX LID 35CB4519	1.000 EA
51XW0832A07	8-32 X .44, TAPTITE II, HEX WSHR SLTD SE	4.000 EA
HW2501D13SP	KEY, 3/16 SQ X 1.375	1.000 EA
HA7000A01	KEY RETAINER 7/8" DIA SHAFT	1.000 EA

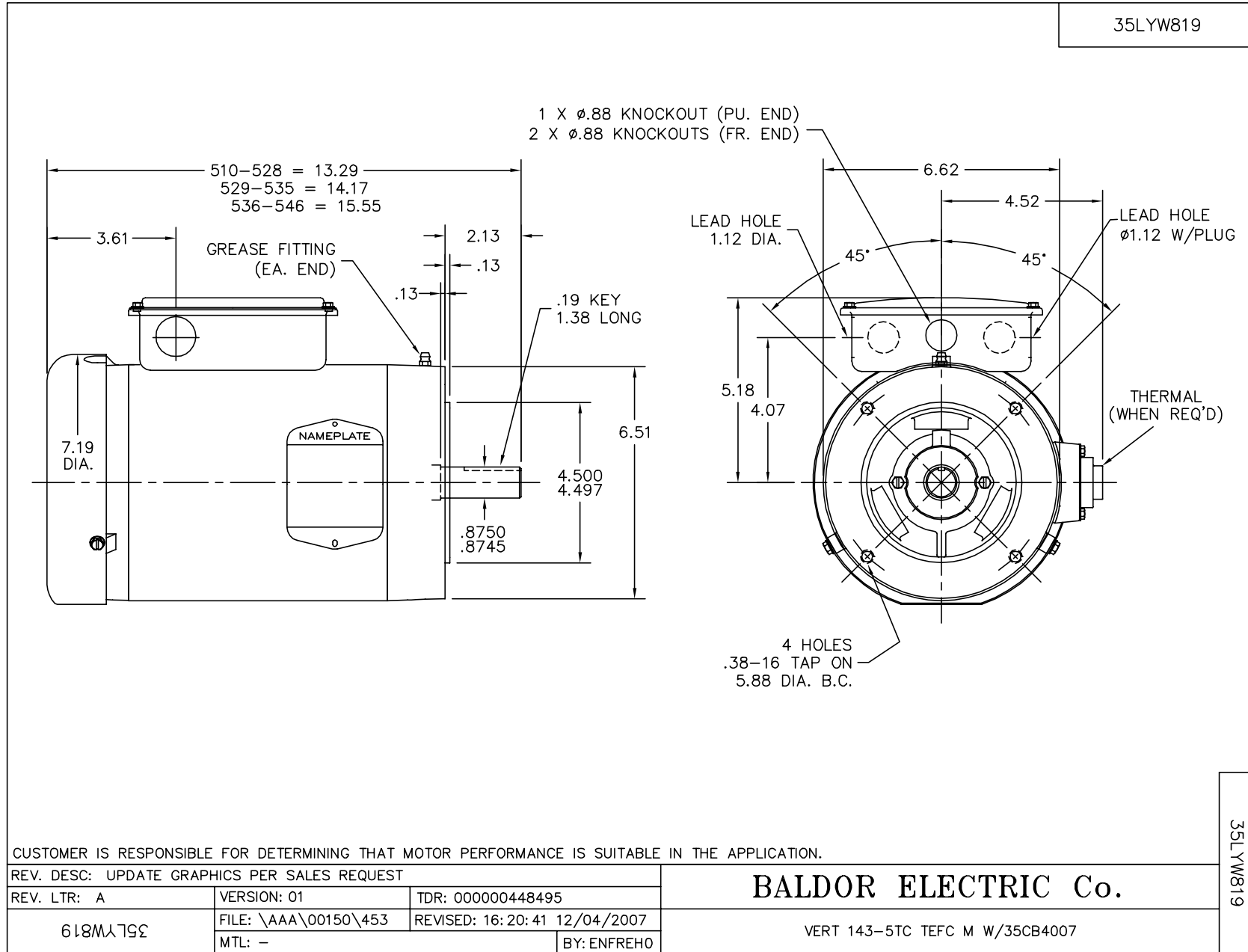
Parts List (continued)		
Part Number	Description	Quantity
85XU0407S04	4X1/4 U DRIVE PIN STAINLESS	2.000 EA
MJ1000A75	GREASE, POLYREX EM EXXON	0.050 LB
35FN3002A05SP	EXFN, PLASTIC, 6.376 OD, .638 ID	1.000 EA
MG1000N49	PAINT, 678.50 WILKO, REL GRN (55 GA)	0.017 GA
HA3100A15	THRUBOLT 10-32 X 8.375	4.000 EA
LB1119	WARNING LABEL	1.000 EA
LB1125C04	STD-E (STOCK CTN LABEL STD-E WITH FLAG)	1.000 EA
LC0006	CONNECTION LABEL	1.000 EA
LB5040	INSTRUCTION TAG, AC & DC	1.000 EA
NP1372L	ALUM, UL CE CSA CC, W/O THERMAL, LASER	1.000 EA
36PA1000	PACK GROUP W/LB5001	1.000 EA
PK3082	STYROFOAM CRADLE	1.000 EA

Performance Data at 575V, 60Hz, 2.0HP (Typical performance - Not guaranteed values)

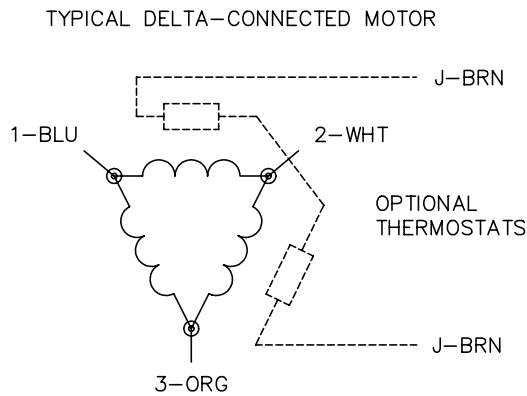
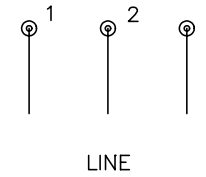
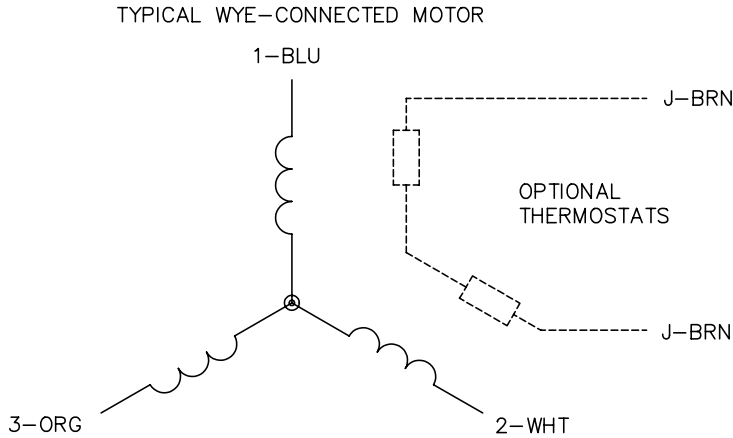
General Characteristics							
Full Load Torque:	6.0 LB-FT			Start Configuration:	DOL		
No-Load Current:	1.1 Amps			Break-Down Torque:	22.5 LB-FT		
Line-line Res. @ 25°C.:	12.3 Ohms A Ph / 0.0 Ohms B Ph			Pull-Up Torque:	15.5 LB-FT		
Temp. Rise @ Rated Load:	65 C			Locked-Rotor Torque:	16.5 LB-FT		
Temp. Rise @ S.F. Load:	87 C			Starting Current:	16.8 Amps		
Load Characteristics							
% of Rated Load	25	50	75	100	125	150	S.F.
Power Factor:	41.0	61.0	73.0	79.0	83.0	85.0	0.0
Efficiency:	77.0	83.8	85.2	84.6	83.2	80.9	0.0
Speed:	1782.0	1766.0	1748.0	1727.0	1706.0	1679.0	0.0
Line Amperes:	1.2	1.5	1.8	2.2	2.7	3.3	2.6

Performance Graph at 575V, 60Hz, 2.0HP Typical performance - Not guaranteed values





CD0006



NOTES:

1. THREE LEAD MOTOR MAY BE EITHER WYE CONNECTED OR DELTA CONNECTED.
2. INTERCHANGE ANY TWO LINE LEADS TO REVERSE ROTATION.
3. OPTIONAL THERMOSTATS ARE PROVIDED WHEN SPECIFIED.
4. ACTUAL NUMBER OF INTERNAL PARALLEL CIRCUITS MAY VARY.
5. LEAD COLORS ARE OPTIONAL. LEADS MUST BE NUMBERED AS SHOWN.

REV. DESC: REVISE TO SHOW OPTIONAL COLORS			
REV. LTR: D	BY: JLP	REVISED: 01/21/99 4:02	TDR: 0171435
9000D		FILE: AAA00005141	MDL: -
		MTL: -	

BALDOR ELECTRIC Co.

3PH, SV, 3 LEADS, WYE OR DELTA CONNECTED

CD0006