



A Regal Brand

Catalog # : E100007.00
Product Type: AC MOTOR
Description:

Model: E100007.00
Stock: Y

Quote: Price:

Date: 10/17/2018



A Regal Brand

Catalog # : E100007.00
 Product Type: AC MOTOR
 Description:

Model: E100007.00
 Stock: Y

Engineering Data

Volts	115	Volts	230	Volts	
F.L. Amps	4.6	F.L. Amps	2.3	F.L. Amps	
S. F Amps	5.6	S. F Amps	2.8	S. F Amps	

RPM	1800	Hertz	60	TYPE	KD
HP	1/2	Duty	CONTINUOUS	Phase	1
KW	0.37	Serv. Factor	1.25	Code	K
Frame	S56	Design	N	Therm.Prot.	
Max Amb	40	Protection	NOT	PF	91.6
Insul Class	B	Eff 75%		Bearing OPE	6203
Eff 100%	76.2	CSA	Yes	Bearing PE	6203
UL	Y-(LEESON UL REC)	CE	Yes	Speed Range	NONE
CC Number	EXEMPT	Inverter Type			
Load Type					

Motor Wt.	23 LB	Enclosure	DP	Lubrication	MULTEMP SRL
Nameplate	10000417-001-001	Mounting	RIGID	Rotation	SELECTIVE CCW
Assembly		Shaft Dia.		Ext. Diag.	A-005054-15-REGAL
Cust Part No		Outline	A-SS404118-750	Ext. Diag2	
Packaging	F	Outline Dash No		Winding	BE484110
Carton Label		Paint	GREEN (POWDER)	GROUP :	3
Iris				Test Card	00

Form Factor		RMS Amps		Const Torque	Speed Range
Torque		Peak			
AB Code		Peak@DegC			
Resistance					
Connection					

Rework Status		Rework TYPE			
---------------	--	-------------	--	--	--

Hazardous Loc
Explosion Proof
Class
Class

NONE

Temp Op Code
GROUP
GROUP

Brake Motors
FORCE
VDC
ADC

Brake Coil OHMs @25 C

Performance
Torque UOM
Torque
CURRENT (amps)
Efficiency (%)
PowerFactor

Inertia (WK²)

Load Curve Data @60 HzVolts, 1/2Horsepower

Load	Amps	KW	RPM	Torque	Eff	PF	Rise By Resis	Frame Rise
0.0	0.9	0.108	1795	0.0	0.0	51.8	0.0	-
0.25	1.1	0.196	1785	6.1	49.3	76.8	0.0	-
0.5	1.5	0.291	1775	12.2	66.0	86.1	0.0	-
0.75	1.9	0.388	1760	18.3	73.7	89.8	0.0	-
1.0	2.3	0.491	1745	24.4	76.2	91.6	25.0	-
1.15	2.6	0.556	1735	28.1	77.8	91.9	0.0	-
1.25	2.8	0.601	1730	30.5	77.9	92.3	30.0	-
1.35	3.03	0.647	1720	33.0	77.8	92.5	0.0	-
1.5	3.4	0.718	1710	36.6	77.4	92.5	0.0	-

SOURCE: CALCULATED GROUP: 3

Load Curve Data @60HzVolts, 1/2Horsepower

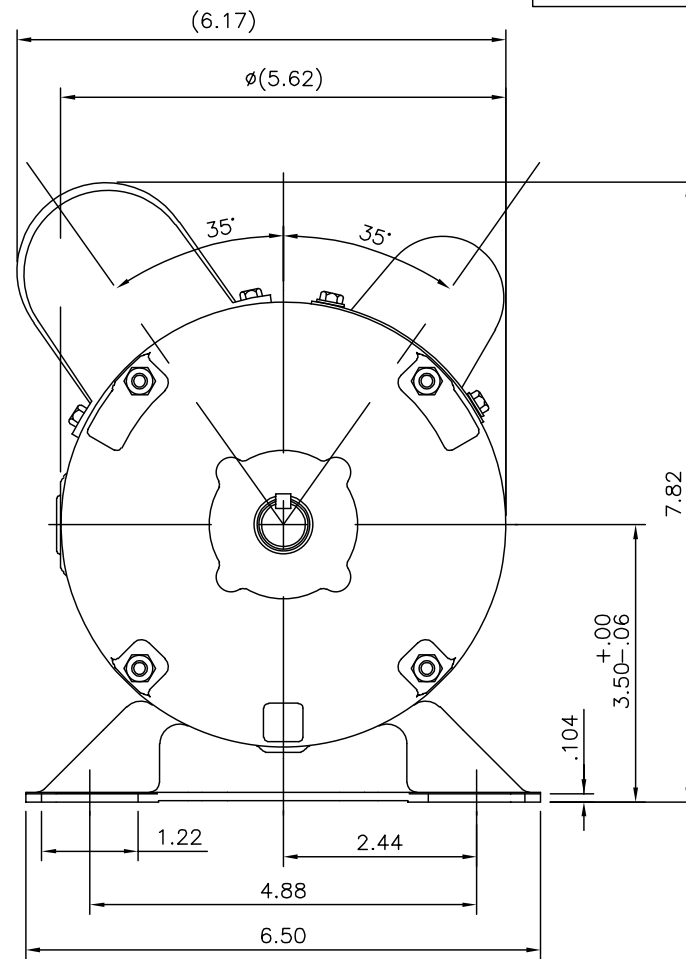
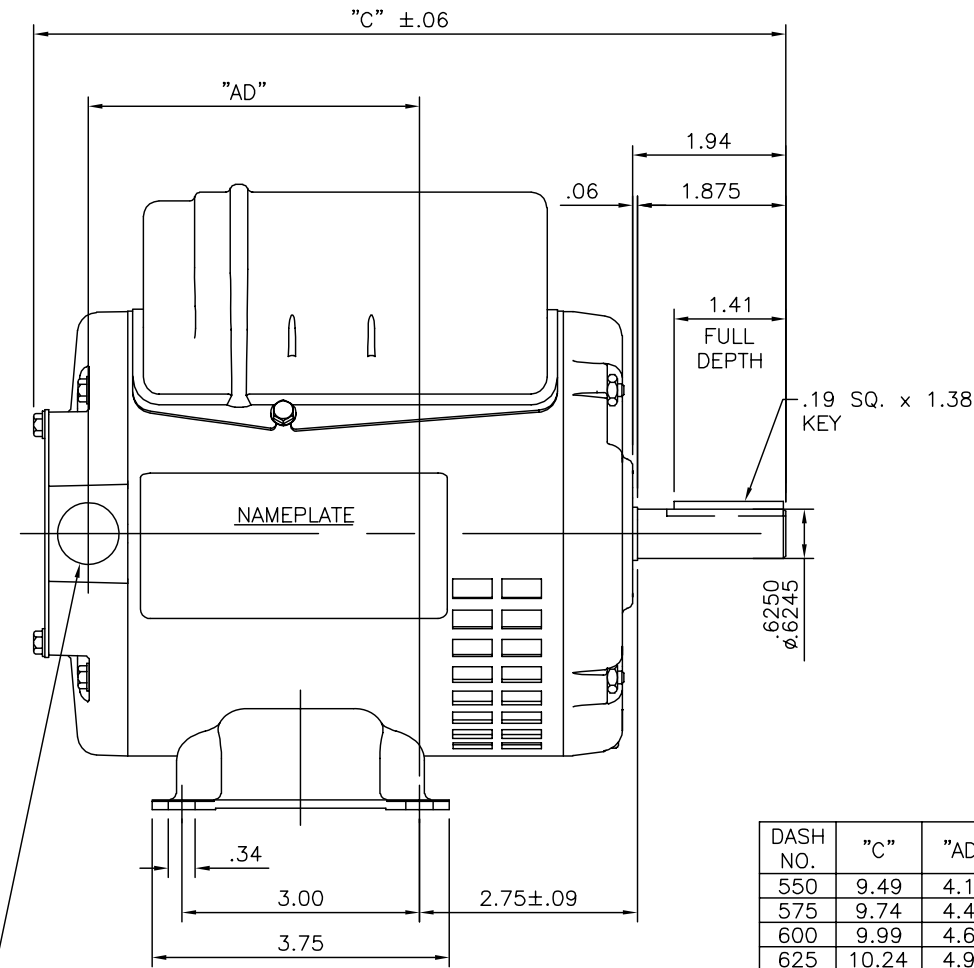
Load	Amps	KW	RPM	Torque	Eff	PF	Rise By Resis	Frame Rise
------	------	----	-----	--------	-----	----	---------------	------------

Load Curve Data Not Available

Quote: Price:

Date: 10/17/2018

SS404118

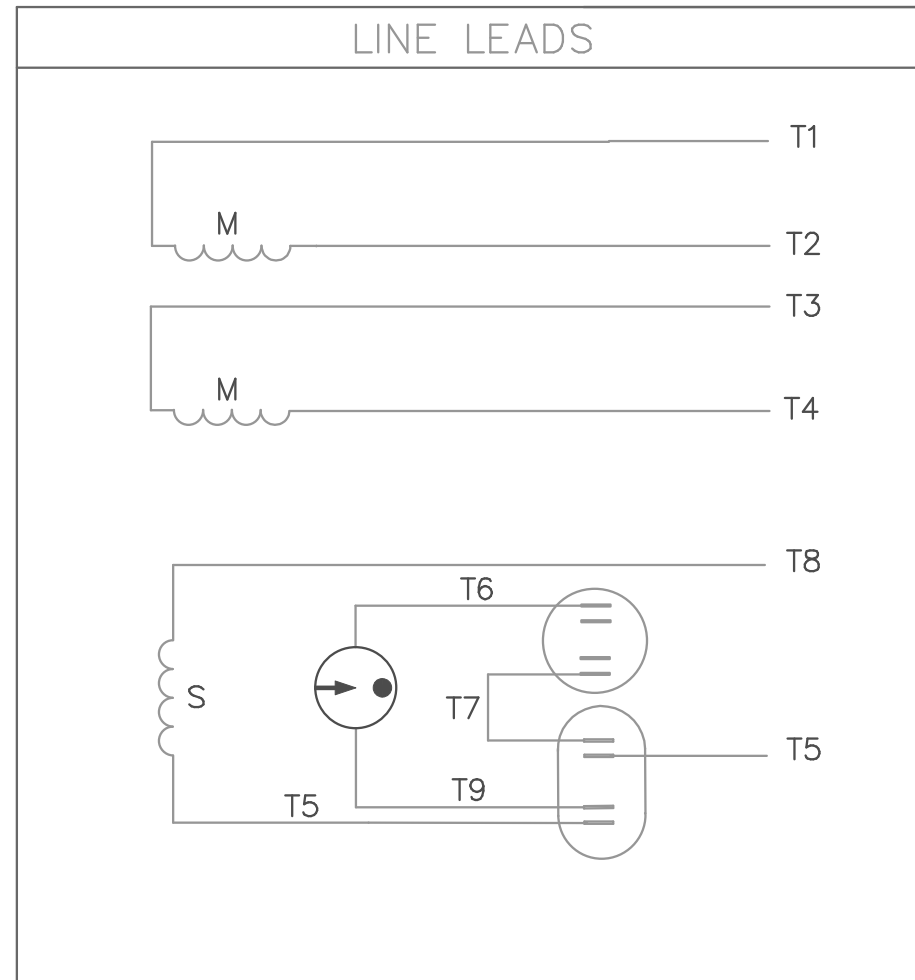
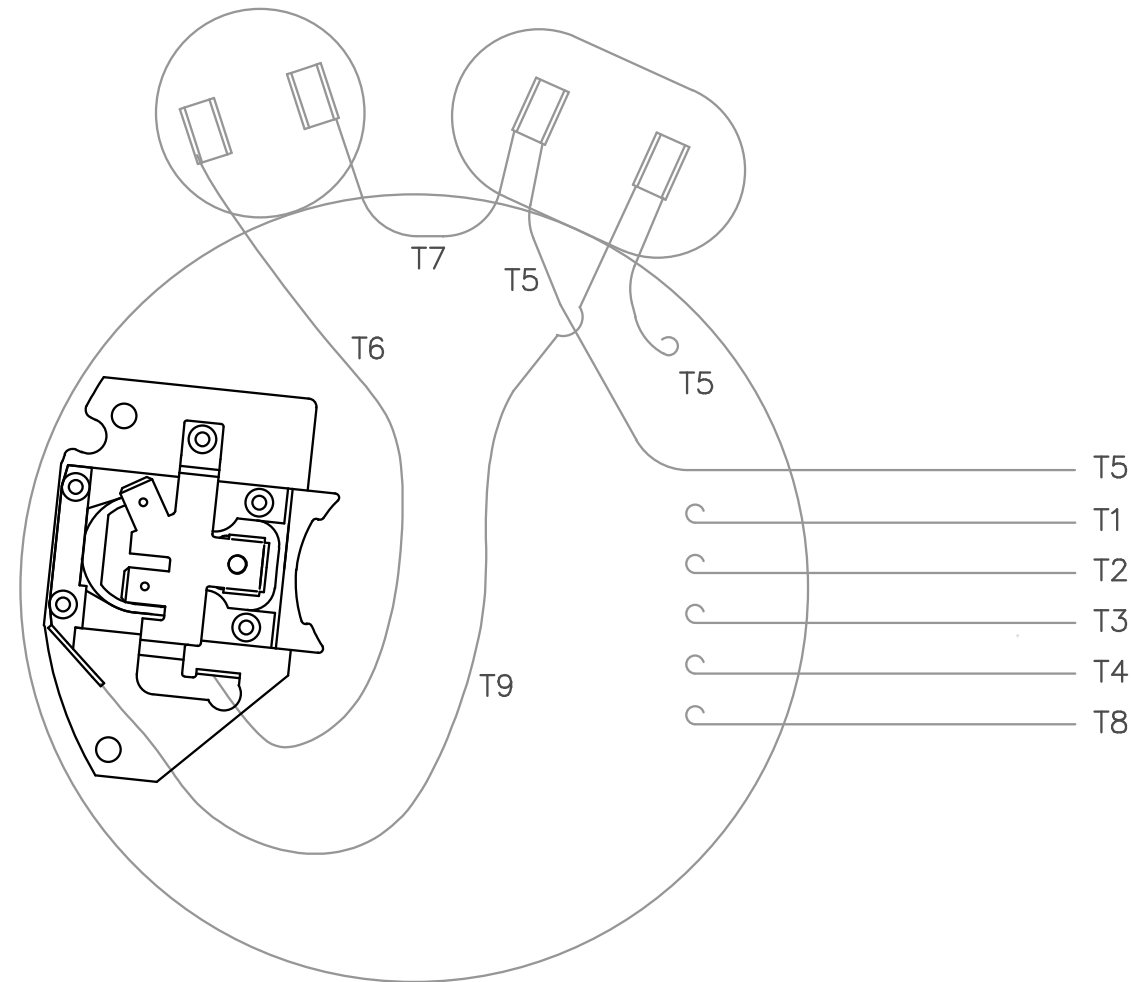


DASH NO.	"C"	"AD"	ORACLE PART REV.
550	9.49	4.18	000
575	9.74	4.43	000
600	9.99	4.68	000
625	10.24	4.93	000
650	10.49	5.18	000
675	10.74	5.43	000
700	10.99	5.68	000
725	11.24	5.93	000
750	11.49	6.18	000
800	11.99	6.68	000

1/2-14 NPT
CONDUIT HOLE
(PLUGGED)

		TOLERANCES UNLESS SPECIFIED		REGAL ™ Regal Beloit America, Inc.	DRAWN PVR 11/28/14
		DEC.	INCHES		CHK VS 11/28/14
		.X	±.1		APPD
		.XX	±.03	TITLE OUTLINE	SCALE NTS
B	UPDATED DASH VALUES	PST 03/09/2015	VS .XXX ±.005	S56 FRAME RIGID MOUNT – DRIP PROOF	REF 031619
A	ADDED DASH VALUES PER ECO-0066022	UD 12/17/14	ST .XXXX ±.0005	MAT'L.	FMF
NO.	REVISION	BY & DATE	CHK ANG ±7°30"	FINISH	PREV
THIS DRAWING IN DESIGN AND DETAIL IS OUR PROPERTY AND MUST NOT BE USED EXCEPT IN CONNECTION WITH OUR WORK ALL RIGHTS OF DESIGN AND INVENTION ARE RESERVED THIS IS AN ELECTRONICALLY GENERATED DOCUMENT – DO NOT SCALE THIS PRINT			RFP	CAD FILE SS404118	SIZE A
			DIST WP		DRAWING NO. PAGE 1 OF 1 REV. B
					SS404118

VIEW FROM OUTSIDE OF MOTOR AT SWITCH END.



	ROTATION FACING LEAD END	L1	L2	JOIN
HIGH VOLT	C.C.W.	T1	T4 T5	T2,T3 T8
	C.W.	T1	T4 T8	T2,T3 T5
LOW VOLT	C.C.W.	T1 T3,T8	T2,T4 T5	
	C.W.	T1,T3 T5	T2,T4 T8	

TOLERANCES
UNLESS SPECIFIED

DEC.	INCHES
.X	±.1
.XX	±.01
.XXX	±.005
.XXXX	±.0005
ANG	±1/2°



ELECTRIC MOTORS
GEARMOTORS
AND DRIVES

TITLE
EXTERNAL WIRING DIAGRAM
TYPE "K" W/O PROTECTOR

MAT'L.
DECAL 004012

FINISH

DRAWN PG 4/17/03

CHK

APPD

SCALE 1=1

REF 005054-01

FMF 102368.00

PREV

NO.	REVISION	BY & DATE	CHK

THIS DRAWING IN DESIGN AND DETAIL IS OUR PROPERTY AND MUST NOT BE USED EXCEPT
IN CONNECTION WITH OUR WORK ALL RIGHTS OF DESIGN AND INVENTION ARE RESERVED
THIS IS AN ELECTRONICALLY GENERATED DOCUMENT - DO NOT SCALE THIS PRINT

RFP	CAD FILE	SIZE	DRAWING NO.	REV.
	00505415	A	005054-15	