

BALDOR® • RELIANCE

Product Information Packet

ELECTRIC MOTOR WHOLESAL.COM

VUHL3519

1HP,1725RPM,1PH,60HZ,56C,3524L,TEFC,F3,N

| Part Detail | | | | | | | |
|-------------|------|-------------|-------|----------------|----------|---------------|------------|
| Revision: | G | Status: | PRD/A | Change #: | | Proprietary: | No |
| Type: | AC | Prod. Type: | 3524L | Elec. Spec: | 35WGX945 | CD Diagram: | |
| Enclosure: | TEFC | Mfg Plant: | | Mech. Spec: | 35X062 | Layout: | |
| Frame: | 56C | Mounting: | F3 | Poles: | 04 | Created Date: | 12-05-2007 |
| Base: | N | Rotation: | R | Insulation: | F | Eff. Date: | 12-15-2011 |
| Leads: | 6#18 | Literature: | | Elec. Diagram: | | Replaced By: | |

Nameplate NP1372L

| | | | | | | | |
|--------------|--------------|----------------|------|-----|---|----|---|
| CAT.NO. | VUHL3519 | | | | | | |
| SPEC. | 35X062X945G1 | | | | | | |
| HP | 1 | | | | | | |
| VOLTS | 115/208-230 | | | | | | |
| AMP | 12.8/7-6.4 | | | | | | |
| RPM | 1725 | | | | | | |
| FRAME | 56C | HZ | 60 | PH | 1 | | |
| SER.F. | 1.15 | CODE | K | DES | L | CL | F |
| NEMA-NOM-EFF | 67 | PF | 73 | | | | |
| RATING | 40C AMB-CONT | | | | | | |
| CC | | USABLE AT 208V | 7 | | | | |
| DE | 6205 | ODE | 6203 | | | | |
| ENCL | TEFC | SN | | | | | |
| | IP44 | | | | | | |

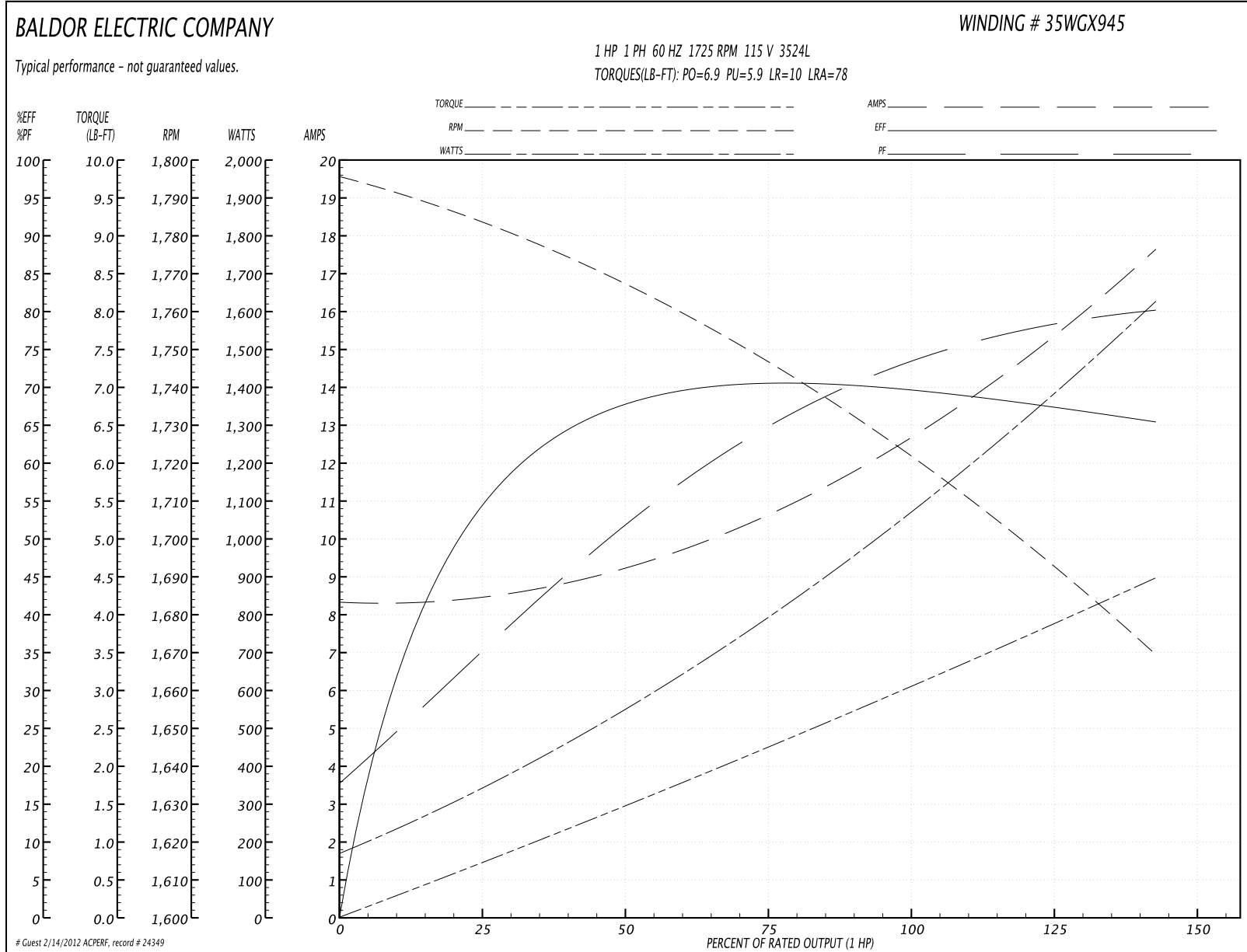
| Parts List | | |
|---------------|--|----------|
| Part Number | Description | Quantity |
| SA166357 | SA 35X062X945G1 | 1.000 EA |
| RA154737 | RA 35X062X945G1 | 1.000 EA |
| EC1645A06SP | ELEC CAP, 645-774 MFD, 125V, 2.06D X 4. | 1.000 EA |
| NS2512A01 | INSULATOR, CONDUIT BOX X | 1.000 EA |
| 35CB4007 | KOBX, AUTOPHORETIC (REL# 79097-49-C) | 1.000 EA |
| 35GS3009 | GASKET, KOBX 35CB4006 (411881-15A) | 1.000 EA |
| WD4100A110 | CAPLUG,BP-1 1/8, PLUG W/RECESSED HEAD | 1.000 EA |
| 11XW1032G06 | 10-32 X .38, TAPTITE II, HEX WSHR SLTD U | 1.000 EA |
| 35EP3100M02 | FREP TEFC 203 BRG W/O GRSR (RAISED FH MT | 1.000 EA |
| 51XW0832A07 | 8-32 X .44, TAPTITE II, HEX WSHR SLTD SE | 2.000 EA |
| NS2501A01 | INSULATOR, CAPACITOR | 1.000 EA |
| 51XB1016A05 | 10-16X5/16HX WA SL SR TYB (F/S) | 2.000 EA |
| 51XB1016A05 | 10-16X5/16HX WA SL SR TYB (F/S) | 2.000 EA |
| HW5100A03SP | WAVY WASHER (W1543-017) | 1.000 EA |
| 35EP3300A33 | SPL FACE MTD EP -ENCL-205 BRG | 1.000 EA |
| 51XN1032A20 | 10-32 X 1 1/4 HX WS SL SR | 2.000 EA |
| 51XB1214A16 | 12-14X1.00 HXWSSLD SERTYB | 1.000 EA |
| 35FH4005A32SP | IEC FH NO GRSR W/3 HOLES - W/AUTOPHERETI | 1.000 EA |
| 51XW1032A06 | 10-32 X .38, TAPTITE II, HEX WSHR SLTD S | 3.000 EA |
| 35CB4519 | CB LID RAW & UNPRIMED, REL# 79097-50-B | 1.000 EA |
| 35GS3019 | GASKET, FOR KOBX LID 35CB4519 | 1.000 EA |
| 51XW0832A07 | 8-32 X .44, TAPTITE II, HEX WSHR SLTD SE | 4.000 EA |
| HW2501D13SP | KEY, 3/16 SQ X 1.375 | 1.000 EA |
| HA7000A04 | KEY RETAINER 0.625 DIA SHAFTS | 1.000 EA |

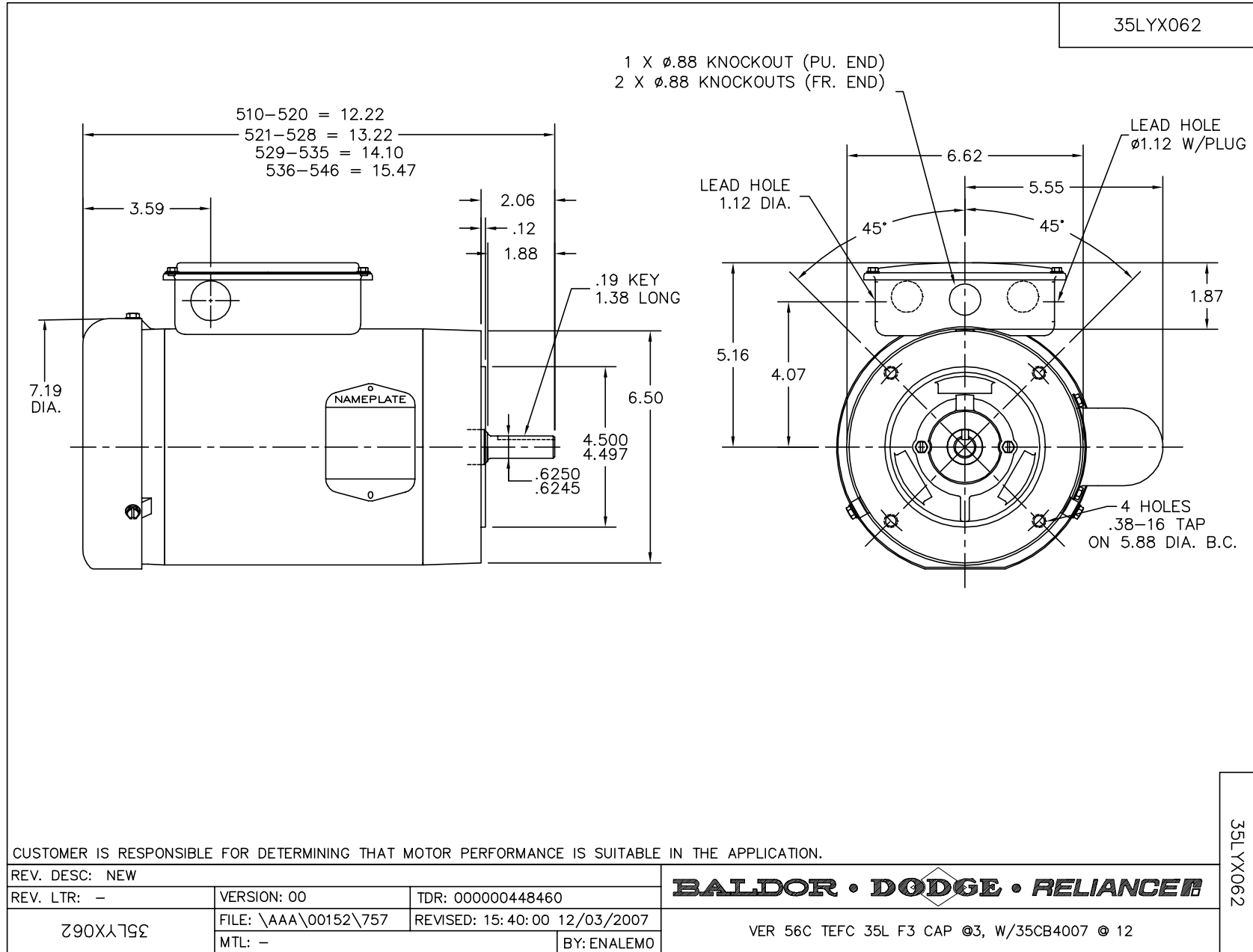
| Parts List (continued) | | |
|------------------------|--|----------|
| Part Number | Description | Quantity |
| 10XF0440S02 | 04-40 X 1/8 TYPE F HEX HD STAINLESS STIC | 2.000 EA |
| WD1000A15 | 3-520132-2 AMP FLAG (4M/RL NON-CANC/NON- | 2.000 EA |
| MJ1000A75 | GREASE, POLYREX EM EXXON | 0.050 LB |
| 35FN3002A05SP | EXFN, PLASTIC, 6.376 OD, .638 ID | 1.000 EA |
| MG1000N49 | PAINT, 678.50 WILKO, REL GRN (55 GA) | 0.017 GA |
| SP5055A07 | MODEL 35 TYPE L STATIONARY SWITCH LEAD A | 1.000 EA |
| 35CB4802A02SP | CAPACITOR COVER, STAMPED X W/AUTOPHORET | 1.000 EA |
| 35GS3001A02 | GASKET, CA.COVER, 5.38 LONG .06 CS301 | 1.000 EA |
| LB5040 | INSTRUCTION TAG, AC & DC | 1.000 EA |
| HA3100A15 | THRUBOLT 10-32 X 8.375 | 4.000 EA |
| LB1119 | WARNING LABEL | 1.000 EA |
| LB1172A01 | CUSTOM MTR CARTON LABEL LASER PRINTER | 1.000 EA |
| LC0001 | CONN LABEL TYPE L, 6 LEAD, DUAL VOLTS, R | 1.000 EA |
| NP1372L | ALUM, UL CE CSA CC, W/O THERMAL, LASER | 1.000 EA |
| 35PA1066 | PACKING GROUP COMBINED PRINT | 1.000 EA |
| PK3082 | STYROFOAM CRADLE | 1.000 EA |

Performance Data at 115V, 60Hz, 1.0HP (Typical performance - Not guaranteed values)

| General Characteristics | | | | | | | |
|--------------------------|--------------------------------|--------|--------|----------------------|------------|--------|--------|
| Full Load Torque: | 3.0 LB-FT | | | Start Configuration: | DOL | | |
| No-Load Current: | 8.2 Amps | | | Break-Down Torque: | 6.9 LB-FT | | |
| Line-line Res. @ 25°C.: | 0.65 Ohms A Ph / 1.8 Ohms B Ph | | | Pull-Up Torque: | 5.9 LB-FT | | |
| Temp. Rise @ Rated Load: | 79 C | | | Locked-Rotor Torque: | 10.0 LB-FT | | |
| Temp. Rise @ S.F. Load: | 95 C | | | Starting Current: | 78.0 Amps | | |
| Load Characteristics | | | | | | | |
| % of Rated Load | 25 | 50 | 75 | 100 | 125 | 150 | S.F. |
| Power Factor: | 39.0 | 53.0 | 67.0 | 75.0 | 81.0 | 84.0 | 79.0 |
| Efficiency: | 52.9 | 67.6 | 70.0 | 70.3 | 68.6 | 64.9 | 69.3 |
| Speed: | 1781.0 | 1765.0 | 1746.0 | 1726.0 | 1701.0 | 1666.0 | 1711.0 |
| Line Amperes: | 8.6 | 9.4 | 10.6 | 12.4 | 14.8 | 17.8 | 13.8 |

Performance Graph at 115V, 60Hz, 1.0HP Typical performance - Not guaranteed values





CD0001



NOTES:

1. STANDARD ROTATION IS CCW FACING END OPPOSITE SHAFT EXTENSION.
2. OPTIONAL THERMOSTAT IS PROVIDED WHEN SPECIFIED.
3. MULTIPLE CAPACITORS ARE CONNECTED IN PARALLEL UNLESS OTHERWISE SPECIFIED.
4. LEAD COLORS ARE OPTIONAL. LEADS MUST ALWAYS BE NUMBERED AS SHOWN.

| | | | |
|---|---------|------------------------|--------------|
| REV. DESC: REVISE TO SHOW OPTIONAL COLORS | | | |
| REV. LTR: D | BY: JLP | REVISED: 04/08/99 1:16 | TDR: 0178636 |
| 100000 | | FILE: AAA00007405 | MDL: - |
| | | MTL: - | |

BALDOR ELECTRIC Co.

TYPE L, DV, REV, 6 LEADS

CD0001