



A Regal Brand

Catalog # : 117496.00
Product Type: AC MOTOR
Description:

Model: 117496.00
Stock: N

Quote: Price:

Date: 10/10/2018



A Regal Brand

Catalog # : 117496.00
Product Type: AC MOTOR
Description:

Model: 117496.00
Stock: N

Engineering Data

Volts	115	Volts	208-230	Volts	
F.L. Amps	10.8	F.L. Amps	5.4	F.L. Amps	
S. F Amps		S. F Amps		S. F Amps	

RPM	1800	Hertz	60	TYPE	CN
HP	3/4	Duty	10 MINUTE	Phase	1
KW	0.56	Serv. Factor	1.0	Code	L
Frame	56C	Design	N	Therm.Prot.	
Max Amb	40	Protection	NOT	PF	64
Insul Class	B	Eff 75%		Bearing OPE	6203
Eff 100%	70	CSA	Yes	Bearing PE	6203
UL	Y-(LEESON UL REC)	CE	No	Speed Range	NONE
CC Number	EXEMPT	Inverter Type			
Load Type					

Motor Wt.	32 LB	Enclosure	TENV	Lubrication	POLYREX EM
Nameplate	080182	Mounting	ROUND	Rotation	SELECTIVE CCW
Assembly	LO117496	Shaft Dia.	5/8 IN	Ext. Diag.	005005.01
Cust Part No		Outline	OL117496	Ext. Diag2	
Packaging		Outline Dash No		Winding	C634258
Carton Label	INDIVIDUAL	Paint	NO PAINT	GROUP :	3
Iris				Test Card	02

Form Factor		RMS Amps		Const TorqueSpeed Range	
Torque		Peak			
AB Code		Peak@DegC			
Resistance					
Connection					

Rework Status	Rework TYPE
---------------	-------------

Hazardous Loc
Explosion Proof
Class
Class

NONE

Temp Op Code
GROUP
GROUP

Brake Motors
FORCE
VDC
ADC

Brake Coil OHMs @25 C

Performance					
Torque UOM	OZ-FT		Inertia (WK ²)	.08 LB-FT ²	
Torque	36(Full Load)		99(Break Down)	84(Pull Up)	115(Locked Rotor)
CURRENT (amps)	5.4(Full Load)		0(Break Down)	0(Pull Up)	30(Locked Rotor)
Efficiency (%)	0(Full Load)		80.9(75% Load)	61.3(50% Load)	45.9(25% Load)
PowerFactor	0(Full Load)		46.4(75% Load)	44.6(50% Load)	31.7(25% Load)

Load Curve Data @60 HzVolts,3/4Horsepower

Load	Amps	KW	RPM	Torque	Eff	PF	Rise By Resis	Frame Rise
0.0	4.13	0.172	1798	0.0	0.0	18.1	0.0	-
0.25	4.2	0.306	1786	8.85	45.9	31.7	0.0	-
0.5	4.45	0.456	1777	17.72	61.3	44.6	0.0	-
0.75	4.86	0.519	1766	26.79	80.9	46.4	0.0	-
1.0	5.42	0.792	1754	35.94	70.7	63.5	0.0	-
1.25	6.11	0.978	1740	45.3	71.5	69.6	0.0	-
1.5	6.97	1.191	1723	55.09	70.8	74.3	0.0	-

SOURCE: CALCULATED GROUP: 3

Load Curve Data @60HzVolts,3/4Horsepower

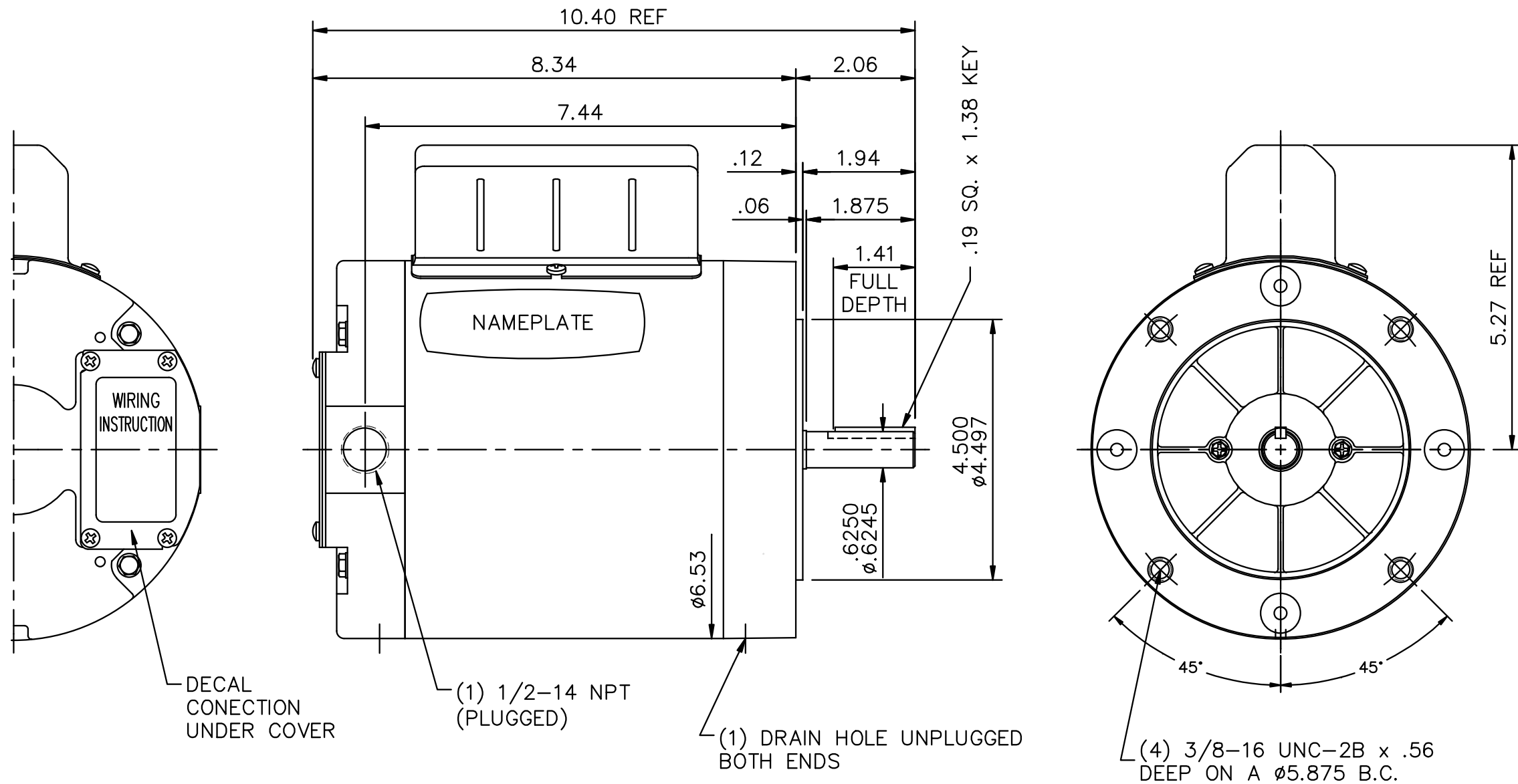
Load	Amps	KW	RPM	Torque	Eff	PF	Rise By Resis	Frame Rise
------	------	----	-----	--------	-----	----	---------------	------------

Load Curve Data Not Available

Quote: Price:


Date: 10/10/2018

OL117496

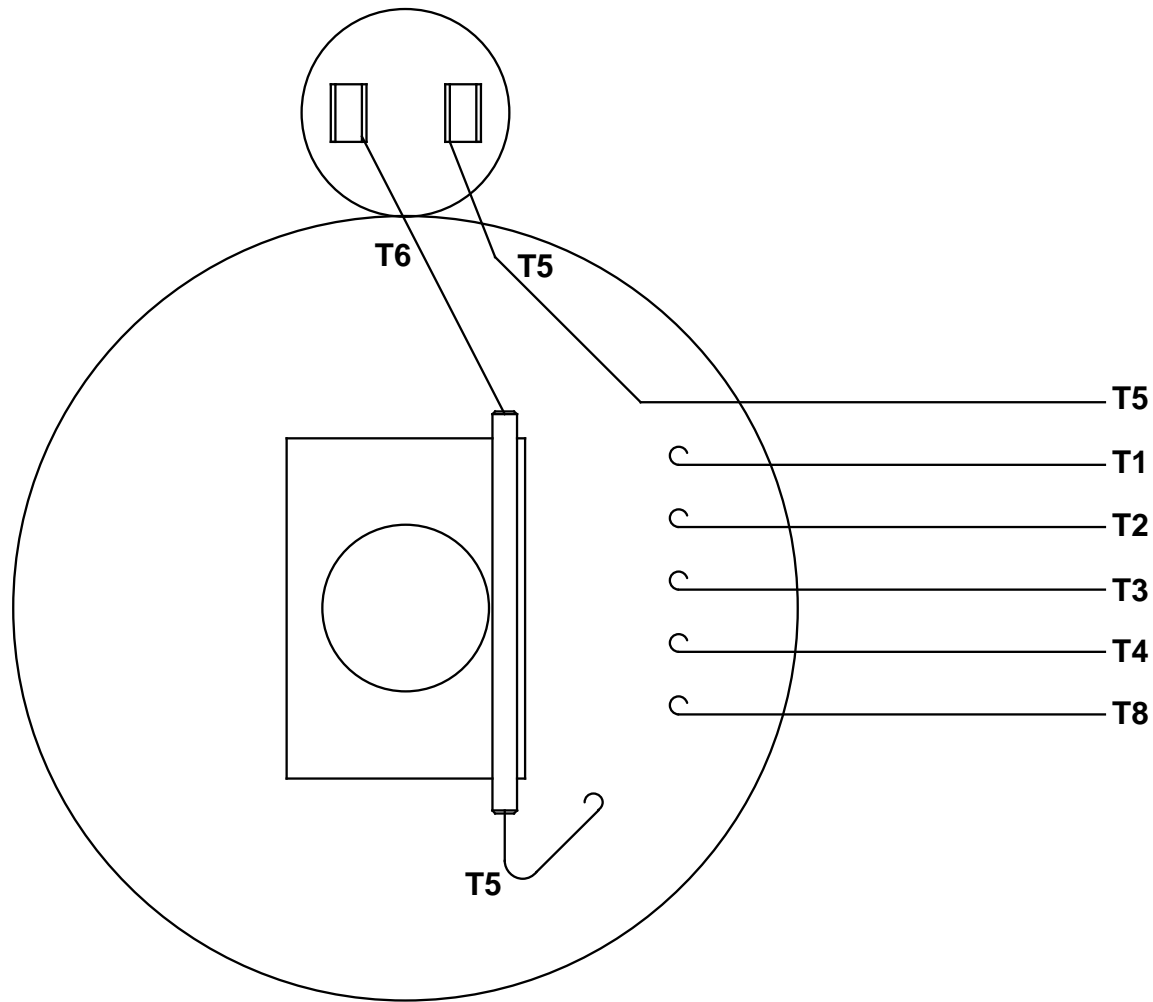


MAXIMUM FACE RUNOUT .004 T.I.R.
 MAXIMUM PILOT ECCENTRICITY .004 T.I.R.
 PERMISSIBLE SHAFT RUNOUT .002 T.I.R.

GASKETS THROUGHOUT

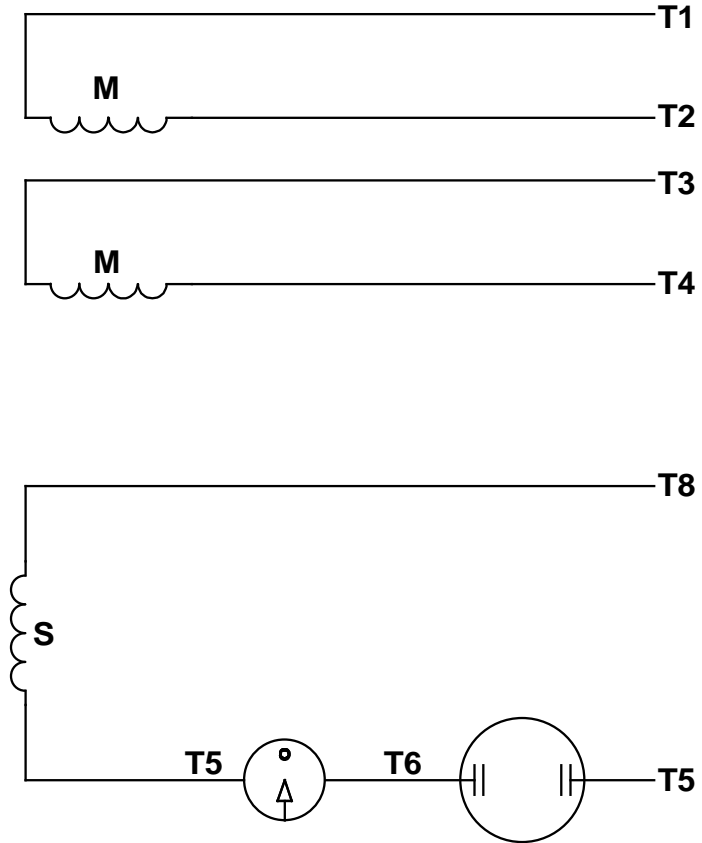
		TOLERANCES UNLESS SPECIFIED		 ELECTRIC MOTORS GEARMOTORS AND DRIVES	DRAWN SSK 05/25/10	
		DEC.	INCHES		CHK	
		.X	±.1	TITLE OUTLINE - 56C FRAME TENV - "C" FACE	APPD PG 05/25/10	
		.XX	±.03		SCALE 3=8	
		.XXX	±.005		REF OL116879	
		.XXXX	±.0005		FMF	
NO.	REVISION	BY & DATE	CHK	ANG ±1/2°	FINISH	PREV
THIS DRAWING IN DESIGN AND DETAIL IS OUR PROPERTY AND MUST NOT BE USED EXCEPT IN CONNECTION WITH OUR WORK ALL RIGHTS OF DESIGN AND INVENTION ARE RESERVED THIS IS AN ELECTRONICALLY GENERATED DOCUMENT - DO NOT SCALE THIS PRINT			RFP	9/16/05	CAD FILE	OL117496
			DIST		SIZE	DRAWING NO.
					A	OL117496
						REV.

VIEW FROM OUTSIDE OF MOTOR AT SWITCH END.




RBC PROPRIETARY AND CONFIDENTIAL INFORMATION
 This document is the property of REGAL BELOIT CORPORATION ("RBC") including its subsidiaries and divisions and contains proprietary information of RBC. This document is loaned on the express condition that neither it nor the information contained therein shall be disclosed to others without the express written consent of RBC, and that the information shall be used by the recipient only as approved expressly by RBC. This document shall be returned to RBC upon its request. This document may be subject to certain restrictions under U.S. export control laws and regulations.

LINE LEADS



	ROTATION FACING LEAD END	L1	L2	JOIN
HIGH VOLT	C.C.W.	T1	T4, T5	T2, T3, T8
	C.W.	T1	T4, T8	T2, T3, T5
LOW VOLT	C.C.W.	T1, T3, T8	T2, T4, T5	-----
	C.W.	T1, T3, T5	T2, T4, T8	-----

--	REDRAWN IN SOLIDWORKS	VJB 02/16/11		TOLERANCES UNLESS SPECIFIED		 ELECTRIC MOTORS GEARMOTORS AND DRIVES	DRAWN ADH 08/06/73	
27	UPDATED TO CURRENT STANDARDS	DBT 05/27/97		DEC	INCHES		CHK	
26	ADDED PAGE 32 (114787) & PAGE 33 (114788)	KAZ 12/20/95	PG	.X	±.1		APPR JCW 03/09/79	
25	ADDED PAGE 31	KAZ 04/19/95	DL	.XX	±.01	TITLE EXTERNAL WIRING DIAGRAM	SCALE 1:1	
24	ADDED PAGES 29 & 30	KMM 03/30/95	DL	.XXX	±.005	TYPE "C" W/O PROTECTOR	REF FIG 2-23 C4A	
23	ADDED PAGE 28	KMM 01/27/95		.XXXX	±.0005	MAT'L DECAL - 004012	FMF MGI-2.4B	
NO	REVISION	BY & DATE	CHK	ANG	±1/2°	FINISH	PAGE OF	
THIRD ANGLE PROJECTION			RFP	PREV		SIZE	DRAWING NO	REV
			NETWORK FILE NAME 00500501			A	005005-01	--