

BALDOR® • RELIANCE

Product Information Packet

PFTG50XP

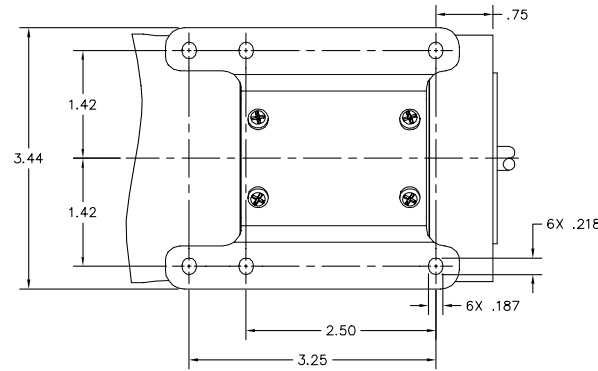
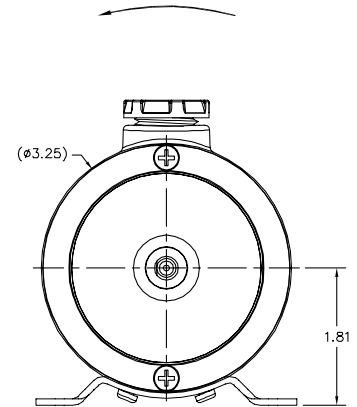
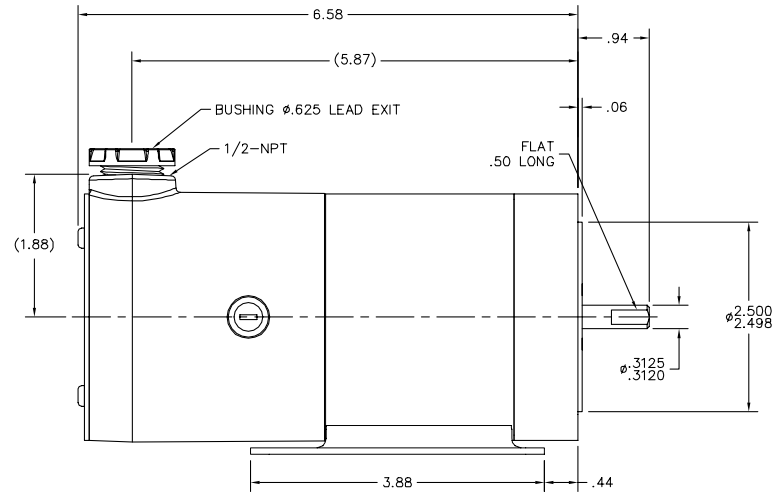
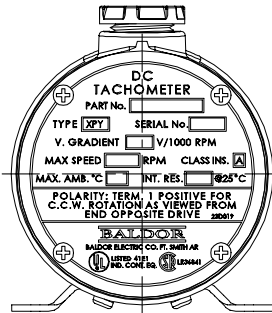
DC TACH XPY 50VDC/KRPM

Product Detail							
Revision:	AH	Status:	PRD/A	Change #:		Proprietary:	No
Type:	DC	Prod Type:		Elec. Spec:	X5WGZ002	CD Diagram:	CD0194
Enclosure		Mfg Plant:		Mech Spec:		Layout:	P601A101
Frame:	XPYTACH	Mounting:		Poles:		Created Date:	
Base:		Rotation:		Insulation:	F	Eff. Date:	08-07-2007
Leads:	2#22					Replaced By:	

Parts List			
Product ID	Description	Quantity	List Price
X5CA0002	KE 50 V 54 T #31	1.000	17.00
X5EP2100A04	EP,XPY DE CL 6608 BRG SHLDR 3.25 OD	1.000	96.00
X5SH0001A01	SHAFT,XPY X512 .313 .94 .50LG FLAT (R	1.000	35.00
BG6608E03	608 D SL,C3,POLYREX EM	2.000	6.00
HA1084A01	SPACER,7/16"X.316"X1/8" STERLING BMH159	2.000	2.00
X5AL2130	LAM,ARM 13 SLOT XPY TACH TEMPEL #1291 (R	1.500	15.00
MG3000N01	3M 260 HYSOL EPOXY POWDERGREEN (REF 19D0	0.010	109.00
MG1000B41	PAINT 945-01 WATERBASE ROTOR LAC.	0.010	
CM1114	COMMUTATOR,52 BAR (REF 16D029)	1.000	64.00
ME3009A01	TIE, THREAD 4 STRND COTTON BEH1666	0.001	123.00
MG5022	VARNISH STAR WARS PD GEORGE RESIN (6180)	0.001	136.00
MG5022Z01	STAR WARS ACTIVATOR 103-001 PDG	0.001	53.00
PM1115A01	MAGNET 24 FRAME & '70S L=1.500 (.25 THI	1.000	406.00
X5EP2101A04	EP,XPY ODE CL 6608 W/ BASE MTG	1.000	121.00
HW5100A38	WAVY WASHER (W0855-010) 608 BRG(22MM)	1.000	2.00
BP4541	BRUSH HOLDER XPY TACH (REF 26D004)	2.000	7.00
80XN0632J03	SCREW, 6-32 X 3/16", SHS, AS	2.000	2.00
MJ5004A25	LOCTITE #222 SCREWLOCK	0.002	182.00
BP5118AK01SP	BRUSH,XPY GR B1250 1/4 X 1/8 (REF 15D048	1.000	77.00
BP4515SP	BRUSH CAP	1.000	2.00
TB0250A01	ASM,XPY TERMINAL BOARD (REF 4A035)	1.000	18.00
15XN0632A04	SCREW, 6/32 X 1/4" PAN, PHIL, M.S.	1.000	
HA3193C01	STUD,BRASS #6-32 X .625 (REF 1D097)	1.000	2.00
XY0632B01	NUT,6-32 HEX BRASS (REF 1D020)	2.000	2.00

Parts List (continued)			
Product ID	Description	Quantity	List Price
WD4139	BUSHING,O-Z/GEDNEY BB50 UL #E-20933 (REF	1.000	16.00
15XN0832A48	SCREW PAN HD #8-32 X 3 (PHILLIPS)	2.000	2.00
PM1117A01	SHUNT,MAGNET FLUX STEEL XPY (REF 32D001)	2.000	3.00
MJ5002A01	SILICON RUBBER SEALANT, 732CL 10.3 OZ TU	0.010	38.00
X5CV4000A00	CV,XPY MAGNET COVER/BAND (REF 6D006)	1.000	24.00
27D008	BASE MOUNTING FOR XPY TACHOMETER	1.000	14.00
15XN0632A04	SCREW, 6/32 X 1/4" PAN, PHIL, M.S.	4.000	
23D019-4	TACH LABEL XPY 50 VOLTS FOOT MOUNT	1.000	24.00
15XN0632A04	SCREW, 6/32 X 1/4" PAN, PHIL, M.S.	4.000	
MG1000G28SPP	S-9282E CHARCOAL GREY 5GAHAZARDIOUS CHEM	0.030	231.00
MP1002A17	POLY.BAG 6X4.5X15X1.5MIL (REF YY6X4X15)	1.000	2.00
CPA1000	PACKING GROUP STD. SINGLE	1.000	7.00
BEC-LB-65	CARTON LABEL FOR TACH	1.000	2.00
LT0063A00	INSTR.,TACHOMETER SERVICE	1.000	

P601A101



- NOTES:
1. CCW ROTATION WHEN VIEWED FROM DRIVE END; TERMINAL 2 (+) TERMINAL 1 (-)
 2. FOR MAX. ACCURACY (LINERITY), GENERATORS MUST BE RUN AT VERY LOW LOADS.
 3. REVERSING ERROR FOR ALL UNITS LESS THAN 2%.

CUSTOMER IS RESPONSIBLE FOR DETERMINING THAT MOTOR PERFORMANCE IS SUITABLE IN THE APPLICATION.

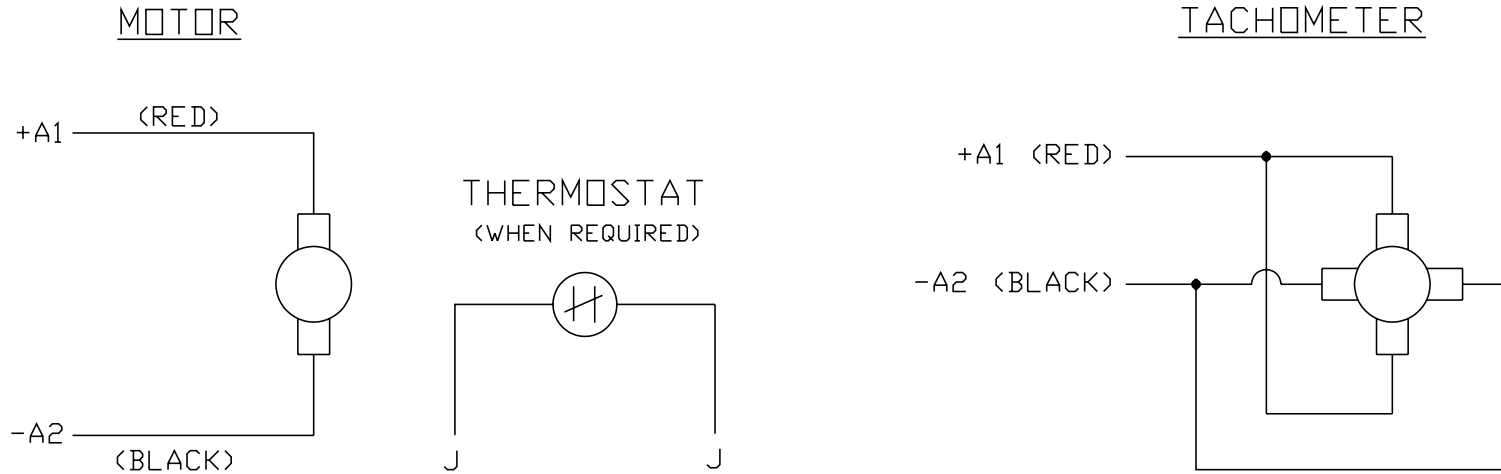
REV. DESC: NEW	VERSION: 00	TDR: 000000439019
REV. LTR: -	REVISED: 10; 34:15 07/30/2007	BY: CKWNB0
FILE: \CKA\00032\640		
MTL: -		

Baldor • Dodge • Reliance

LY,TACH XPY W/BASE

P601A101

CD0194



NOTES:

1. CCW ROTATION AS SHOWN FACING COMMUTATOR END. TO REVERSE MOTOR ROTATION OR TACHOMETER OUTPUT POLARITY INTERCHANGE LEADS A1(RED) & A2(BLACK)
2. LEAD COLORS FOR REFERENCE ONLY & NOT SPECIFIED BY THIS DRAWING. LEAD COLORS SPECIFIED BY LAYOUT DRAWING & BILL OF MATERIAL ONLY.

MATL: -			
REV:	E	ADDED NOTE "LEAD COLORS FOR REFERENCE ONLY &..."	
761000		SCALE: -	BY: CK
		REVISED: 07/28/95	
		FILE: AAA00004503	TDR: 0078737

BALDOR ELECTRIC Co.

CD TYPE P DC PERMANENT MAGNET MOTORS AND TACHOMETERS

CD0194