



A Regal Brand

Catalog # : 170013.60
Product Type: AC MOTOR
Description:

Model: 170013.60
Stock: Y

Quote: Price:

Date: 08/24/2018

Hazardous Loc
Explosion Proof
Class
Class

NONE

Temp Op Code
GROUP
GROUP

Brake Motors
FORCE
VDC
ADC
Brake Coil OHMs @25 C

Performance
Torque UOM
Torque
CURRENT (amps)
Efficiency (%)
PowerFactor

Inertia (WK²)

Load Curve Data @60/50 HzVolts,30Horsepower

Load	Amps	KW	RPM	Torque	Eff	PF	Rise By Resis	Frame Rise
0.0	12.5	0.5	1800	0.0	0.0	5.0	0.0	-
0.25	15.5	6.2	1795	22.0	91.0	50.0	0.0	-
0.5	21.0	0.0	1790	44.3	94.1	71.0	0.0	-
0.75	28.8	0.0	1785	66.3	94.5	80.0	0.0	-
1.0	35.5	23.9	1780	88.5	94.1	83.5	45.0	-
1.15	40.8	27.5	1778	102.0	93.6	84.5	60.0	-
1.25	43.5	0.0	1775	0.0	93.0	85.0	75.0	-

SOURCE: CALCULATED GROUP: 3

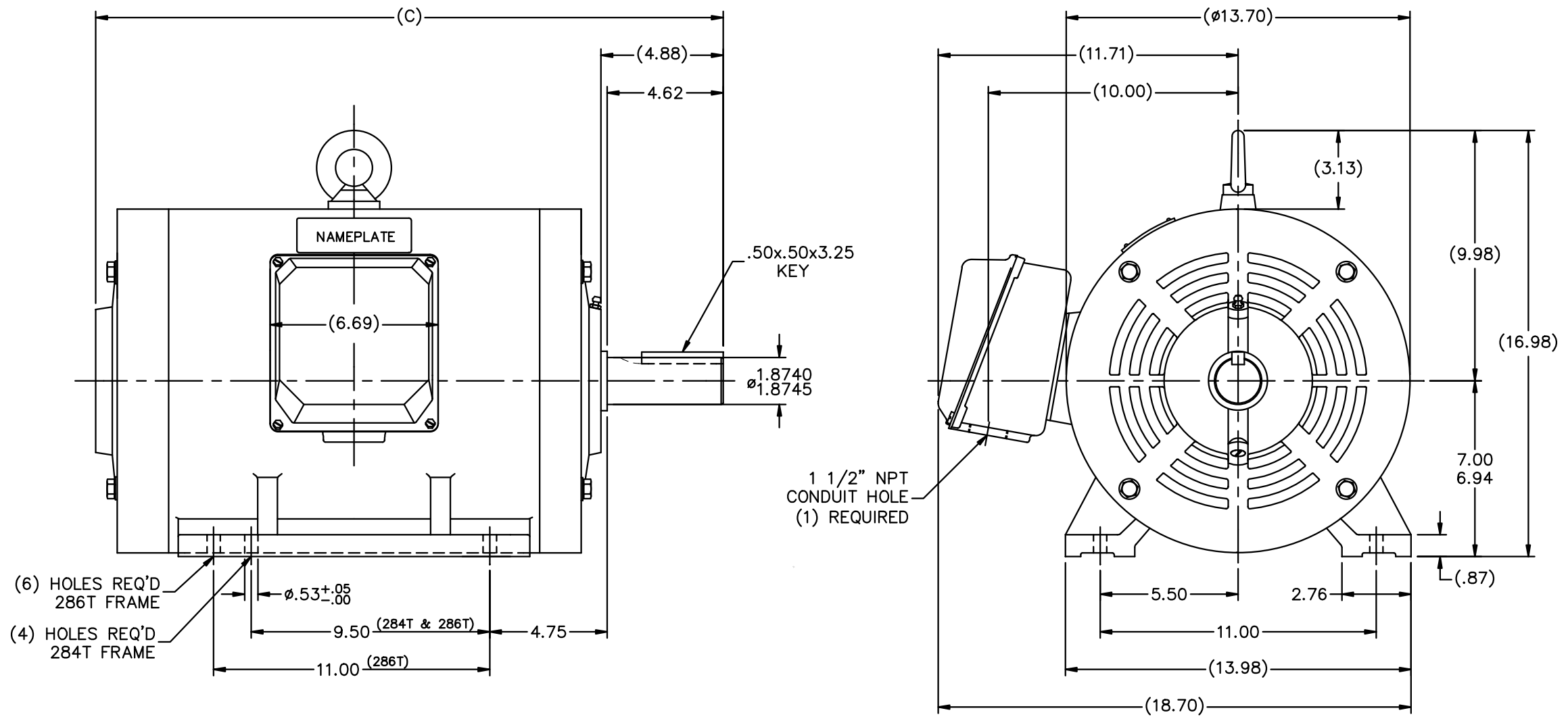
Load Curve Data @60/50HzVolts,30Horsepower

Load	Amps	KW	RPM	Torque	Eff	PF	Rise By Resis	Frame Rise
------	------	----	-----	--------	-----	----	---------------	------------

Load Curve Data Not Available

Quote: Price:

Date: 08/24/2018



(DRAWING MAY NOT BE TO SCALE)

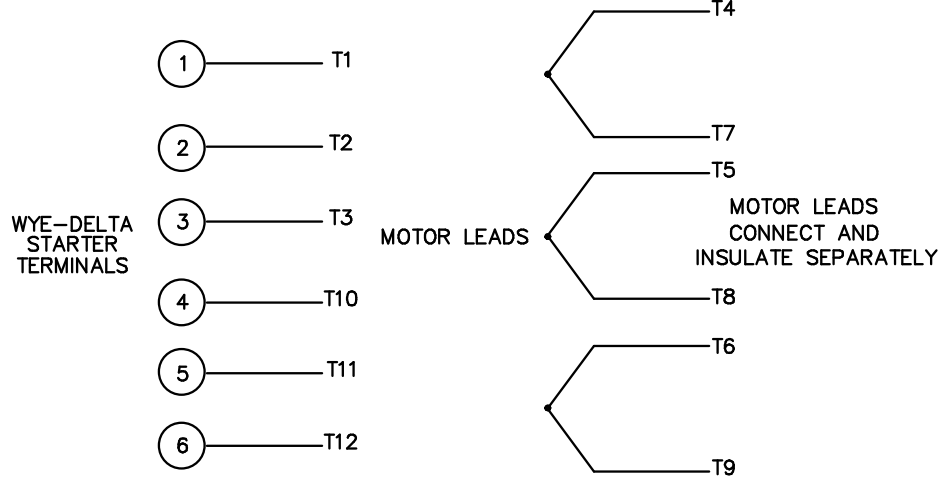
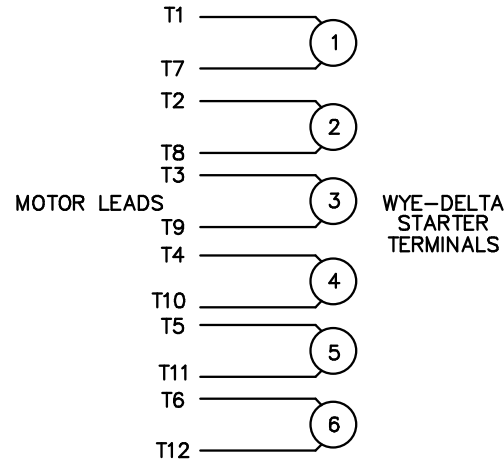
284T	23.54
286T	25.00
FRAME DESIGN	"C"

		TOLERANCES UNLESS SPECIFIED		LEESON ELECTRIC MOTORS GEARMOTORS AND DRIVES	DRAWN MSG 12-06-2005
		DEC.	INCHES		CHK ML 12-08-2005
		.X	± 0	TITLE OUTLINE 280T FR. - DRIP PROOF - RIGID	APPD GK 12-08-2005
		.XX	± 0		SCALE 1=4
		.XXX	± 0	MAT'L	REF 169552-60
		.XXXX	± 0	FINISH	FMF
NO.	REVISION	BY & DATE	CHK	ANG	PREV
THIS DRAWING IN DESIGN AND DETAIL IS OUR PROPERTY AND MUST NOT BE USED EXCEPT IN CONNECTION WITH OUR WORK ALL RIGHTS OF DESIGN AND INVENTION ARE RESERVED THIS IS AN ELECTRONICALLY GENERATED DOCUMENT - DO NOT SCALE THIS PRINT				RFP 12-09-2005	CAD FILE 169552_60le
				DIST LB	SIZE B
				DRAWING NO. 169552-60LE	PAGE OF
				REV.	

WYE - DELTA STARTING USEABLE ON 2,4 AND 6 POLE MOTORS.

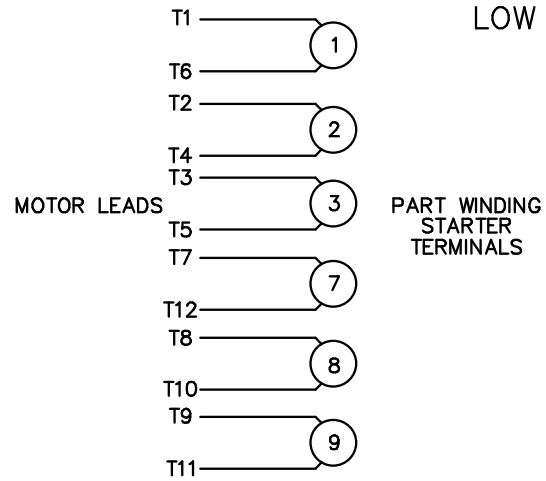
LOW VOLTAGE CONNECTION

HIGH VOLTAGE CONNECTION



REFER TO THE WYE-DELTA STARTER CONNECTION INSTRUCTIONS FOR PROPER CONNECTION OF POWER LINES TO STARTER.

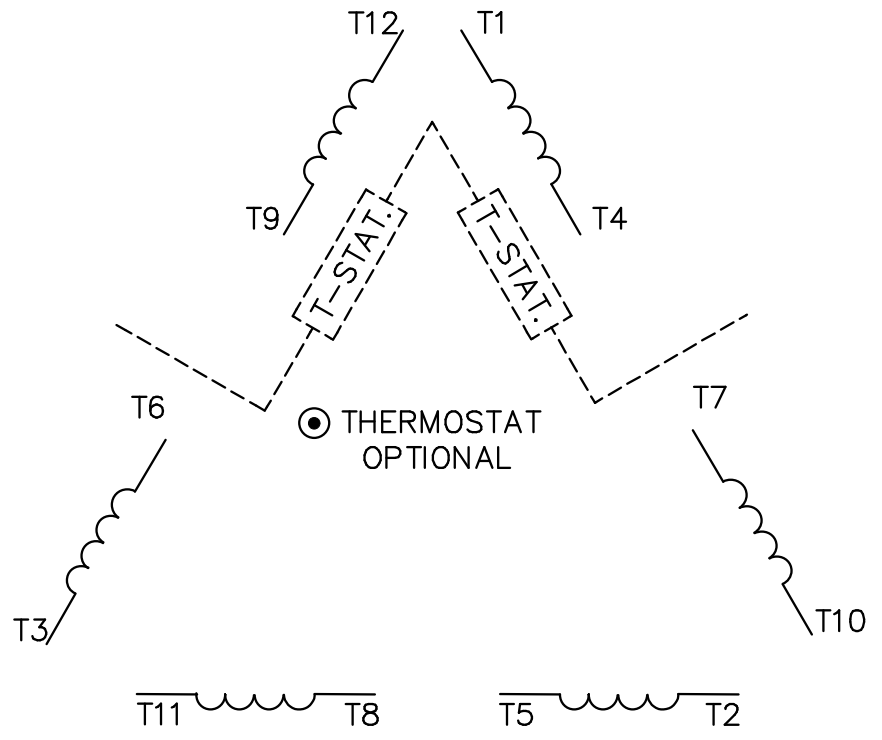
PART WINDING START USABLE ON 4 & 6 POLE MOTORS LOW VOLTAGE CONNECTION ONLY



REFER TO THE PART WINDING STARTER INSTRUCTIONS FOR PROPER CONNECTION OF POWER LINES TO STARTER.

REFER TO THE CUTLER - HAMMER OR EQUIV. FOR PROPER SELECTION OF OVERLOAD HEATER COILS.

LINE LEADS



ROTATION CAN BE REVERSED BY INTERCHANGING ANY TWO LINE LEADS
 ⊙ RED LEADS OR P1, P2, FOR N/C THERMOSTAT

ACROSS THE LINE START & RUN

	LINE 1	LINE 2	LINE 3	JOIN & INSULATE SEPARATELY
HIGH VOLT	T1, T12	T2, T10	T3, T11	(T4, T7) (T5, T8) (T6, T9)
LOW VOLT	T1, T6 T7, T12	T2, T4 T8, T10	T3, T5 T9, T11	



ELECTRIC MOTORS
GEARMOTORS
AND DRIVES

DRAWN WLW 09/08/77
CHK RPB 09/12/77
APPD JCW 09/12/77

NO.	REVISION	BY & DATE	CHK	TOLERANCES UNLESS SPECIFIED		FINISH
				DEC.	INCHES	
03	REV'D LOW VOLTAGE CONN. LEADS PER ELEC.	BJB 06/07/00		.X	±.1	
02	ADDED T-STAT. NOTES PER ELECTRICAL	KMM 06/02/98		.XXX	±.005	
01	REDRAWN TO CAD	DBT 06/02/97		.XXXX	±.0005	
				ANG	±1/2°	

THIS DRAWING IN DESIGN AND DETAIL IS OUR PROPERTY AND MUST NOT BE USED EXCEPT IN CONNECTION WITH OUR WORK ALL RIGHTS OF DESIGN AND INVENTION ARE RESERVED THIS IS AN ELECTRONICALLY GENERATED DOCUMENT - DO NOT SCALE THIS PRINT

RFP	CAD FILE	00417201	SIZE	DRAWING NO.	REV.
DIST			A	004172-01	03