



A Regal Brand

Catalog # : 132234.00
Product Type: AC MOTOR
Description:

Model: 132234.00
Stock: Y

Quote: Price:

Date: 08/23/2018



A Regal Brand

Catalog # : 132234.00
Product Type: AC MOTOR
Description:

Model: 132234.00
Stock: Y

Engineering Data

Volts	230	Volts	460	Volts	190/380
F.L. Amps	8	F.L. Amps	4	F.L. Amps	6.8/3.4
S. F Amps	9	S. F Amps	4.5	S. F Amps	8/4

RPM	1800	Hertz	60/50	TYPE	TD
HP	3	Duty	CONTINUOUS	Phase	3
KW	2.24	Serv. Factor	1.15	Code	K
Frame	182T	Design	B	Therm.Prot.	BYJ38KL
Max Amb	40	Protection	AUTOMATIC	PF	79.3
Insul Class	F	Eff 75%		Bearing OPE	6205
Eff 100%	89.5	CSA	Yes	Bearing PE	6206
UL	Y-(LEESON UL REC)	CE	Yes	Speed Range	NONE
CC Number	CC005A	Inverter Type			
Load Type					

Motor Wt.	76.4 LB	Enclosure	DP	Lubrication	POLYREX EM
Nameplate	081299.02	Mounting	RIGID	Rotation	REV
Assembly	180-002	Shaft Dia.	1 23/64 IN	Ext. Diag.	005020.02
Cust Part No		Outline	035468-900	Ext. Diag2	
Packaging	B	Outline Dash No		Winding	T84173
Carton Label	Leeson Gen Purpose			GROUP :	9
Iris		Paint	GREEN - LEESON WATTSaver	Test Card	01

Form Factor		RMS Amps		Const TorqueSpeed Range	
Torque		Peak			
AB Code		Peak@DegC			
Resistance					
Connection					

Rework Status Rework TYPE

Hazardous Loc
Explosion Proof
Class
Class

NONE

Temp Op Code
GROUP
GROUP

Brake Motors
FORCE
VDC
ADC

Brake Coil OHMs @25 C

Performance
Torque UOM
Torque
CURRENT (amps)
Efficiency (%)
PowerFactor

Inertia (WK²)

Load Curve Data @60/50 HzVolts,3Horsepower

Load	Amps	KW	RPM	Torque	Eff	PF	Rise By Resis	Frame Rise
0.0	2.0	0.11	1800	0.0	0.0	6.9	0.0	-
0.25	2.2	0.68	1790	2.19	82.0	38.8	0.0	-
0.5	2.6	1.265	1779	4.4	88.2	61.1	0.0	-
0.75	3.2	1.865	1767	6.64	89.5	73.2	0.0	-
1.0	4.0	2.5	1760	8.9	89.5	79.3	31.0	-
1.15	4.5	2.9	1752	10.27	90.0	80.9	38.0	-
1.25	4.8	3.125	1745	11.2	89.6	81.7	0.0	-

SOURCE: CALCULATED GROUP: 9

Load Curve Data @60/50HzVolts,3Horsepower

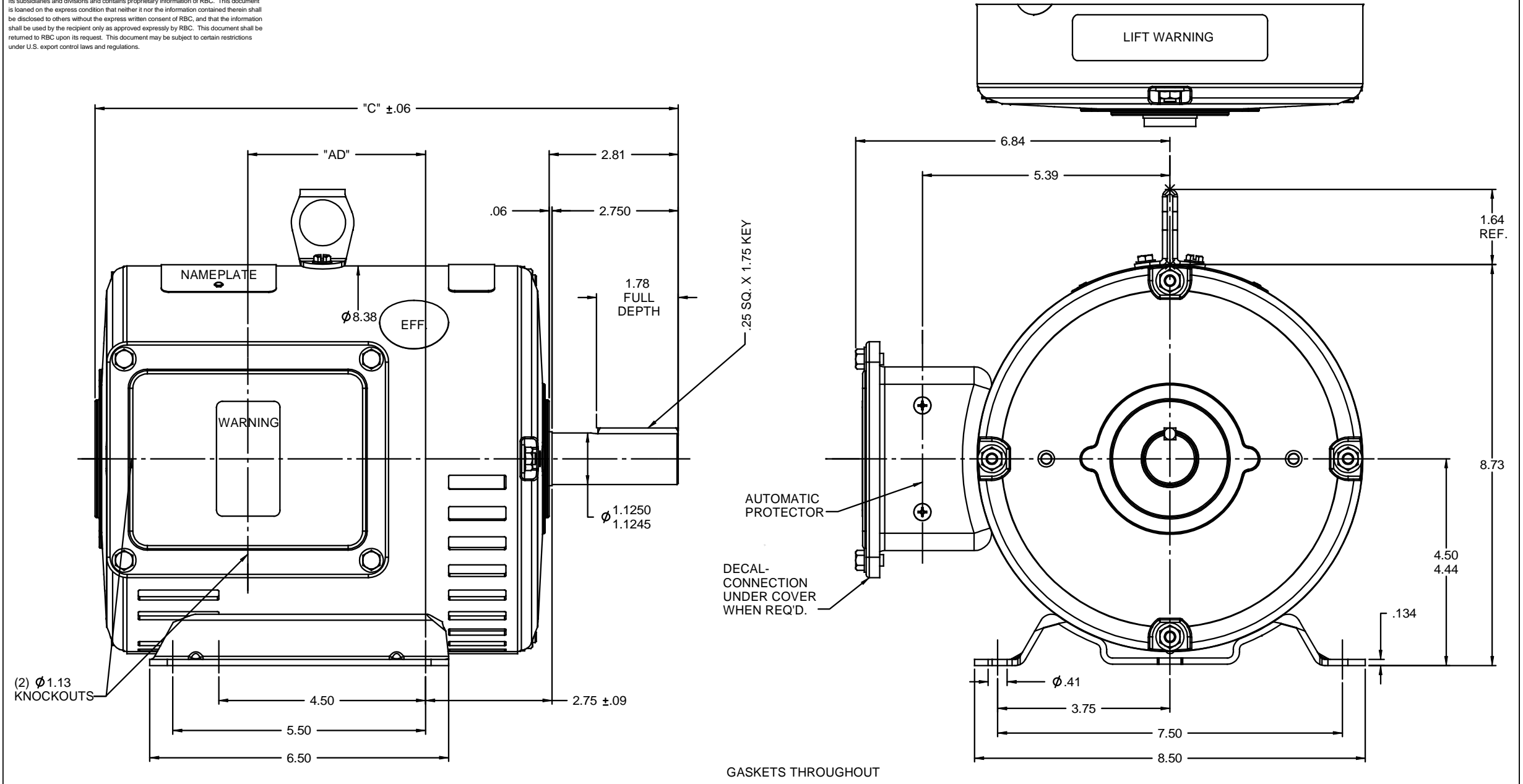
Load	Amps	KW	RPM	Torque	Eff	PF	Rise By Resis	Frame Rise
------	------	----	-----	--------	-----	----	---------------	------------

Load Curve Data Not Available

Quote: Price:

Date: 08/23/2018

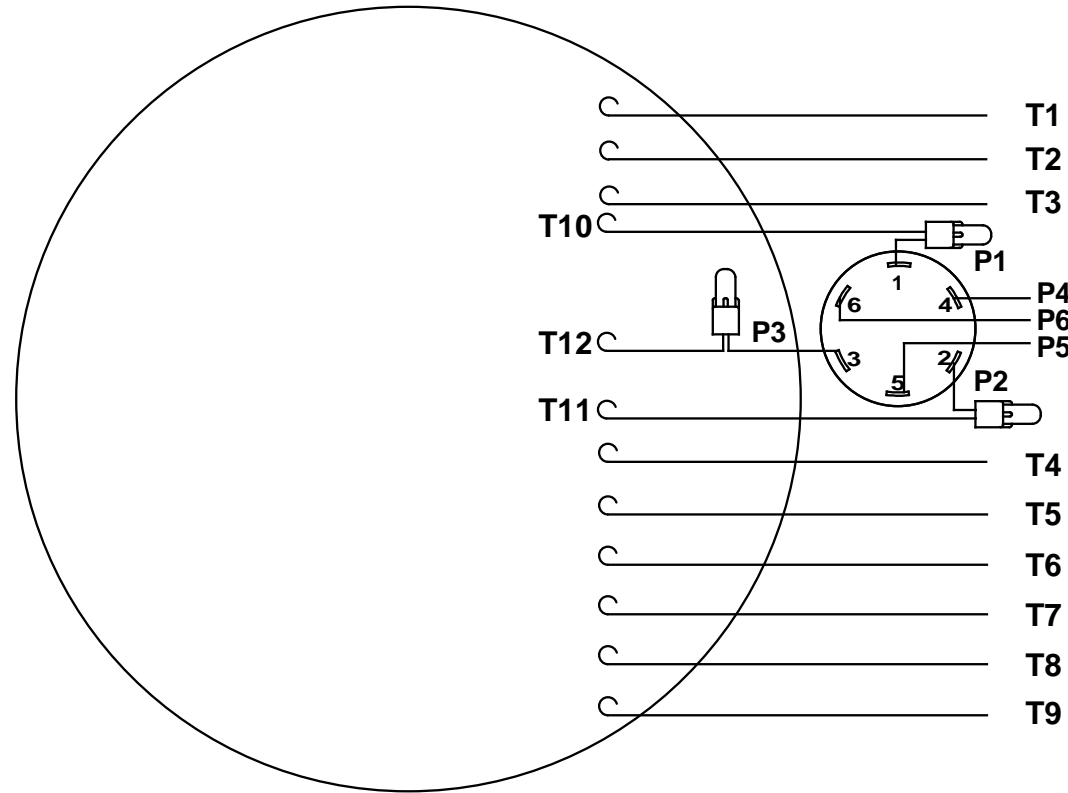
RBC PROPRIETARY AND CONFIDENTIAL INFORMATION
 This document is the property of REGAL BELOIT CORPORATION ("RBC") including its subsidiaries and divisions and contains proprietary information of RBC. This document is loaned on the express condition that neither it nor the information contained therein shall be disclosed to others without the express written consent of RBC, and that the information shall be used by the recipient only as approved expressly by RBC. This document shall be returned to RBC upon its request. This document may be subject to certain restrictions under U.S. export control laws and regulations.



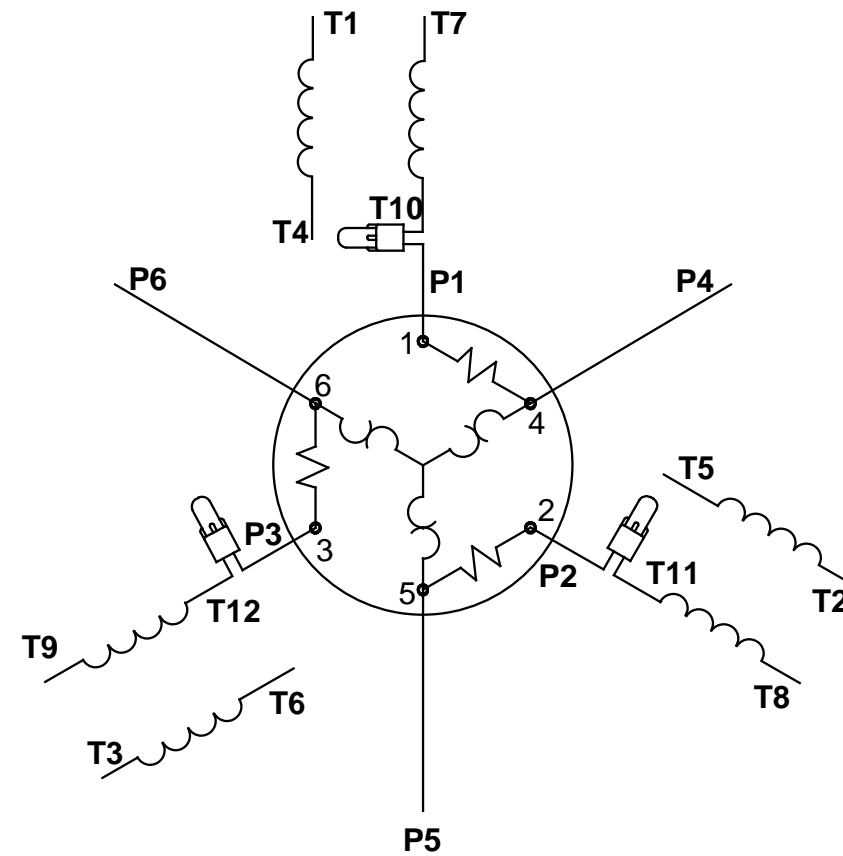
DASH NO.	"C"	"AD"
850	12.69	3.88
900	13.19	4.38
950	13.69	4.88
1000	14.19	5.38
1050	14.69	5.88
1100	15.19	6.38
1150	15.69	6.88

TOLERANCES UNLESS SPECIFIED		REGAL BELOIT CORPORATION		DRAWN RDW 2/28/03				
DEC	INCHES			CHK				
X	±.1			APPR	SW 2/28/03			
XX	±.03	TITLE OUTLINE - 180T FRAME		SCALE	1:2			
XXX	±.005	DRIP PROOF - RIGID		REF	035464			
XXXX	±.0005	MAT'L GENERAL PURPOSE		FMF				
NO	REVISION	BY & DATE	CHK	ANG	±1/2°	FINISH	PAGE	OF
	UPDATED & REDRAWN IN SOLIDWORKS	LST 12/23/2009	XX					
	THIRD ANGLE PROJECTION	RFP		PREV	SIZE	DRAWING NO	REV	
		NETWORK FILE NAME			B	035468	-	

VIEW FROM OUTSIDE OF MOTOR AT SWITCH END.



LINE LEADS



RBC PROPRIETARY AND CONFIDENTIAL INFORMATION
 This document is the property of REGAL BELOIT CORPORATION ("RBC") including its subsidiaries and divisions and contains proprietary information of RBC. This document is loaned on the express condition that neither it nor the information contained therein shall be disclosed to others without the express written consent of RBC, and that the information shall be used by the recipient only as approved expressly by RBC. This document shall be returned to RBC upon its request. This document may be subject to certain restrictions under U.S. export control laws and regulations.

VOLTAGE	L1	L2	L3	JOIN	SEPARATE
HIGH	T1	T2	T3	(T4,T7) (T5,T8) (T6,T9)	(P4) (P5) (P6)
LOW	T1,T7	T2,T8	T3,T9	(T4,P4) (T5,P5) (T6,P6)	

TOLERANCES UNLESS SPECIFIED

DEC	INCHES
.X	±.1
.XX	±.01
.XXX	±.005
.XXXX	±.0005
ANG	±1/2°



ELECTRIC MOTORS
 GEARMOTORS
 AND DRIVES

TITLE EXTERNAL WIRING DIAGRAM
 TYPE "T" W/PROTECTOR

MAT'L DECAL - 004023-01

DRAWN VJB 02/18/11

CHK

APPR

SCALE 1:1

REF

FMF

PAGE OF

02 ADDED REV TO AGREE WITH ORACLE

ARV 4/26/2011

KH

.XXXX ±.0005

NO REVISION

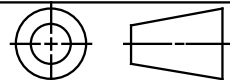
BY & DATE

CHK

ANG ±1/2°

FINISH

THIRD ANGLE PROJECTION



RFP

PREV

SIZE

DRAWING NO

REV

NETWORK FILE NAME 00502002

A

005020-02

02