



A Regal Brand

Catalog # : 199685.00  
Product Type: AC MOTOR  
Description:

Model: 199685.00  
Stock: Y

Quote:            Price:

Date: 08/23/2018



Hazardous Loc  
Explosion Proof  
Class  
Class

NONE

Temp Op Code  
GROUP  
GROUP

Brake Motors  
FORCE  
VDC  
ADC

Brake Coil OHMs @25 C

Performance  
Torque UOM  
Torque  
CURRENT (amps)  
Efficiency (%)  
PowerFactor

Inertia (WK<sup>2</sup>)

Load Curve Data @60/50 HzVolts,1 1/2Horsepower

Load	Amps	KW	RPM	Torque	Eff	PF	Rise By Resis	Frame Rise
0.0	1.25	0.15	1200	0.0	0.0	6.0	0.0	-
0.25	1.35	0.35	1195	1.65	81.0	32.0	0.0	-
0.5	1.6	0.65	1190	3.3	86.5	51.0	0.0	-
0.75	1.9	1.0	1185	5.0	86.5	63.0	0.0	-
1.0	2.2	1.3	1180	6.7	86.5	69.0	25.0	-
1.15	2.5	1.5	1178	7.7	85.5	71.0	30.0	-
1.25	2.7	1.6	1175	8.4	84.0	73.0	35.0	-

SOURCE: CALCULATED GROUP: 1

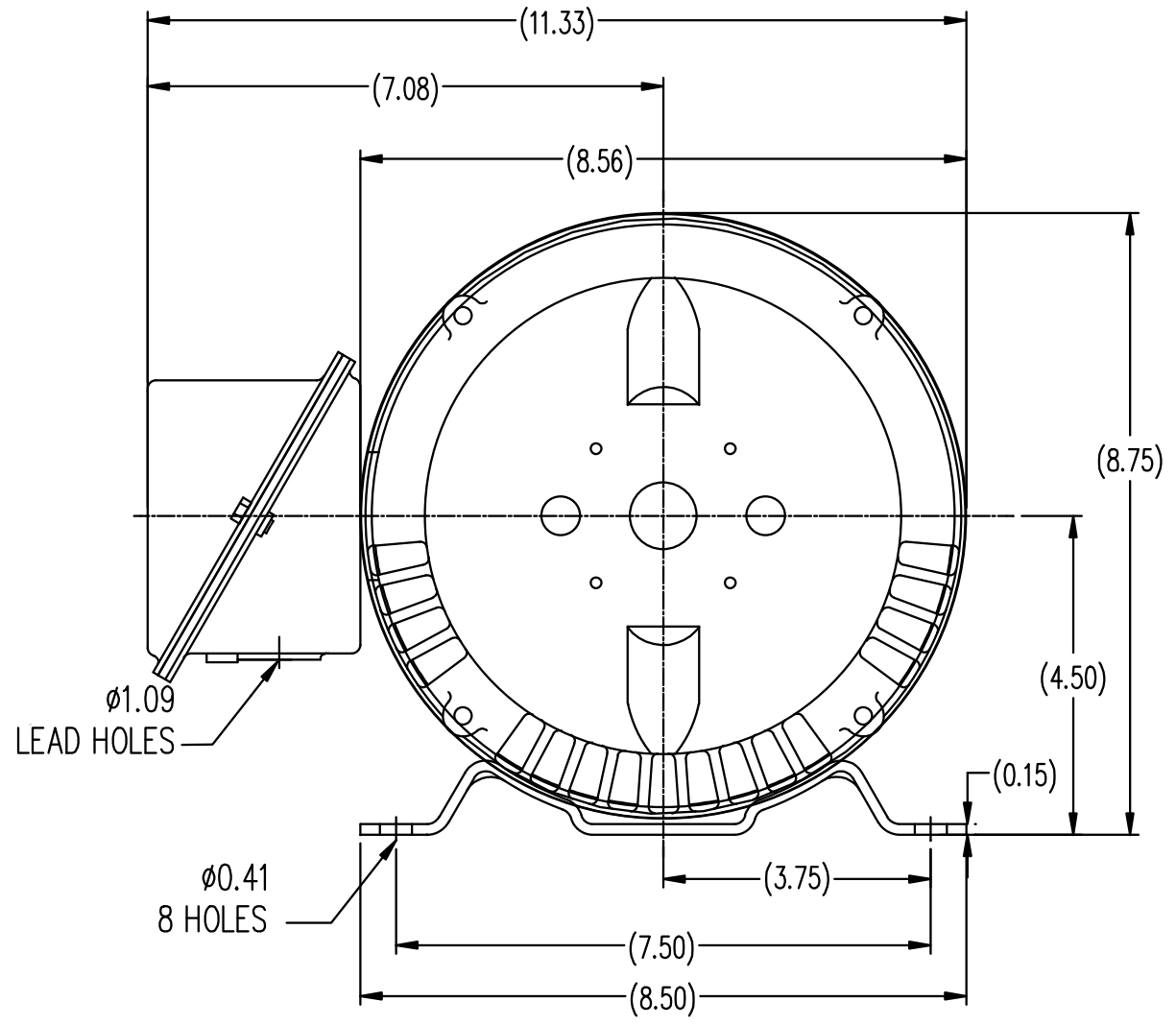
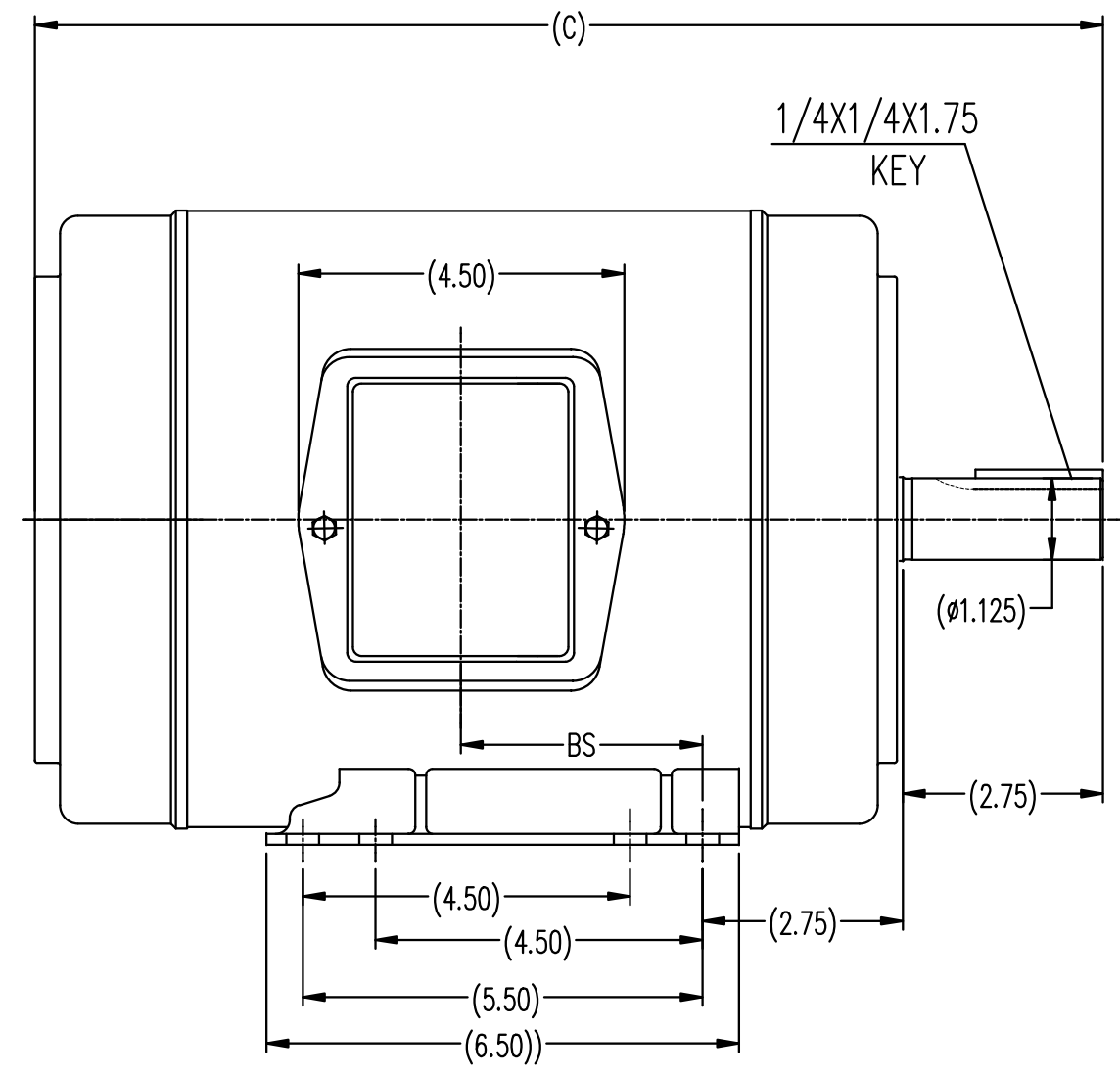
Load Curve Data @60/50HzVolts,1 1/2Horsepower

Load	Amps	KW	RPM	Torque	Eff	PF	Rise By Resis	Frame Rise
------	------	----	-----	--------	-----	----	---------------	------------

Load Curve Data Not Available

Quote: Price:

Date: 08/23/2018

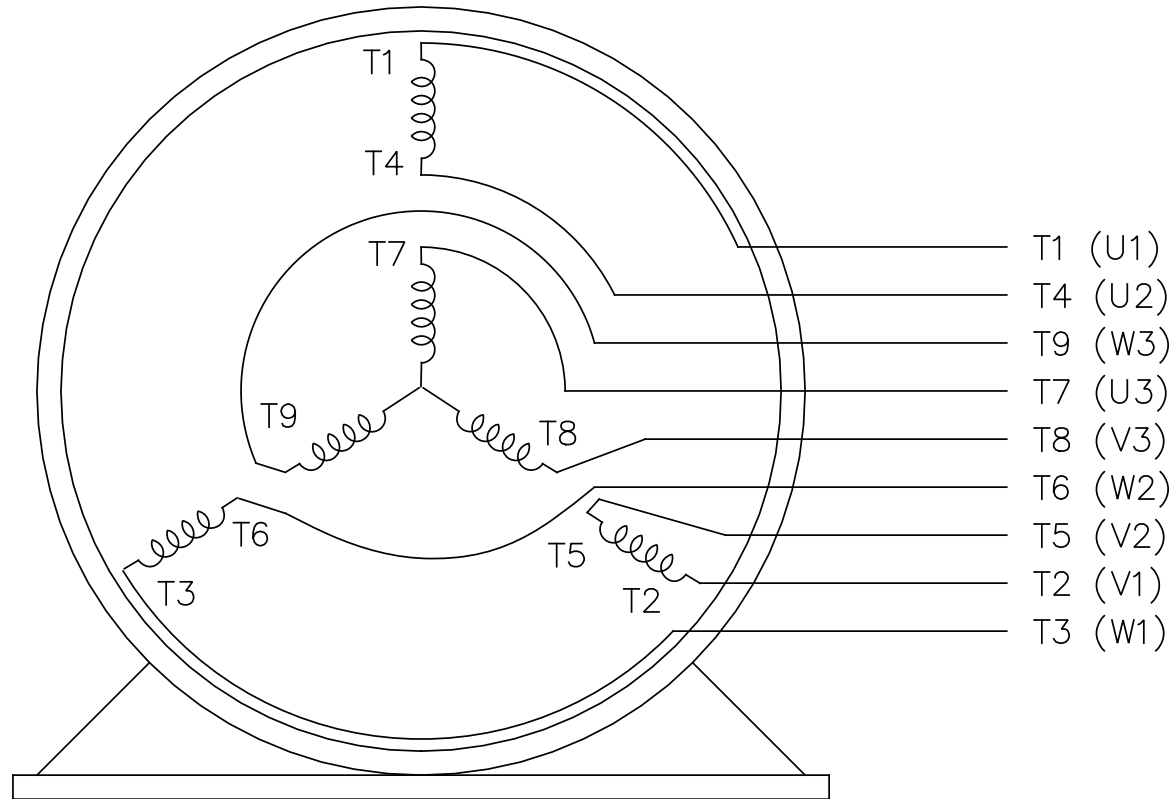
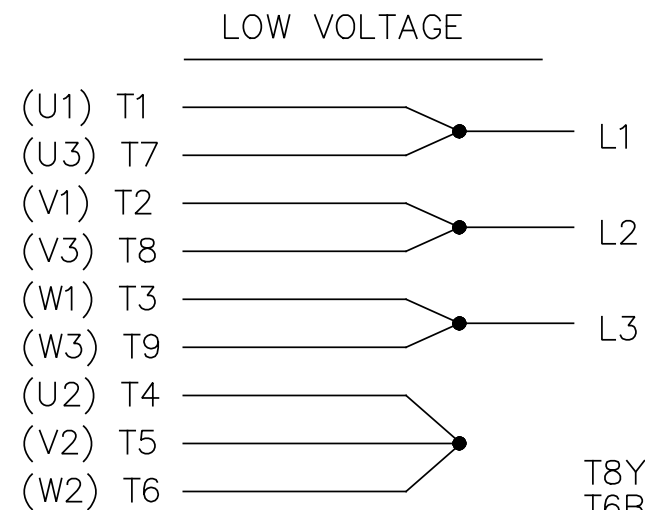
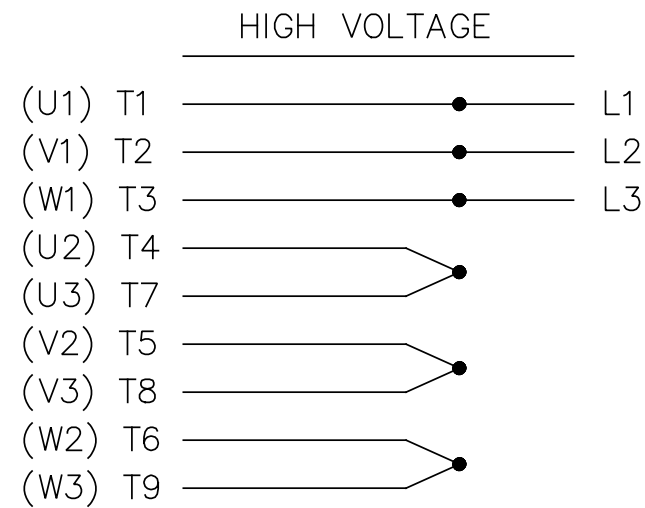


182T	13.72	2.75
184T	14.72	3.25
FRAME	C	BS

		TOLERANCES UNLESS SPECIFIED				DRAWN ZYH 03-05-2010	
		DEC.	INCHES			CHK HZJ 03-05-2010	
		.X	±.1		APPD CL 03-05-2010	SCALE	1=2
		.XX	±.03	TITLE	OUTLINE		REF
		.XXX	±.005	182/184T FR ODP-ROLL STEEL		FMF	HWADA
1	CORRECTED DIMENSIONS	MOL 8/30/2011	.XXXX	±.0005	MATL.	PREV	
NO.	REVISION	BY & DATE	CHK	ANG	±1/2-	FINISH	
THIS DRAWING IN DESIGN AND DETAIL IS OUR PROPERTY AND MUST NOT BE USED EXCEPT IN CONNECTION WITH OUR WORK ALL RIGHTS OF DESIGN AND INVENTION ARE RESERVED THIS IS AN ELECTRONICALLY GENERATED DOCUMENT - DO NOT SCALE THIS PRINT			RFP	CAD FILE	SS620292	SIZE	DRAWING NO.
			DIST			B	SS620292
							REV. 1

THREE PHASE  
DUAL VOLTAGE MOTOR

EE7308



T1 (U1)  
T4 (U2)  
T9 (W3)  
T7 (U3)  
T8 (V3)  
T6 (W2)  
T5 (V2)  
T2 (V1)  
T3 (W1)

VIEW OF TERMINAL END

REF.  
WINDING DIAGRAM

T8Y, T2Y, T2BL, T4BX, T2EC, T2G  
T6BZ, T2B, T6BL, T4AV, T6B, T4B

OPTIONAL CORD  
CONNECTION

L1 WHITE  
L2 RED  
L3 BLACK

NO.	REVISION	BY & DATE	CHK	ANG	TOLERANCES UNLESS SPECIFIED	FINISH	PREV		
5	CHG TO REGAL LOGO	SL 09/10/2015	AB	DEC.	INCHES		DRAWN RM 11/20/1990		
4	REVISED IEC NOTATIONS	MSG 11/15/2011	CMN	.X	±.1		CHK ML 11/21/1990		
3	ADDED IEC NOTATIONS... (U1), (V1) ETC. MU95194	MSG 5/10/2010	MJS	.XX	±.02		APPD SAS 04/24/2003		
2	ADDED THE OPTIONAL CORD CONNECTION MU46318	RDH 04/24/2003	DRS	.XXX	±.005	TITLE CONNECTION DIAGRAM 3φ - DUAL VOLTAGE MOTOR	SCALE 1=1		
1	REDRAWN	RM 11/20/1990		.XXXX	±.0005	MAT'L.	REF		
					±7'30"		FMF		
			RFP			CAD FILE ee7308	PREV		
			DIST	WP					
THIS DRAWING IN DESIGN AND DETAIL IS OUR PROPERTY AND MUST NOT BE USED EXCEPT IN CONNECTION WITH OUR WORK ALL RIGHTS OF DESIGN AND INVENTION ARE RESERVED THIS IS AN ELECTRONICALLY GENERATED DOCUMENT - DO NOT SCALE THIS PRINT						SIZE A	DRAWING NO. EE7308	PAGE 5 OF 5	REV. 5

