



A Regal Brand

Catalog # : 101079.00
Product Type: AC MOTOR
Description:

Model: 101079.00
Stock: Y

Quote: Price:

Date: 08/17/2018



A Regal Brand

Catalog # : 101079.00
Product Type: AC MOTOR
Description:

Model: 101079.00
Stock: Y

Engineering Data

Volts	208-230	Volts	460	Volts	
F.L. Amps	1.5-1.6	F.L. Amps	.8	F.L. Amps	
S. F Amps	1.7-1.8	S. F Amps	.9	S. F Amps	

RPM	1800	Hertz	60	TYPE	TF
HP	1/3	Duty	CONTINUOUS		
KW	.246				
Frame	S56	Serv. Factor	1.15	Phase	3
Max Amb	40	Design	B	Code	M
Insul Class	B	Protection	NOT	Therm.Prot.	
Eff 100%	64.3	Eff 75%		PF	61.1
UL	Y-(LEESON UL REC)	CSA	Yes	Bearing OPE	6203
CC Number	EXEMPT	CE	No	Bearing PE	6203
Load Type		Inverter Type		Speed Range	NONE

Motor Wt.	22 LB	Enclosure	TEFC	Lubrication	MULTEMP SRL
Nameplate	A-92005-4	Mounting	RIGID	Rotation	REV
Assembly	LO101079	Shaft Dia.	5/8 IN	Ext. Diag.	005010.01
Cust Part No		Outline	031632-500	Ext. Diag2	
Packaging	B	Outline Dash No		Winding	TE48414
Carton Label	Leeson Gen Purpose			GROUP :	3
Iris		Paint	BLUE - LEESON (ENAMEL)	Test Card	

Form Factor		RMS Amps		Const TorqueSpeed Range	
Torque		Peak			
AB Code		Peak@DegC			
Resistance					
Connection					

Rework Status Rework TYPE

Hazardous Loc
Explosion Proof
Class
Class

NONE

Temp Op Code
GROUP
GROUP

Brake Motors
FORCE
VDC
ADC

Brake Coil OHMs @25 C

Performance					
Torque UOM	OZ-FT		Inertia (WK ²)	.035 LB-FT ²	
Torque	16.03(Full Load)		82.31(Break Down)	66.56(Pull Up)	67.11(Locked Rotor)
CURRENT (amps)	1.73(Full Load)		6.69(Break Down)	9.36(Pull Up)	9.41(Locked Rotor)
Efficiency (%)	0(Full Load)		61(75% Load)	52(50% Load)	35.5(25% Load)
PowerFactor	0(Full Load)		44.8(75% Load)	35.8(50% Load)	27(25% Load)

Load Curve Data @60 HzVolts, 1/3Horsepower

Load	Amps	KW	RPM	Torque	Eff	PF	Rise By Resis	Frame Rise
0.0	1.78	0.122	1800	0.0	0.0	17.2	0.0	-
0.25	1.66	0.179	1786	4.0	35.5	27.0	0.0	-
0.5	1.69	0.241	1773	8.0	52.0	35.8	0.0	-
0.75	1.72	0.307	1760	12.0	61.0	44.8	0.0	-
1.0	1.79	0.376	1476	16.0	66.0	52.6	50.0	-
1.25	1.87	0.445	1731	20.0	69.1	59.7	0.0	-
1.5	1.98	0.518	1714	24.0	70.5	65.6	0.0	-
1.75	2.11	0.595	1697	28.0	70.9	70.8	0.0	-
2.0	2.24	0.674	1679	32.0	70.8	75.5	0.0	-
1.15	1.9	0.447	1735	20.3	70.0	65.0	0.0	-

SOURCE: CALCULATED GROUP: 3

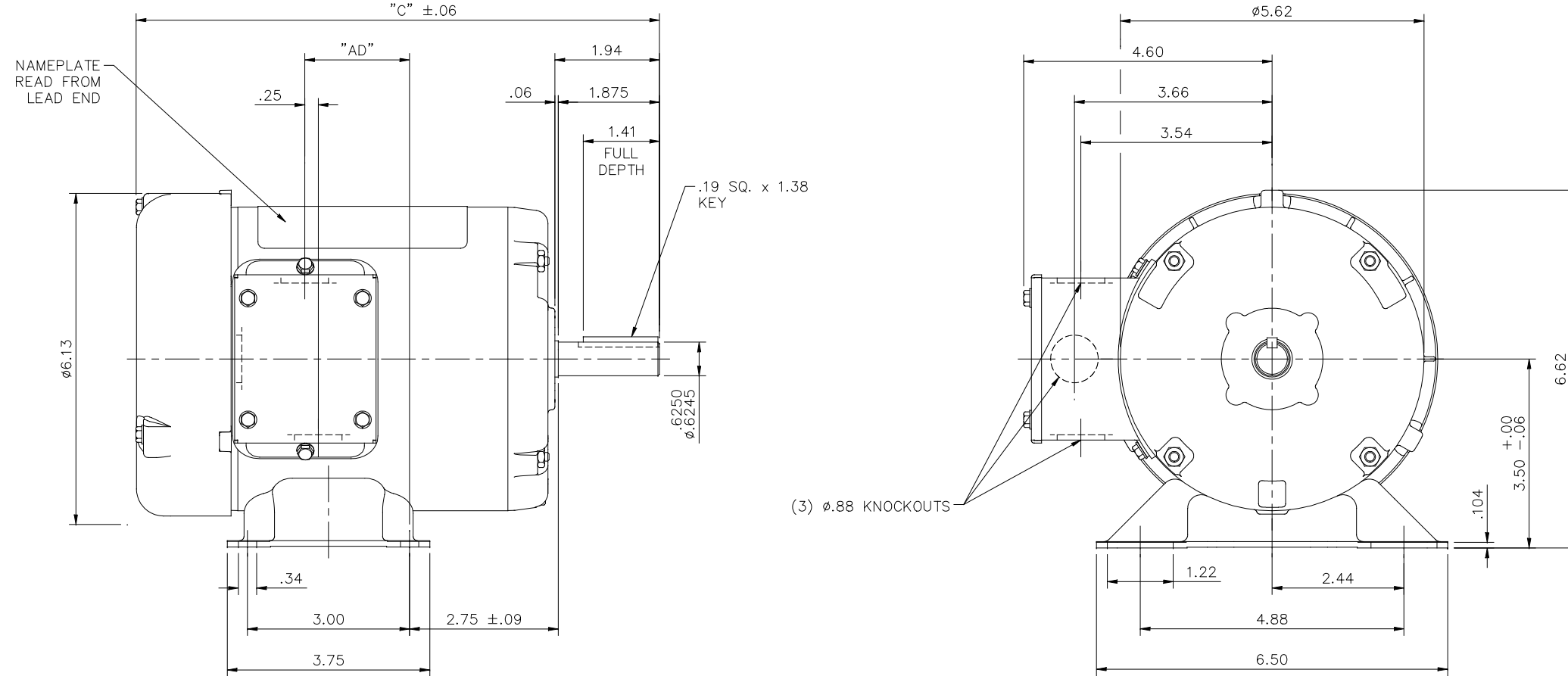
Load Curve Data @60HzVolts, 1/3Horsepower

Load	Amps	KW	RPM	Torque	Eff	PF	Rise By Resis	Frame Rise
------	------	----	-----	--------	-----	----	---------------	------------

Load Curve Data Not Available

Quote: Price:

Date: 08/17/2018



DASH NO.	"C"	"AD"
500	9.69	1.94
525	9.94	2.19
550	10.19	2.44
575	10.44	2.69
600	10.69	2.94
625	10.94	3.19
650	11.19	3.44
675	11.44	3.69

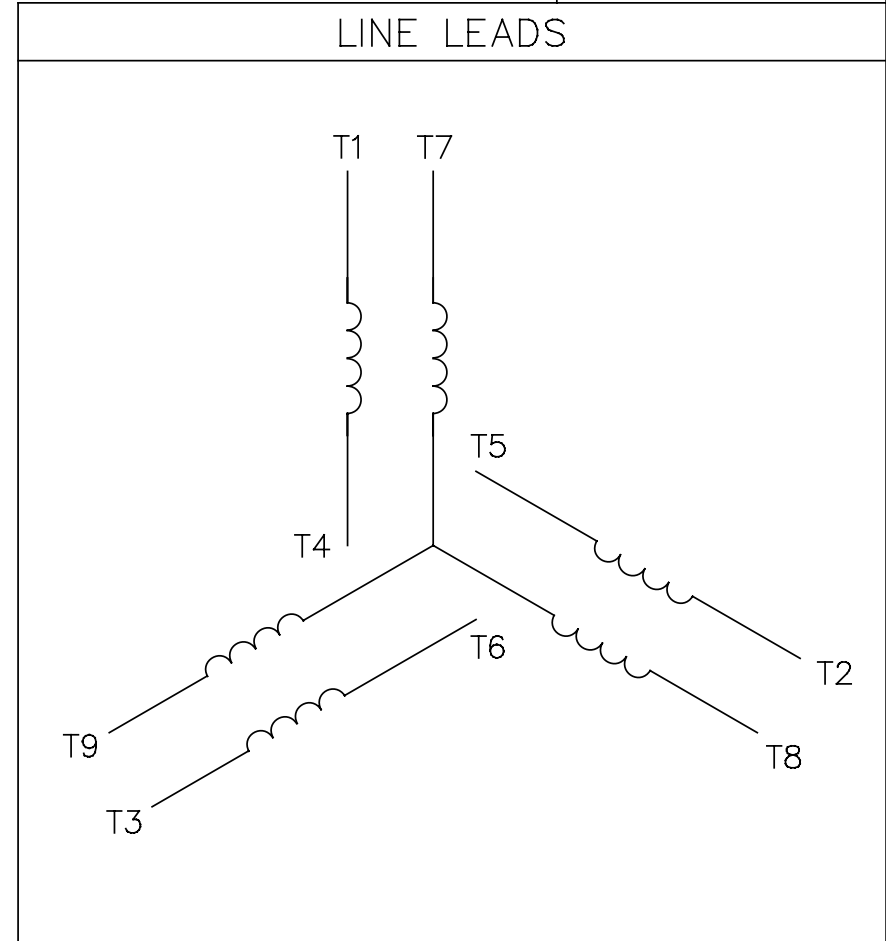
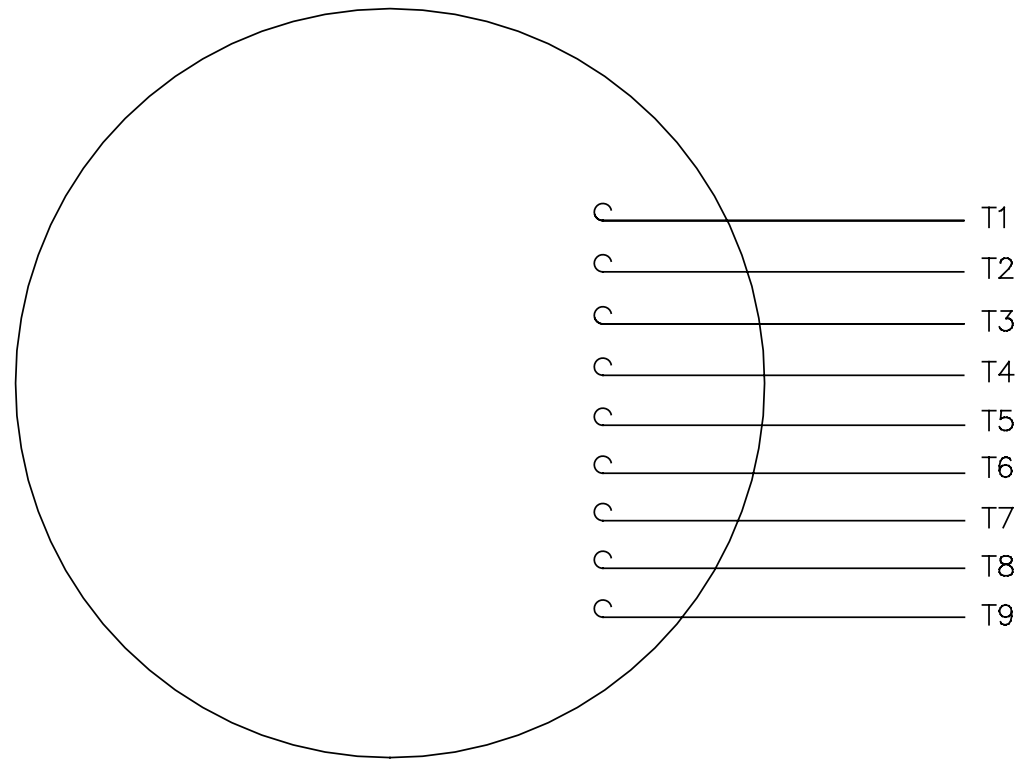
GASKETS THROUGHOUT

					TOLERANCES UNLESS OTHERWISE SPECIFIED			LEESON ELECTRIC CORPORATION					
					DEC.	INCHES	METRIC						
					.X	±.1	±2.5	DRAWN	PG 5/30/01	TITLE	OUTLINE - S56 FRAME		
					.XX	±.03	±.76	APPR.			RIGID MOUNT - TEFC		
A	ADDED NAMEPLATE ORIENTATION				DS	04/05/18	PVR	.XXX	±.005	±.127	R.F.P.	MAT'L.	3 PHASE
NO.	REVISION				BY & DATE	CH'K'D.	.XXXX	±.0005	±.0127	SCALE	1=2		
THIS DRAWING IN DESIGN AND DETAIL IS OUR PROPERTY AND MUST NOT BE USED EXCEPT IN CONNECTION WITH OUR WORK ALL RIGHTS OF DESIGN AND INVENTION ARE RESERVED THIS IS AN ELECTRONICALLY GENERATED DOCUMENT - DO NOT SCALE THIS PRINT					FRACTIONS	±1/64	REF.	030391	FINISH	REV.	DRAWING NO.		
					ANGLES	±1/2°	FMF	101078		A	031632		

Uncontrolled Copy

005010-01

VIEW FROM OUTSIDE OF MOTOR AT SWITCH END.



VOLTAGE	L1	L2	L3	JOIN & INSULATE
HIGH	T1	T2	T3	(T4,T7) (T5,T8) (T6,T9)
LOW	T1,T7	T2,T8	T3,T9	T4,T5,T6

		TOLERANCES UNLESS SPECIFIED		REGAL™ Regal Beloit America, Inc.		DRAWN RDW 04/12/02				
		DEC.	INCHES	TITLE		CHK				
		.X	±.1	EXTERNAL WIRING DIAGRAM		APPD				
		.XX	±.01	3 PHASE W/O PROTECTOR		SCALE 1=1				
		.XXX	±.005	MAT'L. DECAL - 004014		REF FIG.2-51				
A	UPDATED TO REGAL LOGO	SAJ	06/26/15	AJY	.XXXX	±.0005	FMF			
NO.	REVISION	BY & DATE	CHK	ANG	±1/2'	FINISH	PREV			
THIS DRAWING IN DESIGN AND DETAIL IS OUR PROPERTY AND MUST NOT BE USED EXCEPT IN CONNECTION WITH OUR WORK ALL RIGHTS OF DESIGN AND INVENTION ARE RESERVED THIS IS AN ELECTRONICALLY GENERATED DOCUMENT - DO NOT SCALE THIS PRINT				RFP	04/12/02	CAD FILE	00501001	SIZE	DRAWING NO.	REV.
				DIST	BRF-NLV			A	005010-01	A