



A Regal Brand

Catalog # : 131503.00  
Product Type: AC MOTOR  
Description:

Model: 131503.00  
Stock: Y

Quote: Price:

Date: 08/13/2018



A Regal Brand

Catalog # : 131503.00  
 Product Type: AC MOTOR  
 Description:

Model: 131503.00  
 Stock: Y

Engineering Data

|           |     |           |     |           |  |
|-----------|-----|-----------|-----|-----------|--|
| Volts     | 230 | Volts     | 460 | Volts     |  |
| F.L. Amps | 7.8 | F.L. Amps | 3.9 | F.L. Amps |  |
| S. F Amps | 8.8 | S. F Amps | 4.4 | S. F Amps |  |

|             |                   |               |                |             |         |
|-------------|-------------------|---------------|----------------|-------------|---------|
| RPM         | 1800              | Hertz         | 60             | TYPE        | TF      |
| HP          | 3                 | Duty          | CONTINUOUS     |             |         |
| KW          | 2.24              |               |                |             |         |
| Frame       | 182TC             | Serv. Factor  | 1.15           | Phase       | 3       |
| Max Amb     | 40                | Design        | NO DESIGN CODE | Code        | K       |
| Insul Class | F                 | Protection    | AUTOMATIC      | Therm.Prot. | 9700K46 |
| Eff 100%    | 89.5              | Eff 75%       |                | PF          | 80.0    |
| UL          | Y-(LEESON UL REC) | CSA           | Yes            | Bearing OPE | 6205    |
| CC Number   |                   | CE            | Yes            | Bearing PE  | 6206    |
| Load Type   |                   | Inverter Type |                | Speed Range | NONE    |

|              |                  |                 |                             |             |            |
|--------------|------------------|-----------------|-----------------------------|-------------|------------|
| Motor Wt.    | 75 LB            | Enclosure       | TEFC                        | Lubrication | POLYREX EM |
| Nameplate    | 081298           | Mounting        | ROUND                       | Rotation    | REV        |
| Assembly     | 180-009          | Shaft Dia.      | 1 1/8 IN                    | Ext. Diag.  | 005010.20  |
| Cust Part No |                  | Outline         | 035518-850                  | Ext. Diag2  |            |
| Packaging    | B                | Outline Dash No |                             | Winding     | T84174     |
| Carton Label | Leeson Wattsaver |                 |                             | GROUP :     | 3          |
| Iris         |                  | Paint           | GREEN - LEESON<br>WATTSaver | Test Card   | 01         |

|             |  |           |  |                         |
|-------------|--|-----------|--|-------------------------|
| Form Factor |  | RMS Amps  |  | Const TorqueSpeed Range |
| Torque      |  | Peak      |  |                         |
| AB Code     |  | Peak@DegC |  |                         |
| Resistance  |  |           |  |                         |
| Connection  |  |           |  |                         |

Rework Status                      Rework TYPE

Hazardous Loc  
Explosion Proof  
Class  
Class

NONE

Temp Op Code  
GROUP  
GROUP

Brake Motors  
FORCE  
VDC  
ADC

Brake Coil OHMs @25 C

Performance

|                |                 |                            |                         |
|----------------|-----------------|----------------------------|-------------------------|
| Torque UOM     | LB-FT           | Inertia (WK <sup>2</sup> ) | .383 LB-FT <sup>2</sup> |
| Torque         | 8.9(Full Load)  | 36(Break Down)             | 21(Pull Up)             |
| CURRENT (amps) | 3.9(Full Load)  | 21.5(Break Down)           | 33(Pull Up)             |
| Efficiency (%) | 0(Full Load)    | 89.6(75% Load)             | 87.7(50% Load)          |
| PowerFactor    | 80.5(Full Load) | 73.8(75% Load)             | 62.7(50% Load)          |

Load Curve Data @60 HzVolts,3Horsepower

| Load | Amps | KW    | RPM  | Torque | Eff  | PF   | Rise By Resis | Frame Rise |
|------|------|-------|------|--------|------|------|---------------|------------|
| 0.0  | 1.9  | 0.105 | 1798 | 0.0    | 0.0  | 6.9  | 0.0           | -          |
| 0.25 | 2.1  | 0.693 | 1792 | 2.2    | 80.8 | 41.4 | 0.0           | -          |
| 0.5  | 2.56 | 1.278 | 1785 | 4.42   | 87.7 | 62.7 | 0.0           | -          |
| 0.75 | 3.18 | 1.87  | 1777 | 6.64   | 89.6 | 73.8 | 0.0           | -          |
| 1.0  | 3.9  | 2.5   | 1770 | 8.914  | 89.5 | 80.5 | 40.0          | 20.0       |
| 1.15 | 4.4  | 2.862 | 1766 | 10.26  | 89.9 | 81.6 | 47.0          | 24.0       |
| 1.25 | 4.73 | 3.129 | 1755 | 11.2   | 89.2 | 83.0 | 0.0           | -          |
| 1.5  | 5.61 | 3.787 | 1750 | 13.49  | 88.5 | 84.7 | 0.0           | -          |

SOURCE: CALCULATED GROUP: 3

Load Curve Data @60HzVolts,3Horsepower

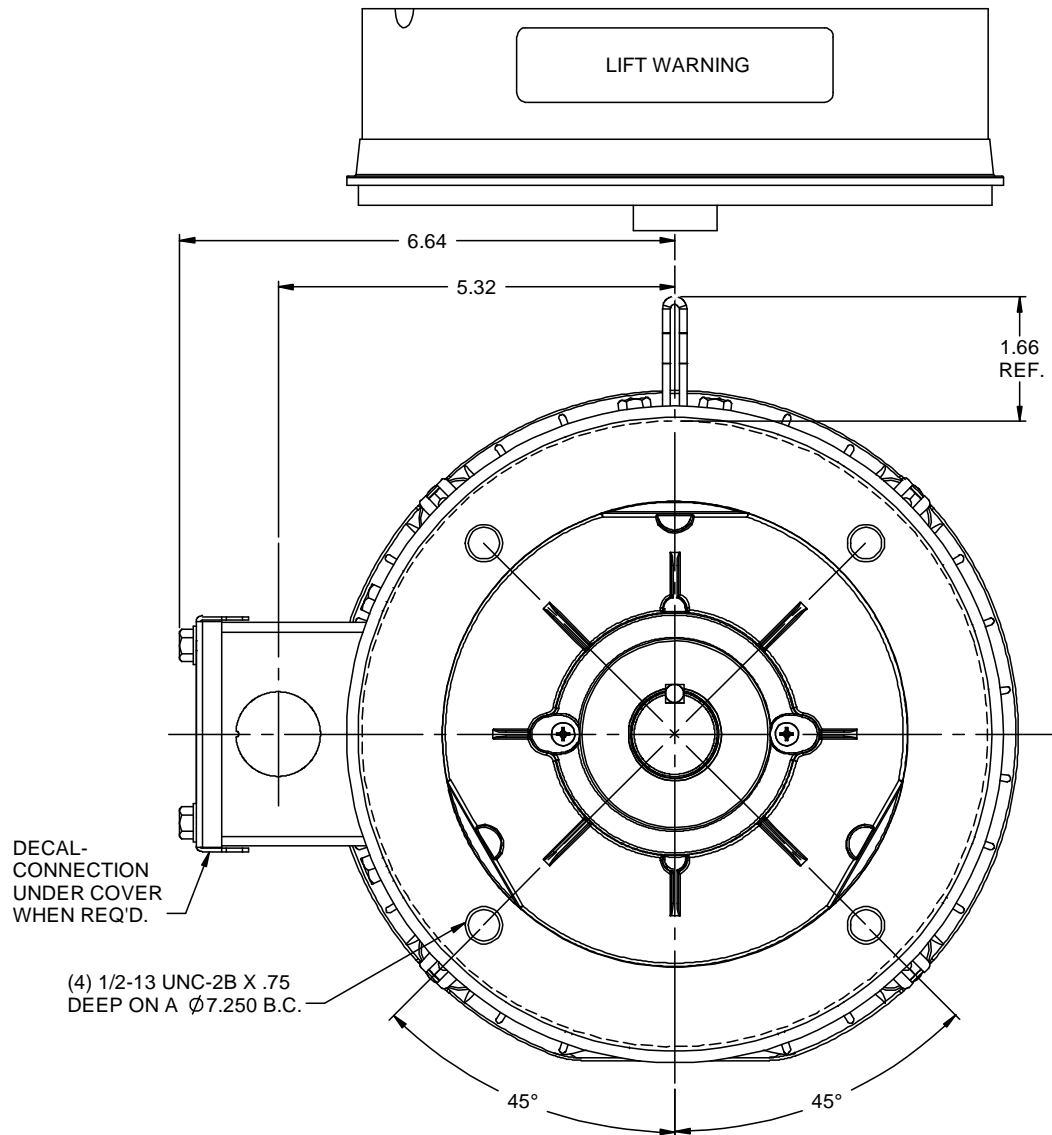
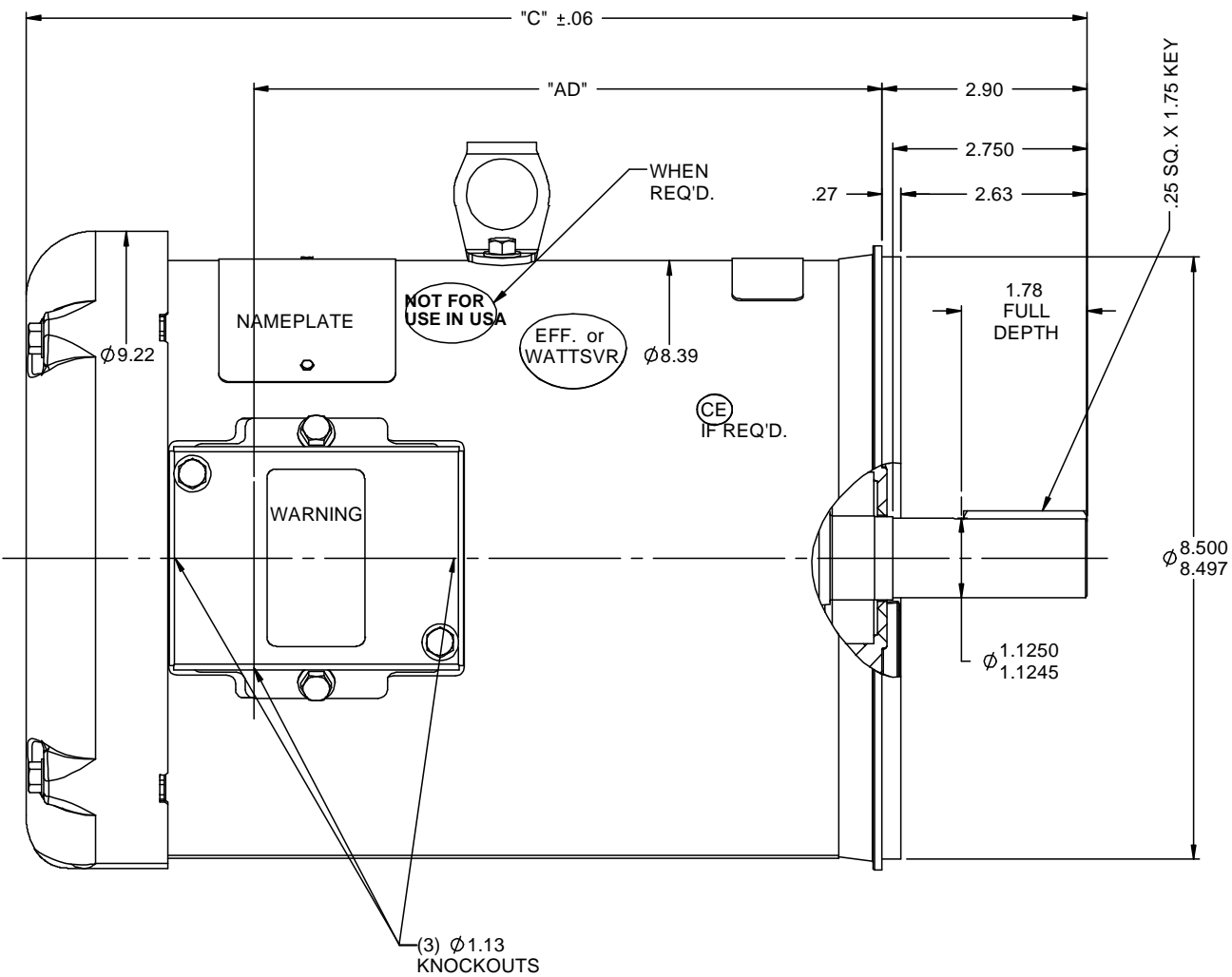
| Load | Amps | KW | RPM | Torque | Eff | PF | Rise By Resis | Frame Rise |
|------|------|----|-----|--------|-----|----|---------------|------------|
|------|------|----|-----|--------|-----|----|---------------|------------|

Load Curve Data Not Available

Quote: Price:

Date: 08/13/2018

RBC PROPRIETARY AND CONFIDENTIAL INFORMATION  
 This document is the property of REGAL-BELOIT CORPORATION ("RBC") including its subsidiaries and divisions and contains proprietary information of RBC. This document is loaned on the express condition that neither it nor the information contained therein shall be disclosed to others without the express written consent of RBC, and that the information shall be used by the recipient only as approved expressly by RBC. This document shall be returned to RBC upon its request. This document may be subject to certain restrictions under U.S. export control laws and regulations.



GASKETS THROUGHOUT  
 MAXIMUM FACE RUNOUT TO BE .004 T.I.R.  
 MAXIMUM PILOT ECCENTRICITY TO BE .004 T.I.R.  
 PERMISSIBLE SHAFT RUNOUT TO BE .002 T.I.R.

| DASH NO. | "C"   | "AD"  |
|----------|-------|-------|
| 750      | 12.97 | 6.88  |
| 800      | 13.47 | 7.38  |
| 850      | 13.97 | 7.88  |
| 900      | 14.47 | 8.38  |
| 950      | 14.97 | 8.88  |
| 1000     | 15.47 | 9.38  |
| 1050     | 15.97 | 9.88  |
| 1100     | 16.47 | 10.38 |
| 1150     | 16.97 | 10.88 |

| REVISION                          |  | BY & DATE      | CHK | ANG   | FINISH               | SIZE | DRAWING NO | REV |
|-----------------------------------|--|----------------|-----|-------|----------------------|------|------------|-----|
| - UPDATED & REDRAWN IN SOLIDWORKS |  | LST 12/17/2009 | XXX | ±.005 | MATL GENERAL PURPOSE | B    | 035518     | -   |
| NO                                |  |                | RFP | ±1/2° |                      |      |            |     |

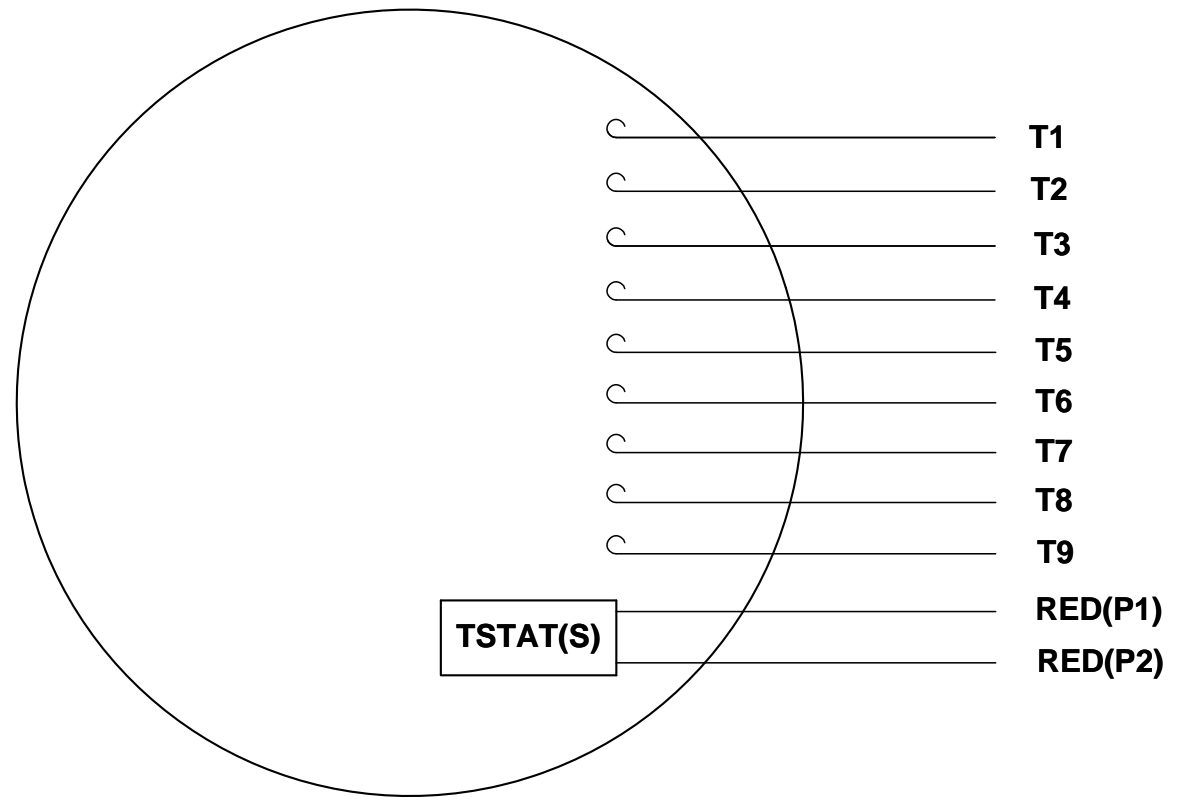


TOLERANCES UNLESS SPECIFIED  
 DEC INCHES  
 X ±.1  
 XX ±.03  
 XXX ±.005  
 XXXX ±.0005

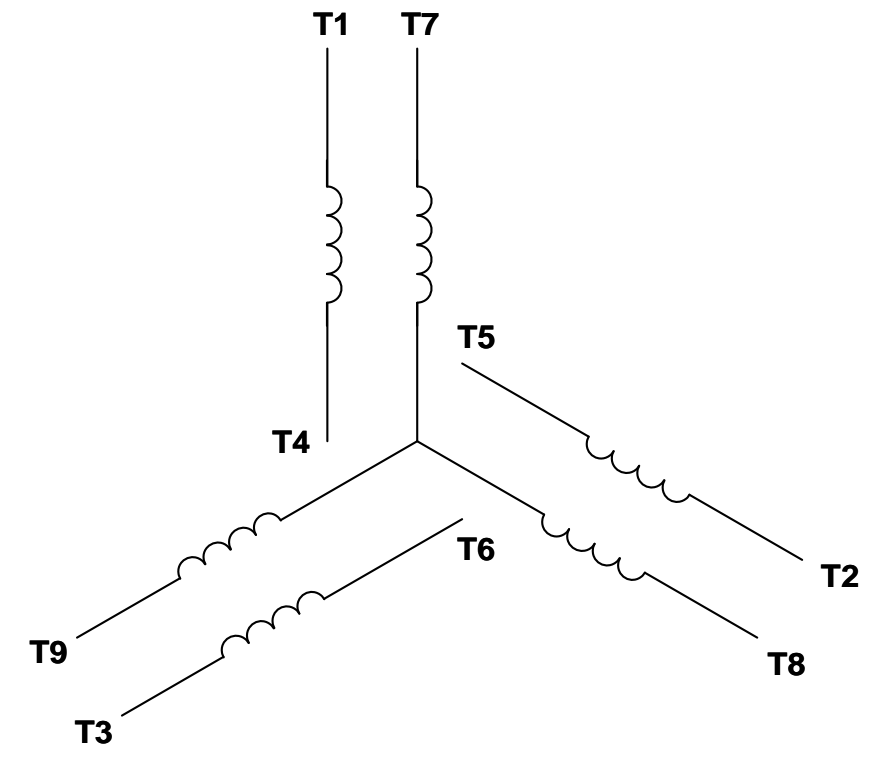
TITLE OUTLINE - 180TC FRAME  
 TEFC - "C" FACE  
 MATL GENERAL PURPOSE

DRAWN RDW 4/18/07  
 CHK  
 APPR SW 4/18/07  
 SCALE 1:2  
 REF 035452  
 FMF  
 PAGE OF

VIEW FROM OUTSIDE OF MOTOR AT SWITCH END. Uncontrolled Copy



**LINE LEADS**



| VOLTAGE | L1    | L2    | L3    | JOIN & INSULATE               |
|---------|-------|-------|-------|-------------------------------|
| HIGH    | T1    | T2    | T3    | (T4,T7)<br>(T5,T8)<br>(T6,T9) |
| LOW     | T1,T7 | T2,T8 | T3,T9 | T4,T5,T6                      |

DRAWING REVISION **G** REVISION BY **MVG** DATE **04/05/2017**

ECO **ECO-0121253** APPROVED BY **SM** DATE **04/05/2017**

ECO DESCRIPTION  
**ADDED P1 & P2 FOR TSTAT**

COPYRIGHT REGAL BELOIT AMERICA, INC. ALL RIGHTS RESERVED. PROPRIETARY AND CONFIDENTIAL INFORMATION - THIS DOCUMENT IS THE PROPERTY OF REGAL BELOIT AMERICA, INC. ("OWNER") AND CONTAINS OWNER'S PROPRIETARY INFORMATION. ANY PERSON, CORPORATION OR OTHER FIRM RECEIVING IT IS DEEMED, BY RECEIVING IT, TO AGREE THAT IT, AND/OR ANY PART OF IT, SHALL NOT BE DISCLOSED TO ANY PERSON, CORPORATION OR OTHER ENTITY, DUPLICATED, AND/OR USED, EXCEPT AS EXPRESSLY APPROVED IN WRITING IN ADVANCE BY OWNER. THIS DOCUMENT SHALL BE RETURNED TO OWNER UPON REQUEST. IT MAY BE SUBJECT TO CERTAIN RESTRICTIONS UNDER APPLICABLE EXPORT CONTROL LAWS AND REGULATIONS.

TOLERANCES UNLESS OTHERWISE SPECIFIED:  

|       |         |           |       |
|-------|---------|-----------|-------|
| DEC.  | INCH    | mm        | ANGLE |
| .X    | ±0.1    | [±2.5]    | ±0.5° |
| .XX   | ±0.01   | [±0.25]   |       |
| .XXX  | ±0.005  | [±0.127]  |       |
| .XXXX | ±0.0005 | [±0.0127] |       |

REMOVE BURRS & BREAK SHARP EDGES: .003/.015 [.076/.381] X 45°  
 CORNER FILLETS: R.02 [.51]  
 MACHINED SURFACES: 125/3.2 INCH/mm

mm SHOWN IN [BRACKETS]

DRAWN BY **DBT 12/16/97**

DATE

APPROVED BY **KH 12/17/97**

DATE

REFERENCE

THIRD ANGLE PROJECTION



DESCRIPTION  
**CONN DIAGRAM-EXTERNAL**  
3 PHASE WITH PROTECTOR

MATERIAL **DECAL - 004014 (TSTAT) - 080582** PROCESS/FINISH **STOCK**

SIZE **A** DRAWING NUMBER **00501020** SHEET **1 OF 1**