



A Regal Brand

Catalog # : 122171.00  
Product Type: AC MOTOR  
Description:

Model: 122171.00  
Stock: Y

Quote:            Price:

Date: 08/13/2018



A Regal Brand

Catalog # : 122171.00  
Product Type: AC MOTOR  
Description:

Model: 122171.00  
Stock: Y

Engineering Data

Volts	208-230	Volts	460	Volts	
F.L. Amps	8.8-8	F.L. Amps	4	F.L. Amps	
S. F Amps	10.1-9.2	S. F Amps	4.6	S. F Amps	

RPM	3600	Hertz	60	TYPE	TF
HP	3	Duty	CONTINUOUS		
KW	2.24				
Frame	145TC	Serv. Factor	1.15	Phase	3
Max Amb	40	Design	B	Code	M
Insul Class	F	Protection	NOT	Therm.Prot.	
Eff 100%	86.5	Eff 75%		PF	86
UL	Y-(LEESON UL REC)	CSA	Yes	Bearing OPE	6203
CC Number	CC005A	CE	Yes	Bearing PE	6205
Load Type		Inverter Type		Speed Range	NONE

Motor Wt.	47 LB	Enclosure	TEFC	Lubrication	POLYREX EM
Nameplate	993500	Mounting	ROUND	Rotation	REV
Assembly		Shaft Dia.	7/8 IN	Ext. Diag.	005010.01
Cust Part No		Outline	028777-800	Ext. Diag2	
Packaging	B	Outline Dash No		Winding	T632209
Carton Label	INDIVIDUAL			GROUP :	3
Iris		Paint	GREEN - LEESON WATTSaver	Test Card	02

Form Factor		RMS Amps		Const TorqueSpeed Range	
Torque		Peak			
AB Code		Peak@DegC			
Resistance					
Connection					

Rework Status	Rework TYPE
---------------	-------------

Hazardous Loc  
Explosion Proof  
Class  
Class

NONE

Temp Op Code  
GROUP  
GROUP

Brake Motors  
FORCE  
VDC  
ADC

Brake Coil OHMs @25 C

Performance

Torque UOM	LB-FT	Inertia (WK <sup>2</sup> )	.09 LB-FT <sup>2</sup>
Torque	4.5(Full Load)	20.83(Break Down)	17.5(Pull Up)
CURRENT (amps)	4(Full Load)	0(Break Down)	0(Pull Up)
Efficiency (%)	0(Full Load)	86(75% Load)	84.2(50% Load)
PowerFactor	0(Full Load)	82.2(75% Load)	72.7(50% Load)

Load Curve Data @60 HzVolts,3Horsepower

Load	Amps	KW	RPM	Torque	Eff	PF	Rise By Resis	Frame Rise
0.0	1.9	0.27	3596	0.0	0.0	17.8	0.0	-
0.25	2.0	0.752	3578	1.1	74.3	47.2	0.0	-
0.5	2.5	1.347	3557	2.22	83.2	67.6	0.0	-
0.75	3.1	1.957	3532	3.34	85.6	79.2	0.0	-
1.0	4.0	2.598	3506	4.5	86.9	81.0	60.0	-
1.25	4.7	3.24	3481	5.66	86.4	86.5	0.0	-
1.5	5.5	3.92	3454	6.84	85.6	89.5	0.0	-
1.15	4.35	2.968	3496	5.2	86.8	86.2	0.0	-

SOURCE: CALCULATED GROUP: 3

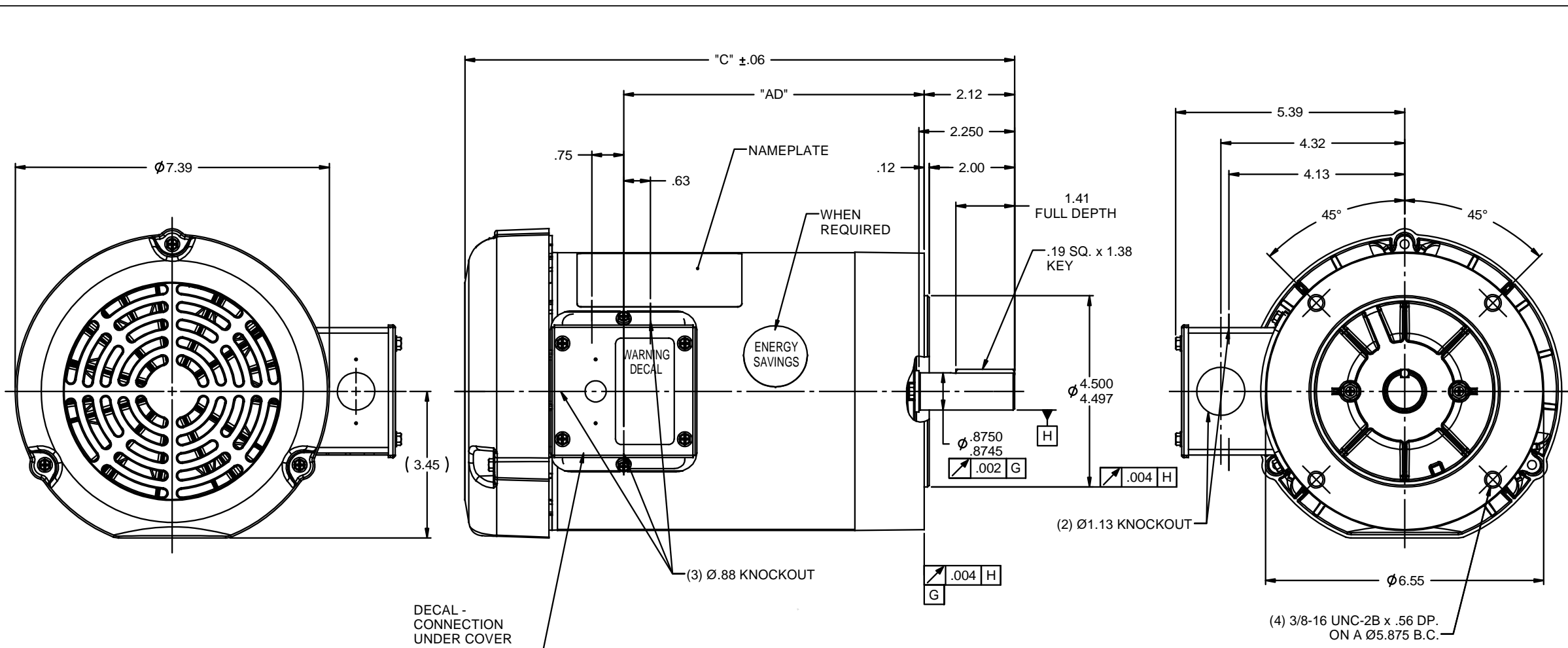
Load Curve Data @60HzVolts,3Horsepower

Load	Amps	KW	RPM	Torque	Eff	PF	Rise By Resis	Frame Rise
------	------	----	-----	--------	-----	----	---------------	------------

Load Curve Data Not Available

Quote: Price:

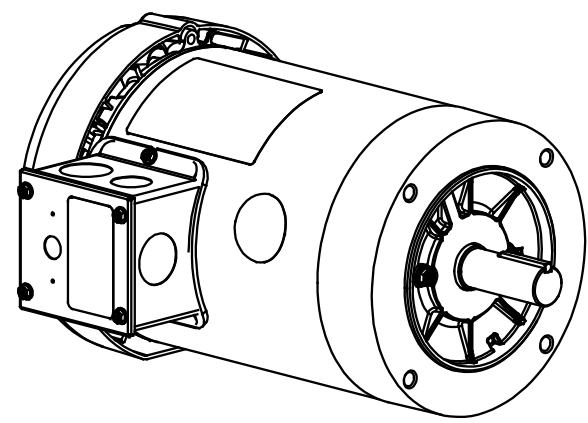
Date: 08/13/2018



DECAL - CONNECTION UNDER COVER WHEN REQUIRED

DASH NO.	"C"	"AD"
550	11.42	5.56
600	11.92	6.06
650	12.42	6.56
675	12.67	6.81
700	12.92	7.06
750	13.42	7.56
800	13.92	8.06

NOTE:  
1) GASKETS THROUGHOUT



NO	REVISION	BY & DATE	CHK	ANG	FINISH	MATL	PAGE	OF
05	ADDED FAN GUARD DIMENSIONS PER SALES	PG 1/5/2011	DEC	INCHES				
04	ADDED DASH NO. 675	PG 5/21/2010	X	±.1				
03	ADDED ENERGY SAVINGS DECAL	PG 5/19/2010	XX	±.03				
02	ADD "C" DIM. PER ISAAC 09-4157	LST 10/1/2009	XXX	±.005				
01	REVISED GD&T POSITIONING & CALLOUT	KMM 8/27/07	XXXX	±.0005				
				±1/2°	FINISH GENERAL PURPOSE			



ELECTRIC MOTORS  
GEARMOTORS  
AND DRIVES

DRAWN KMM 08/02/07  
CHK  
APPR  
SCALE 7:16  
REF 028504.00  
FMF 120038.00  
PAGE OF

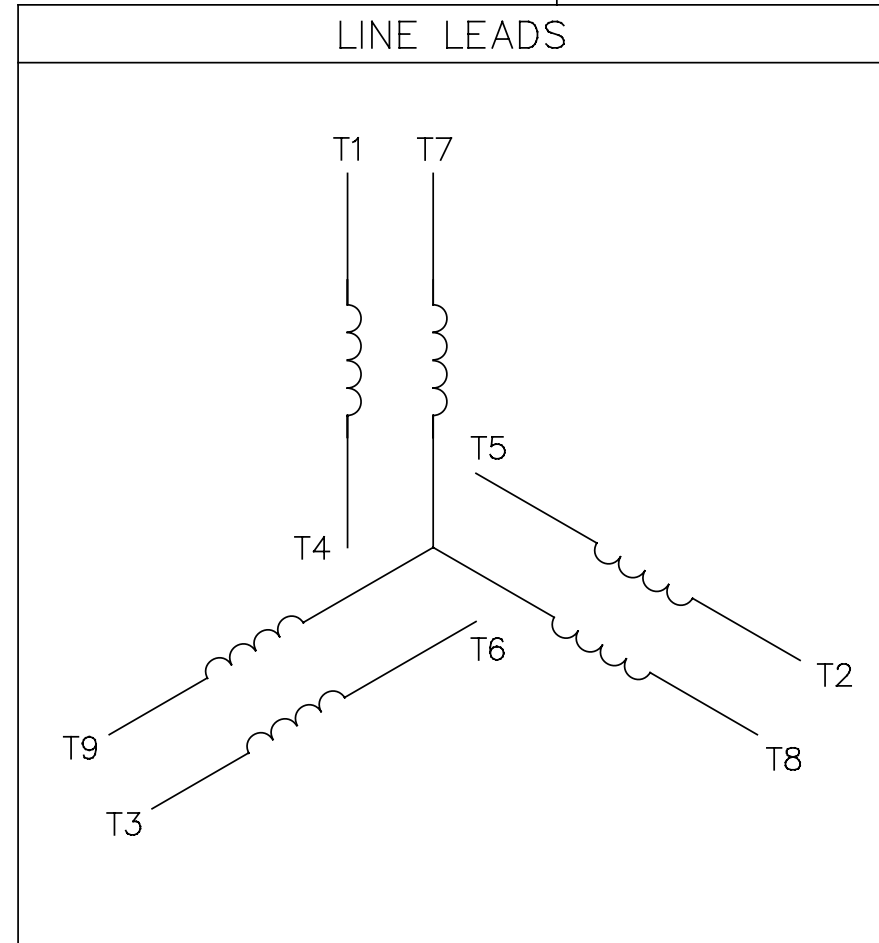
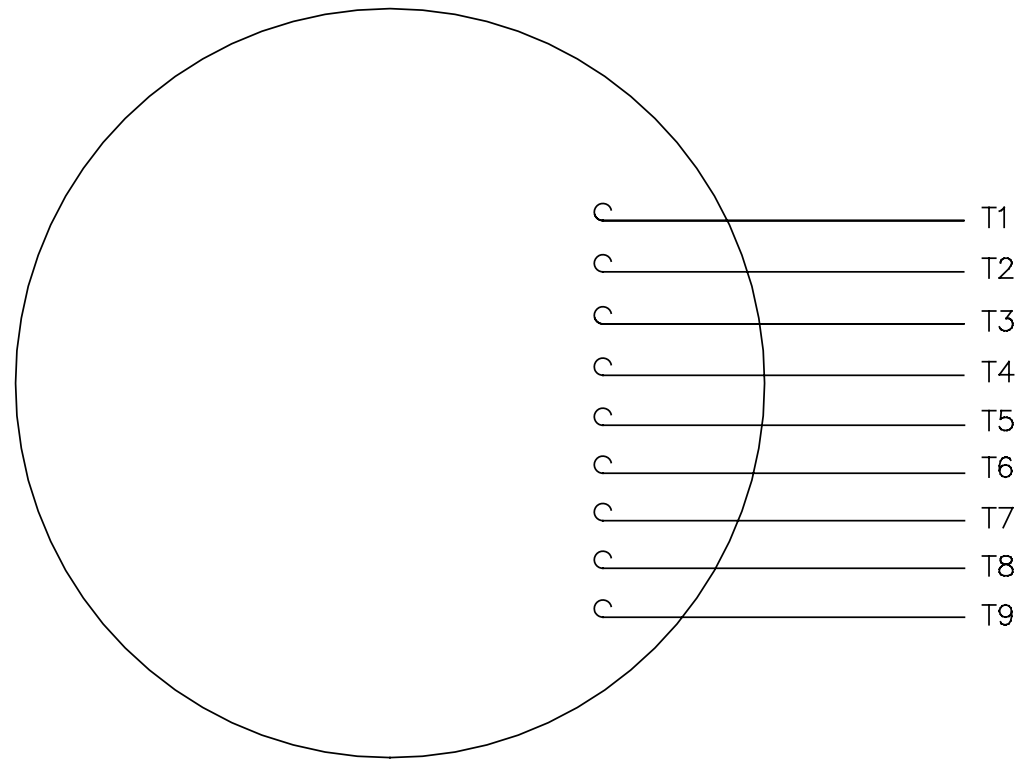


RFP PREV SIZE DRAWING NO REV  
NETWORK FILE NAME 028777 B 028777 05

# Uncontrolled Copy

005010-01

VIEW FROM OUTSIDE OF MOTOR AT SWITCH END.



VOLTAGE	L1	L2	L3	JOIN & INSULATE
HIGH	T1	T2	T3	(T4,T7) (T5,T8) (T6,T9)
LOW	T1,T7	T2,T8	T3,T9	T4,T5,T6

		TOLERANCES UNLESS SPECIFIED		REGAL™ Regal Beloit America, Inc.		DRAWN RDW 04/12/02				
		DEC.	INCHES	TITLE		CHK				
		.X	±.1	EXTERNAL WIRING DIAGRAM		APPD				
		.XX	±.01	3 PHASE W/O PROTECTOR		SCALE 1=1				
		.XXX	±.005	MAT'L. DECAL - 004014		REF FIG.2-51				
A	UPDATED TO REGAL LOGO	SAJ	06/26/15	AJY	.XXXX	±.0005	FMF			
NO.	REVISION	BY & DATE	CHK	ANG	±1/2°	FINISH	PREV			
THIS DRAWING IN DESIGN AND DETAIL IS OUR PROPERTY AND MUST NOT BE USED EXCEPT IN CONNECTION WITH OUR WORK ALL RIGHTS OF DESIGN AND INVENTION ARE RESERVED THIS IS AN ELECTRONICALLY GENERATED DOCUMENT - DO NOT SCALE THIS PRINT				RFP	04/12/02	CAD FILE	00501001	SIZE	DRAWING NO.	REV.
				DIST	BRF-NLV			A	005010-01	A