



A Regal Brand

Catalog # : 170110.60
Product Type: AC MOTOR
Description:

Model: 170110.60
Stock: Y

Quote: Price:

Date: 08/09/2018

Hazardous Loc
Explosion Proof
Class
Class

NONE

Temp Op Code
GROUP
GROUP

Brake Motors
FORCE
VDC
ADC

Brake Coil OHMs @25 C

Performance
Torque UOM
Torque
CURRENT (amps)
Efficiency (%)
PowerFactor

Inertia (WK²)

Load Curve Data @60/50 HzVolts,40Horsepower
Load Amps KW RPM Torque

Eff

PF

Rise By Resis

Frame Rise

Load Curve Data Not Available

Load Curve Data @60/50HzVolts,40Horsepower
Load Amps KW RPM Torque

Eff

PF

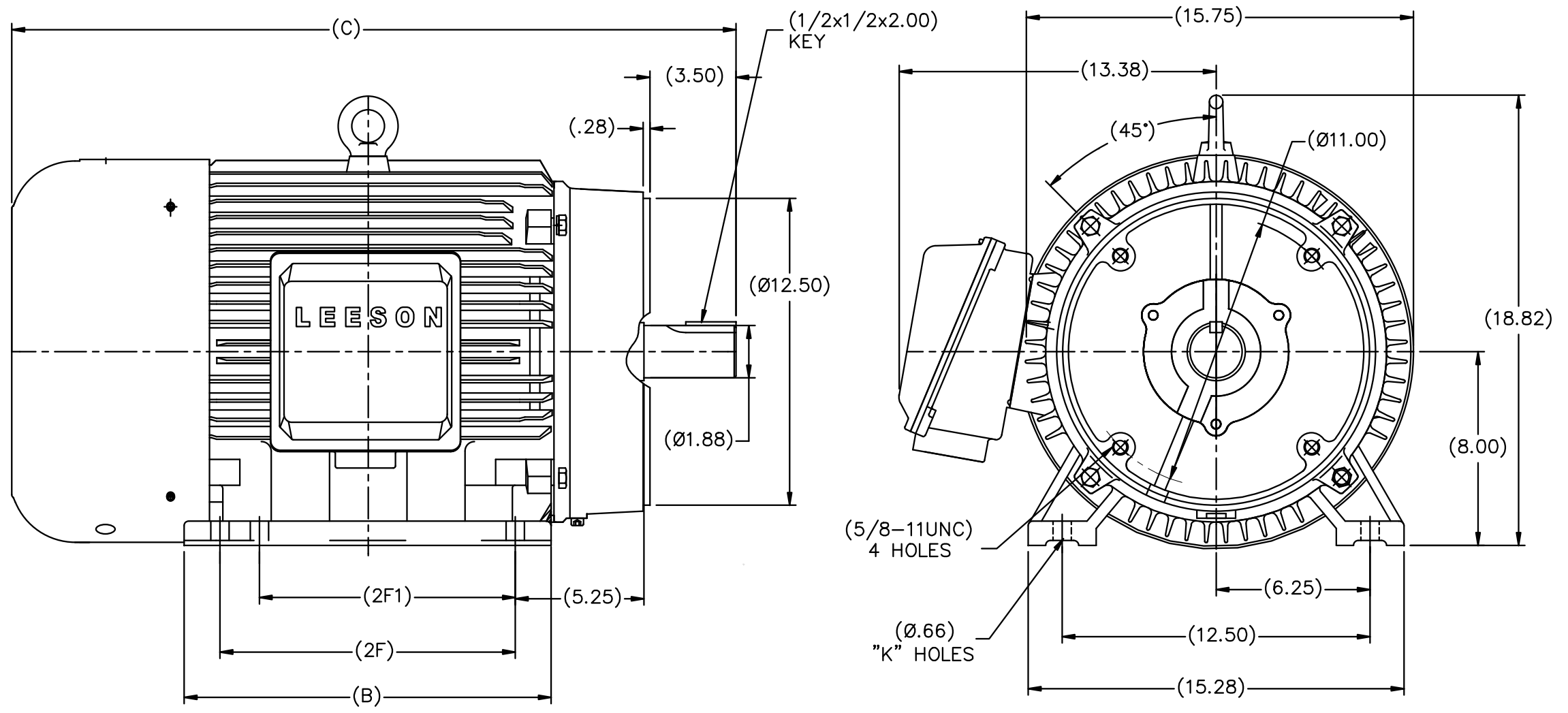
Rise By Resis

Frame Rise

Load Curve Data Not Available

Quote: Price:

Date: 08/09/2018



(DRAWING NOT TO SCALE)

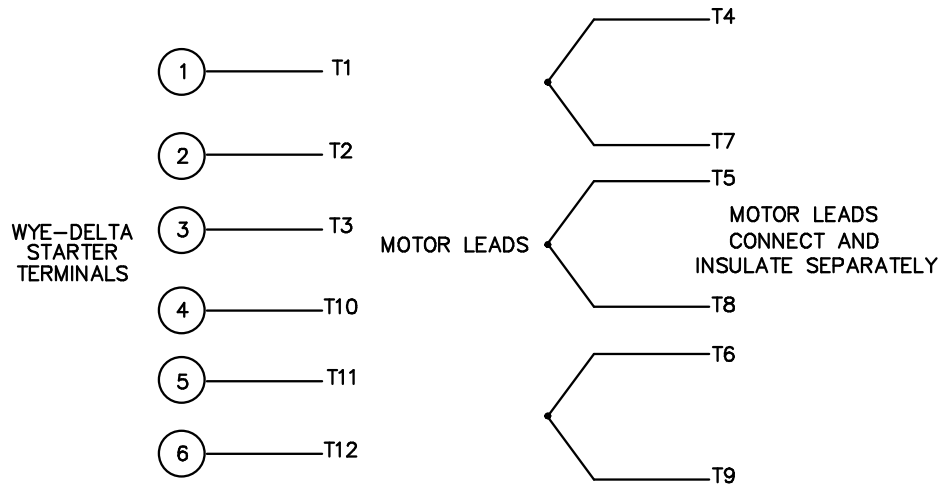
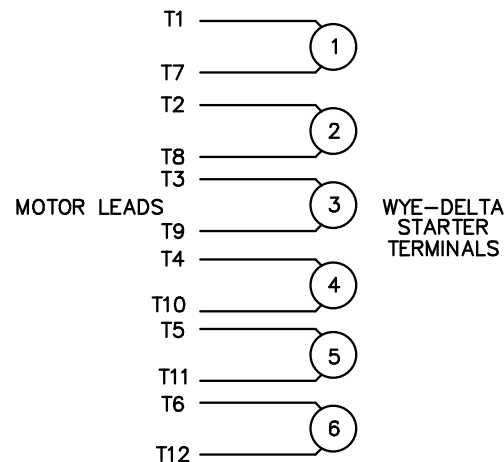
FRAME	2F	2F1	B	K	C
N324TSC	10.50		12.80	4	28.15
N326TSC	12.00	10.50	14.29	6	29.72

		TOLERANCES UNLESS SPECIFIED		LEESON	ELECTRIC MOTORS GEARMOTORS AND DRIVES	DRAWN MOL 02-14-2011	
		DEC.	METRIC			CHK	MOL 02-14-2011
		.X	±2.5	TITLE OUTLINE		APPD	SPB 02-14-2011
		.XX	±.76	N320-TSC-TEFC		SCALE 1=30	
		.XXX	±.127	MAT'L		REF	
		.XXXX	±.0127	FINISH		FMF HEBEI	
NO.	REVISION	BY & DATE	CHK	ANG ±7°30"	PREV		
THIS DRAWING IN DESIGN AND DETAIL IS OUR PROPERTY AND MUST NOT BE USED EXCEPT IN CONNECTION WITH OUR WORK ALL RIGHTS OF DESIGN AND INVENTION ARE RESERVED THIS IS AN ELECTRONICALLY GENERATED DOCUMENT - DO NOT SCALE THIS PRINT				RFP	CAD FILE SS622282	SIZE	DRAWING NO. PAGE OF REV.
				DIST		B	SS622282

WYE - DELTA STARTING USEABLE ON 2,4 AND 6 POLE MOTORS.

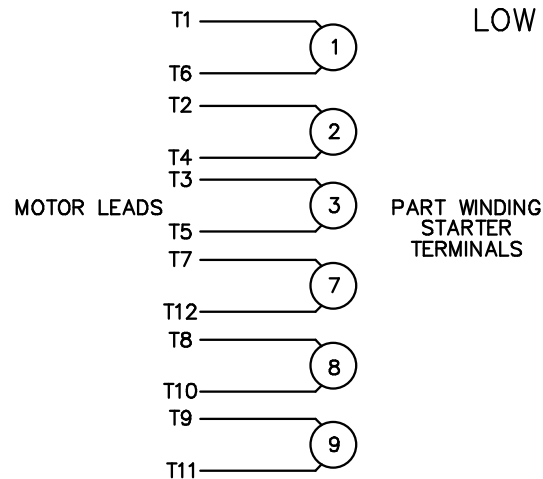
LOW VOLTAGE CONNECTION

HIGH VOLTAGE CONNECTION



REFER TO THE WYE-DELTA STARTER CONNECTION INSTRUCTIONS FOR PROPER CONNECTION OF POWER LINES TO STARTER.

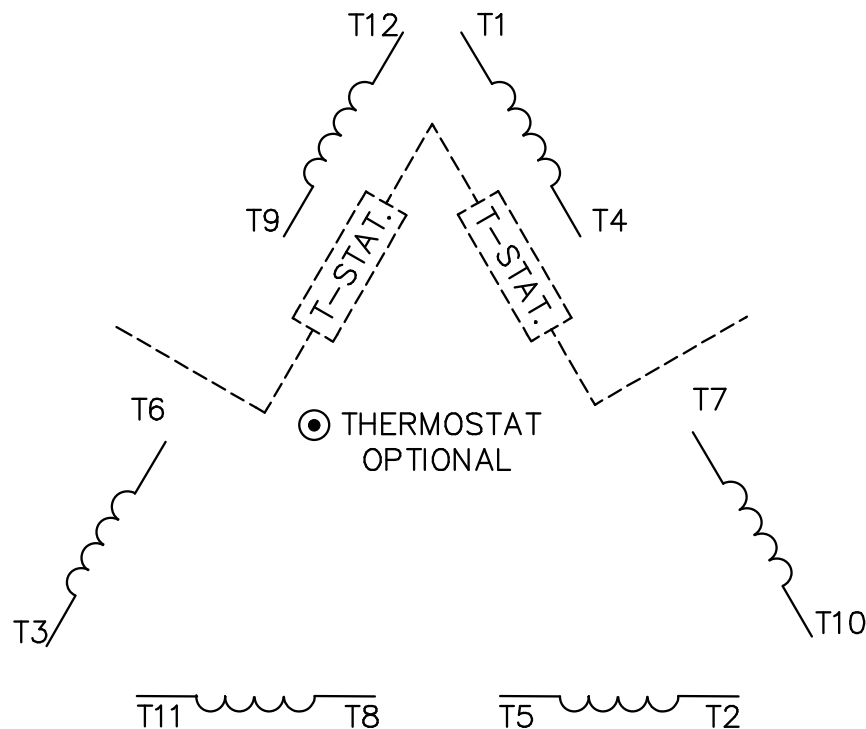
PART WINDING START USABLE ON 4 & 6 POLE MOTORS
LOW VOLTAGE CONNECTION ONLY



REFER TO THE PART WINDING STARTER INSTRUCTIONS FOR PROPER CONNECTION OF POWER LINES TO STARTER.

REFER TO THE CUTLER - HAMMER OR EQUIV. FOR PROPER SELECTION OF OVERLOAD HEATER COILS.

LINE LEADS



ROTATION CAN BE REVERSED BY INTERCHANGING ANY TWO LINE LEADS
⊙ RED LEADS OR P1, P2, FOR N/C THERMOSTAT

ACROSS THE LINE START & RUN

	LINE 1	LINE 2	LINE 3	JOIN & INSULATE SEPARATELY
HIGH VOLT	T1,T12	T2,T10	T3,T11	(T4,T7) (T5,T8) (T6,T9)
LOW VOLT	T1,T6 T7,T12	T2,T4 T8,T10	T3,T5 T9,T11	



ELECTRIC MOTORS
GEARMOTORS
AND DRIVES

DRAWN WLW 09/08/77
CHK RPB 09/12/77
APPD JCW 09/12/77

NO.	REVISION	BY & DATE	CHK	TOLERANCES UNLESS SPECIFIED		FINISH
				DEC.	INCHES	
03	REV'D LOW VOLTAGE CONN. LEADS PER ELEC.	BJB 06/07/00		.X	±.1	
02	ADDED T-STAT. NOTES PER ELECTRICAL	KMM 06/02/98		.XXX	±.005	
01	REDRAWN TO CAD	DBT 06/02/97		.XXXX	±.0005	
				ANG	±1/2°	

TITLE	DELTA - WYE CONNECTION DIAGRAM	SCALE	1=1
MAT'L.		REF	
FINISH		FMP	
RFP	CAD FILE	SIZE	DRAWING NO.
DIST	00417201	A	004172-01
			REV. 03

THIS DRAWING IN DESIGN AND DETAIL IS OUR PROPERTY AND MUST NOT BE USED EXCEPT IN CONNECTION WITH OUR WORK ALL RIGHTS OF DESIGN AND INVENTION ARE RESERVED THIS IS AN ELECTRONICALLY GENERATED DOCUMENT - DO NOT SCALE THIS PRINT