



A Regal Brand

Catalog # : 170165.60
Product Type: AC MOTOR
Description:

Model: 170165.60
Stock: Y

Quote: Price:

Date: 08/09/2018

Hazardous Loc
Explosion Proof
Class
Class

NONE

Temp Op Code
GROUP
GROUP

Brake Motors
FORCE
VDC
ADC

Brake Coil OHMs @25 C

Performance
Torque UOM
Torque
CURRENT (amps)
Efficiency (%)
PowerFactor

Inertia (WK²)

Load Curve Data @60/50 HzVolts,7 1/2Horsepower

Load	Amps	KW	RPM	Torque	Eff	PF	Rise By Resis	Frame Rise
0.0	4.45	0.209	1800	0.0	0.0	5.8	0.0	-
0.25	4.85	1.647	1793	5.53	85.5	42.6	0.0	-
0.5	6.04	3.136	1786	11.2	90.2	65.2	0.0	-
0.75	7.62	4.645	1778	16.83	91.7	76.5	0.0	-
1.0	9.3	6.155	1770	22.5	91.7	82.3	35.0	-
1.15	11.2	7.05	1765	25.9	91.7	83.5	45.0	-
1.25	12.0	7.675	1761	28.1	91.6	84.9	0.0	-
1.5	13.52	9.29	1751	33.7	90.3	86.2	0.0	-

SOURCE: CALCULATED GROUP: 3

Load Curve Data @60/50HzVolts,7 1/2Horsepower

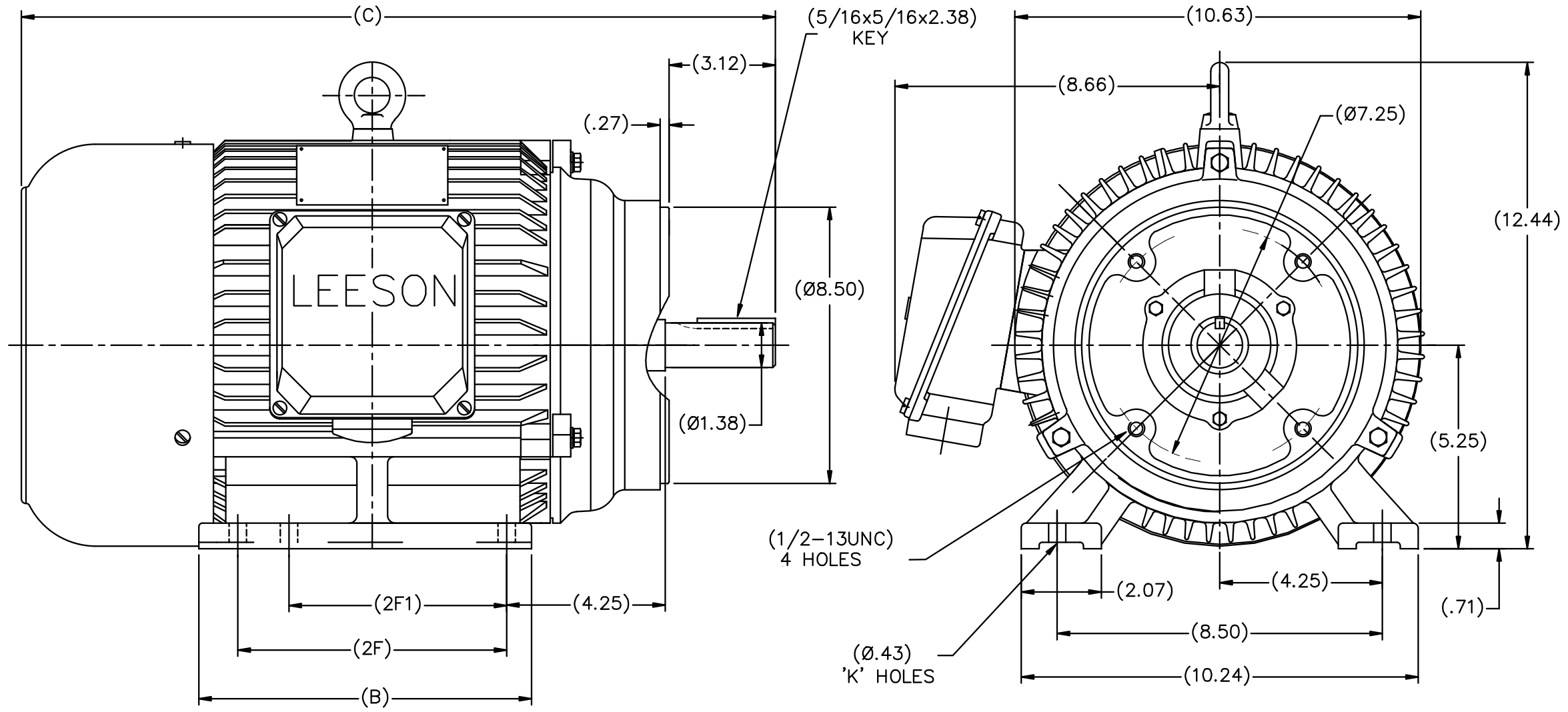
Load	Amps	KW	RPM	Torque	Eff	PF	Rise By Resis	Frame Rise
------	------	----	-----	--------	-----	----	---------------	------------

Load Curve Data Not Available

Quote: Price:

Date: 08/09/2018

SS622294



Cat. No.	FRAME	B	C	2F	2F1	K
170166.60	N213TC-2W2	7.32	18.94	5.50		4
170168.60	N215TC-4W2	8.82	20.35	7.00	5.50	6
170165.60	N213TC-4W2	7.32	18.94	5.50		4
170167.60	N215TC-4W2	8.82	20.35	7.00	5.50	6
171116.60	N215TC-6W2	8.82	20.35	7.00	5.50	6

DRAWING NOT TO SCALE

<p>THIS DRAWING IN DESIGN AND DETAIL IS OUR PROPERTY AND MUST NOT BE USED EXCEPT IN CONNECTION WITH OUR WORK ALL RIGHTS OF DESIGN AND INVENTION ARE RESERVED THIS IS AN ELECTRONICALLY GENERATED DOCUMENT - DO NOT SCALE THIS PRINT</p>		<p>NO. REVISION BY & DATE</p>		<p>CHK ANG ±7°30"</p>		<p>FINISH</p>		<p>PREV</p>	
<p>TOLERANCES UNLESS SPECIFIED</p>				<p>DEC. INCHES</p>		<p>.X ±.1</p>		<p>.XX ±.03</p>	
<p>.XXX ±.005</p>				<p>.XXXX ±.0005</p>		<p>MAT'L</p>		<p>SCALE 1=4</p>	
<p>RFP</p>				<p>CAD FILE SS622294</p>		<p>SIZE B</p>		<p>DRAWING NO. PAGE OF REV. SS622294</p>	

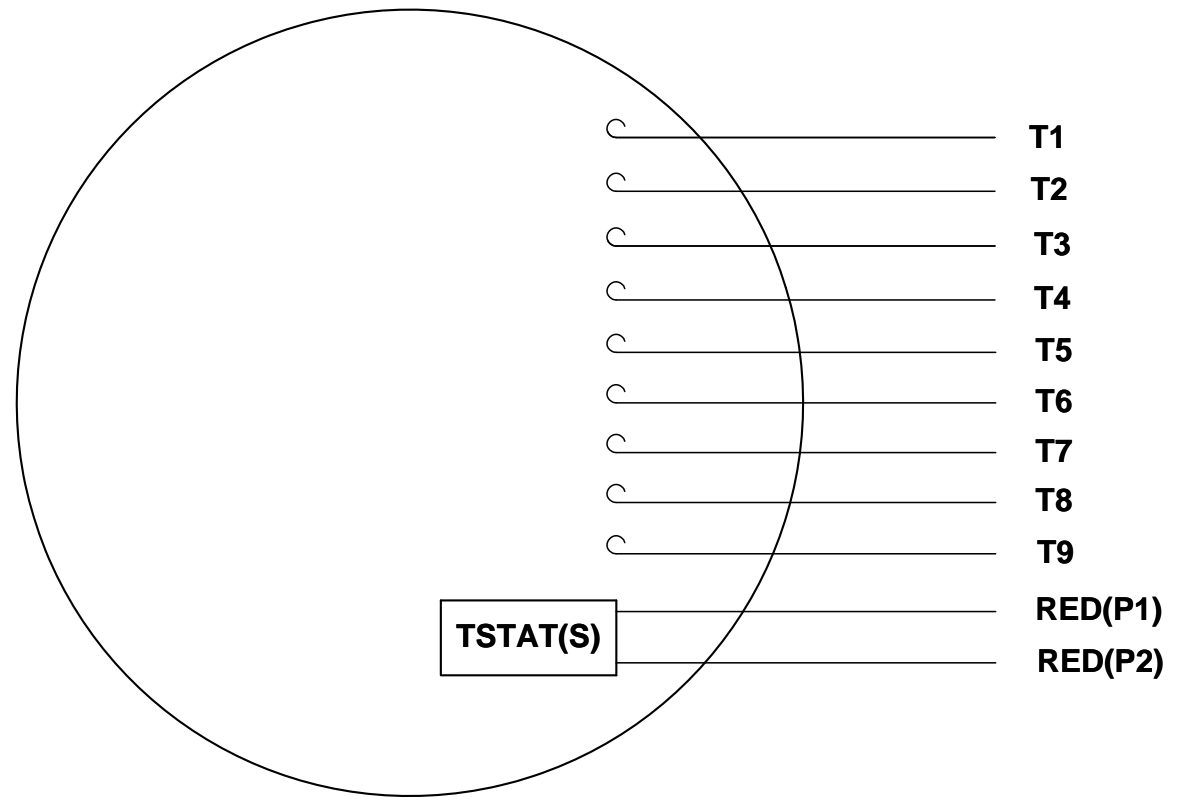


ELECTRIC MOTORS
GEARMOTORS
AND DRIVES

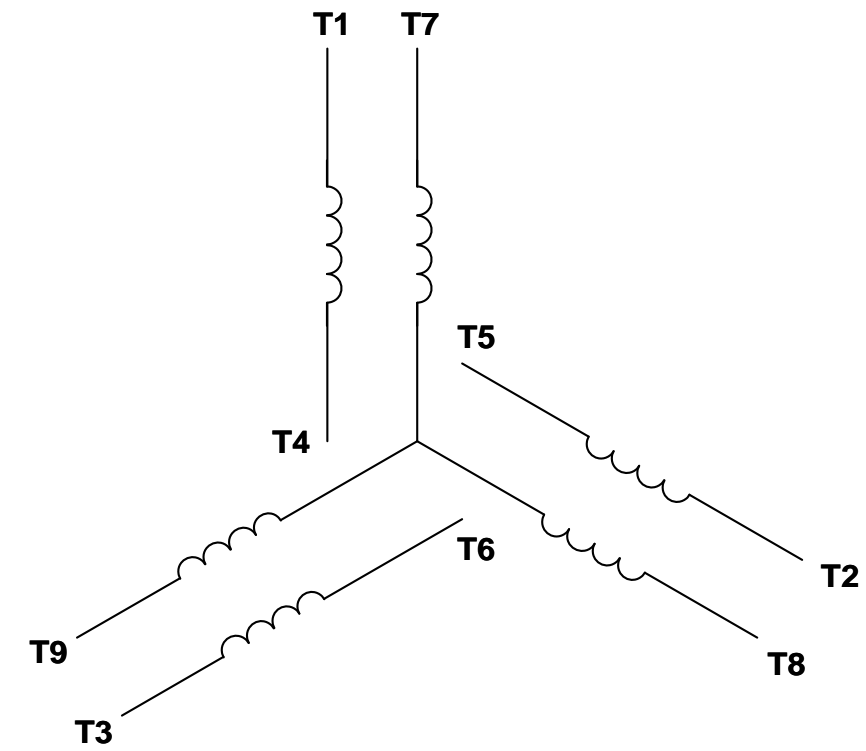
DRAWN MOL 03-07-2011
CHK MOL 03-07-2011
APPD SB 03-07-2011

TITLE OUTLINE
N210TC FR-2,4,6-W2- C'FACE - TEFC

VIEW FROM OUTSIDE OF MOTOR AT SWITCH END. Uncontrolled Copy



LINE LEADS



VOLTAGE	L1	L2	L3	JOIN & INSULATE
HIGH	T1	T2	T3	(T4,T7) (T5,T8) (T6,T9)
LOW	T1,T7	T2,T8	T3,T9	T4,T5,T6

DRAWING REVISION **G** REVISION BY **MVG** DATE **04/05/2017**

ECO **ECO-0121253** APPROVED BY **SM** DATE **04/05/2017**

ECO DESCRIPTION
ADDED P1 & P2 FOR TSTAT

COPYRIGHT REGAL BELOIT AMERICA, INC. ALL RIGHTS RESERVED. PROPRIETARY AND CONFIDENTIAL INFORMATION - THIS DOCUMENT IS THE PROPERTY OF REGAL BELOIT AMERICA, INC. ("OWNER") AND CONTAINS OWNER'S PROPRIETARY INFORMATION. ANY PERSON, CORPORATION OR OTHER FIRM RECEIVING IT IS DEEMED, BY RECEIVING IT, TO AGREE THAT IT, AND/OR ANY PART OF IT, SHALL NOT BE DISCLOSED TO ANY PERSON, CORPORATION OR OTHER ENTITY, DUPLICATED, AND/OR USED, EXCEPT AS EXPRESSLY APPROVED IN WRITING IN ADVANCE BY OWNER. THIS DOCUMENT SHALL BE RETURNED TO OWNER UPON REQUEST. IT MAY BE SUBJECT TO CERTAIN RESTRICTIONS UNDER APPLICABLE EXPORT CONTROL LAWS AND REGULATIONS.

TOLERANCES UNLESS OTHERWISE SPECIFIED:

DEC.	INCH	mm	ANGLE
.X	±0.1	[±2.5]	±0.5°
.XX	±0.01	[±0.25]	
.XXX	±0.005	[±0.127]	
.XXXX	±0.0005	[±0.0127]	

 REMOVE BURRS & BREAK SHARP EDGES: .003/.015 [.076/.381] X 45°
 CORNER FILLETS: R.02 [.51]
 MACHINED SURFACES: 125/3.2 INCH/mm
 mm SHOWN IN [BRACKETS]

DRAWN BY **DBT 12/16/97**

DATE

APPROVED BY **KH 12/17/97**

DATE

REFERENCE

THIRD ANGLE PROJECTION



DESCRIPTION
CONN DIAGRAM-EXTERNAL
3 PHASE WITH PROTECTOR

MATERIAL **DECAL - 004014 (TSTAT) - 080582** PROCESS/FINISH **STOCK**

SIZE **A** DRAWING NUMBER **00501020** SHEET **1 OF 1**