



A Regal Brand

Catalog # : 171315.60  
Product Type: AC MOTOR  
Description:

Model: 171315.60  
Stock: Y

Quote:            Price:

Date: 08/07/2018



A Regal Brand

Catalog # : 171315.60  
Product Type: AC MOTOR  
Description:

Model: 171315.60  
Stock: Y

Engineering Data

Volts	460	Volts	380
F.L. Amps	186	F.L. Amps	187
S. F Amps	212	S. F Amps	215

RPM	1200	Hertz	60/50	TYPE	TF
HP	150	Duty	CONTINUOUS	Phase	3
KW	112	Serv. Factor	1.15	Code	G
Frame	447T	Design	B	Therm.Prot.	
Max Amb	40	Protection	NOT	PF	78.5
Insul Class	F	Eff 75%		Bearing OPE	6317
Eff 100%	96.2	CSA	Yes	Bearing PE	6319
UL	V-INS, CONST UL REC	CE	Yes	Speed Range	NONE
CC Number	CC005A	Inverter Type			
Load Type					

Motor Wt.	2230 LB	Enclosure	TEFC	Lubrication	POLYREX EM
Nameplate	081103	Mounting	RIGID	Rotation	REV
Assembly		Shaft Dia.		Ext. Diag.	00519001
Cust Part No		Outline	16983360	Ext. Diag2	
Packaging	B	Outline Dash No		Winding	T22806012
Carton Label				GROUP :	2
Iris		Paint	GREEN - LEESON WATTSaver	Test Card	

Form Factor		RMS Amps		Const TorqueSpeed Range
Torque		Peak		
AB Code		Peak@DegC		
Resistance				
Connection				

Rework Status                      Rework TYPE

Hazardous Loc  
Explosion Proof  
Class  
Class

NONE

Temp Op Code  
GROUP  
GROUP

Brake Motors  
FORCE  
VDC  
ADC

Brake Coil OHMs @25 C

Performance  
Torque UOM  
Torque  
CURRENT (amps)  
Efficiency (%)  
PowerFactor

Inertia (WK<sup>2</sup>)

Load Curve Data @60/50 HzVolts,150Horsepower

Load	Amps	KW	RPM	Torque	Eff	PF	Rise By Resis	Frame Rise
0.0	67.0	2.2	1200	0.0	0.0	4.0	0.0	-
0.25	83.0	30.5	1199	164.0	91.7	46.0	0.0	-
0.5	111.0	58.5	1198	329.0	95.4	66.5	0.0	-
0.75	146.0	87.5	1196	494.0	95.8	75.0	0.0	-
1.0	186.0	116.0	1195	660.0	96.2	78.5	55.0	-
1.15	212.0	134.0	1192	759.0	95.8	79.0	75.0	-
1.25	230.0	146.0	1190	827.0	95.8	79.5	90.0	-

SOURCE: CALCULATED GROUP: 2

Load Curve Data @60/50HzVolts,150Horsepower

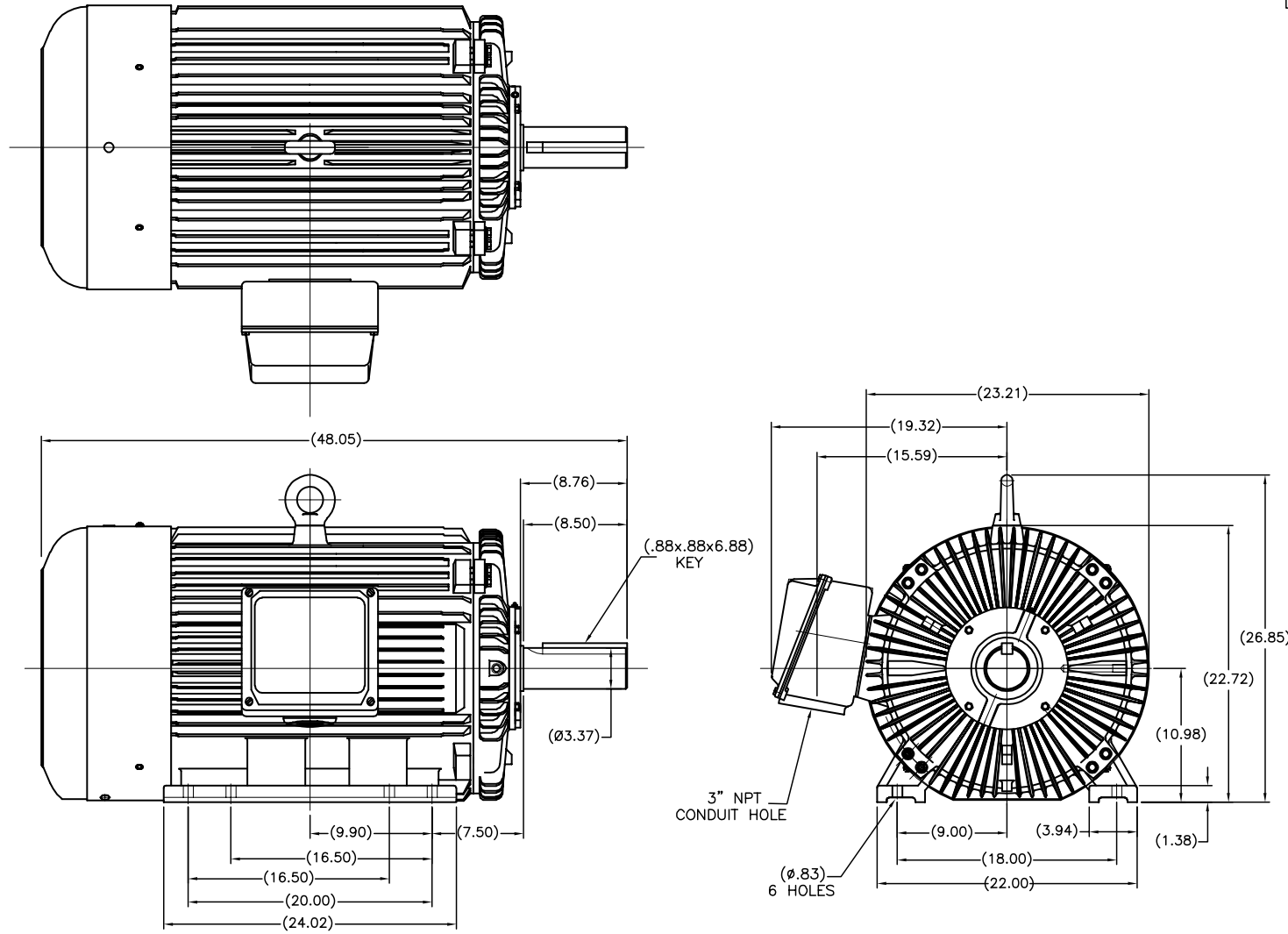
Load	Amps	KW	RPM	Torque	Eff	PF	Rise By Resis	Frame Rise
------	------	----	-----	--------	-----	----	---------------	------------

Load Curve Data Not Available

Quote: Price:

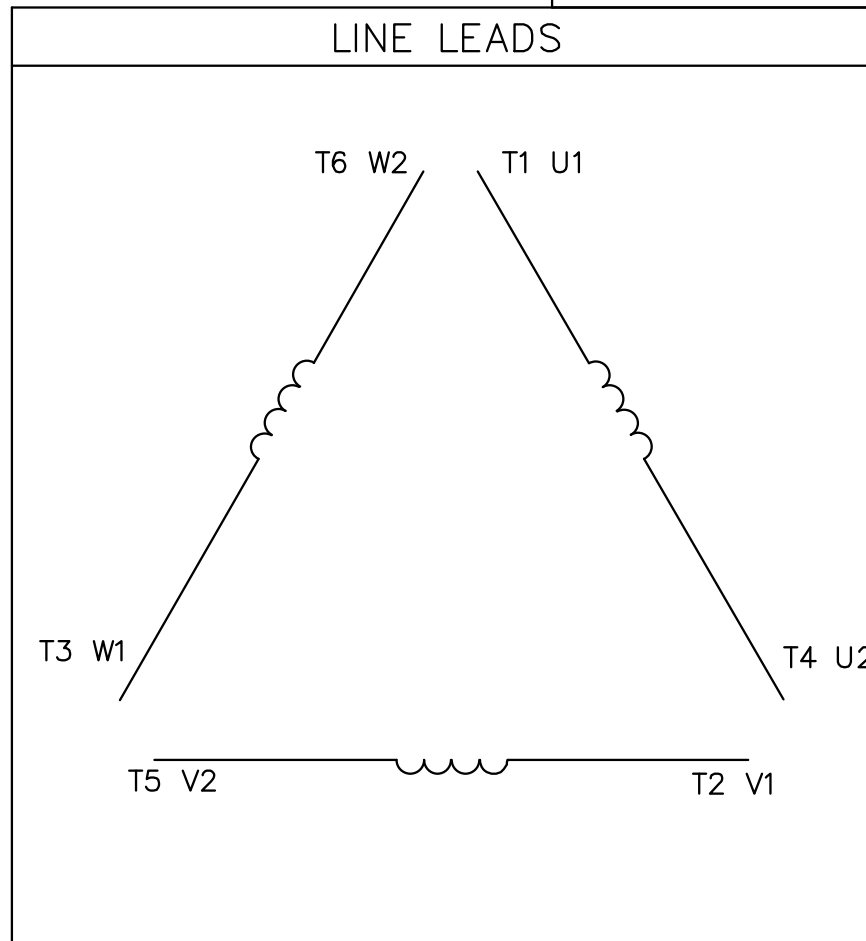
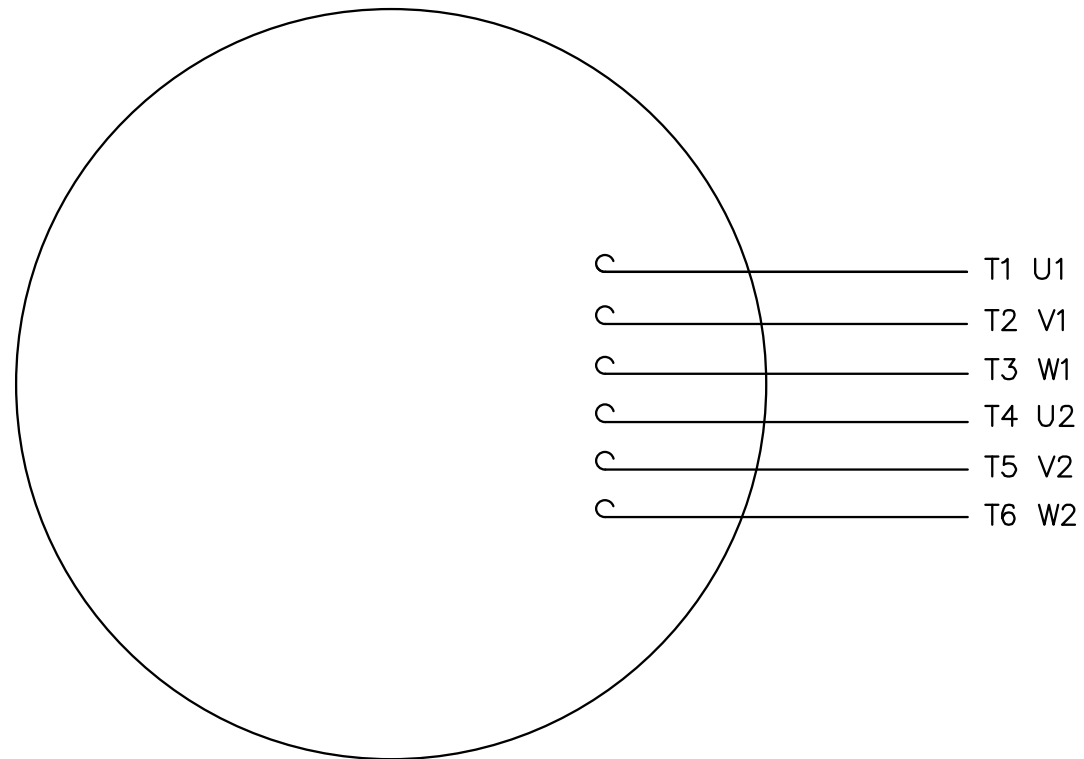
Date: 08/07/2018

16983360



		TOLERANCES UNLESS SPECIFIED		REGAL REGAL - BELOIT CORPORATION		DRAWN MOL 06-30-2011	
		DEC.	INCHES			CHK	MOL 06-30-2011
		.X	±.1			APPD	
		.XX	±.03	TITLE OUTLINE-447T FR-TEFC-RIGID		SCALE	1=6
		.XXX	±.005	MEETS NEC/UL REQ CON-BOX VOL=9750		REF	
		.XXXX	±.0005	MAT'L. CAST IRON		FMF	
NO.	REVISION	BY & DATE	CHK	ANG	FINISH	PREV	
THIS DRAWING IN DESIGN AND DETAIL IS OUR PROPERTY AND MUST NOT BE USED EXCEPT IN CONNECTION WITH OUR WORK ALL RIGHTS OF DESIGN AND INVENTION ARE RESERVED THIS IS AN ELECTRONICALLY GENERATED DOCUMENT - DO NOT SCALE THIS PRINT				RFP	CAD FILE 16983360	SIZE	DRAWING NO. PAGE 1 OF 1 REV.
				DIST		B	16983360 2

005190-01



	L1	L2	L3	JOIN
START (WYE)	T1 U1	T2 V1	T3 U2	(T4,T5,T6) (U2,V2,W2)
RUN (DELTA)	(T1,T6) (U1,W2)	(T2,T4) (V1,U2)	(T3,T5) (W1,V2)	

				TOLERANCES UNLESS OTHERWISE SPECIFIED		<b>LEESON</b> ELECTRIC CORPORATION	
				DECIMALS			
03	ADDED IEC DESIGNATIONS	MOL	4/27/2012	.00	± .01	DRAWN PG 05/07/82	TITLE EXT. WIRING DIAGRAM
02	REMOVED OBSOLETE STATUS	KJH	6/28/99	.000	± .005	CH'K'D. TEM	STAR START - DELTA RUN
01	REDRAWN ON CAD	DBT	05/30/97	.0000	± .0005	APPR. 05/07/82	MAT'L. Y-CONNECTED START
NO.	REVISION	BY	DATE	FRACTIONS	± 1/64	SCALE 1=1	DELTA CONNECTED RUN - SINGLE VOLTAGE
THIS DRAWING IN DESIGN AND DETAIL IS OUR PROPERTY AND MUST NOT BE USED EXCEPT IN CONNECTION WITH OUR WORK ALL RIGHTS OF DESIGN AND INVENTION ARE RESERVED				ANGLES	± 1/2'	REF. T2E	FINISH
				INCH/MM		FMF ELECTRO POWER	SIZE A