



A Regal Brand

Catalog # : 170031.60
Product Type: AC MOTOR
Description:

Model: 170031.60
Stock: Y

Quote: Price:

Date: 08/07/2018

Hazardous Loc
Explosion Proof
Class
Class

NONE

Temp Op Code
GROUP
GROUP

Brake Motors
FORCE
VDC
ADC

Brake Coil OHMs @25 C

Performance

Torque UOM LB-FT
Torque 220.3(Full Load)
CURRENT (amps) 85.5(Full Load)
Efficiency (%) 0(Full Load)
PowerFactor 85.5(Full Load)

Inertia (WK²)
586(Break Down) 310(Pull Up) 393(Locked Rotor)
287(Break Down) 459(Pull Up) 560(Locked Rotor)
95.8(75% Load) 95.4(50% Load) 92.4(25% Load)
83(75% Load) 75.5(50% Load) 55(25% Load)

Load Curve Data @60/50 HzVolts,75Horsepower

Load	Amps	KW	RPM	Torque	Eff	PF	Rise By Resis	Frame Rise
0.0	27.5	1.035	1800	0.0	0.0	4.5	0.0	-
0.25	34.5	15.11	1797	5.5	92.4	55.0	0.0	-
0.5	48.5	29.33	1795	110.0	95.4	75.5	0.0	-
0.75	66.0	43.74	1790	165.0	95.8	83.0	0.0	-
1.0	85.5	58.3	1785	221.0	95.8	85.5	70.0	-
1.15	99.5	67.0	1780	254.0	95.4	86.0	90.0	-
1.25	107.0	73.1	1777	277.0	95.4	86.0	0.0	-
1.5	130.0	88.17	1775	333.0	95.0	85.5	0.0	-

SOURCE: CALCULATED GROUP: 3

Load Curve Data @60/50HzVolts,75Horsepower

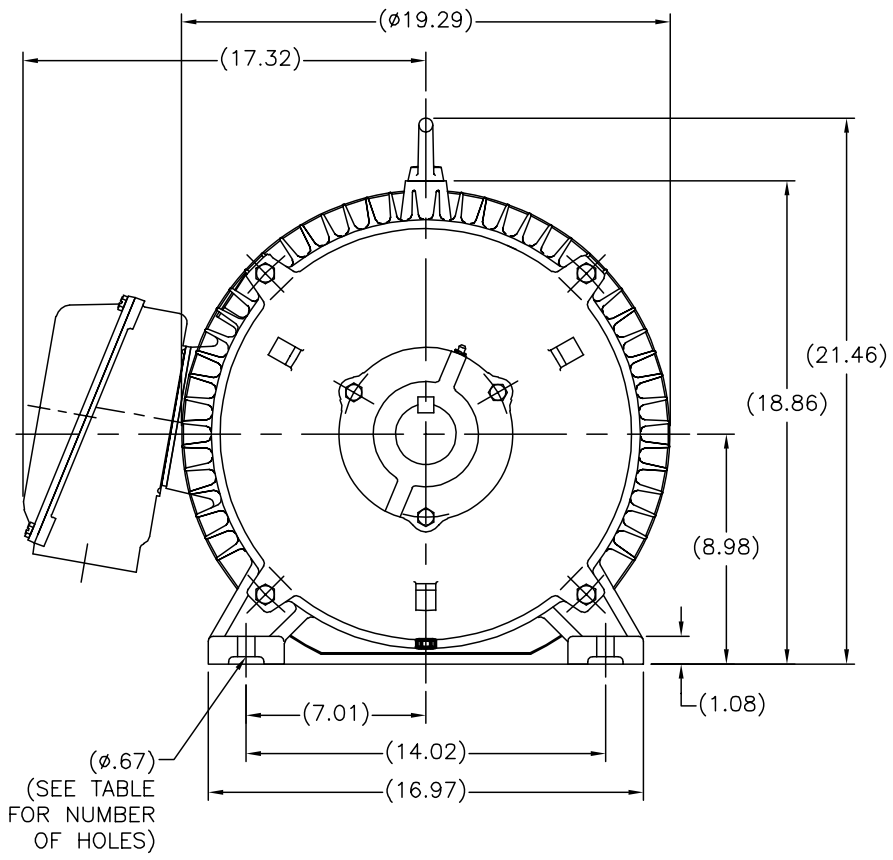
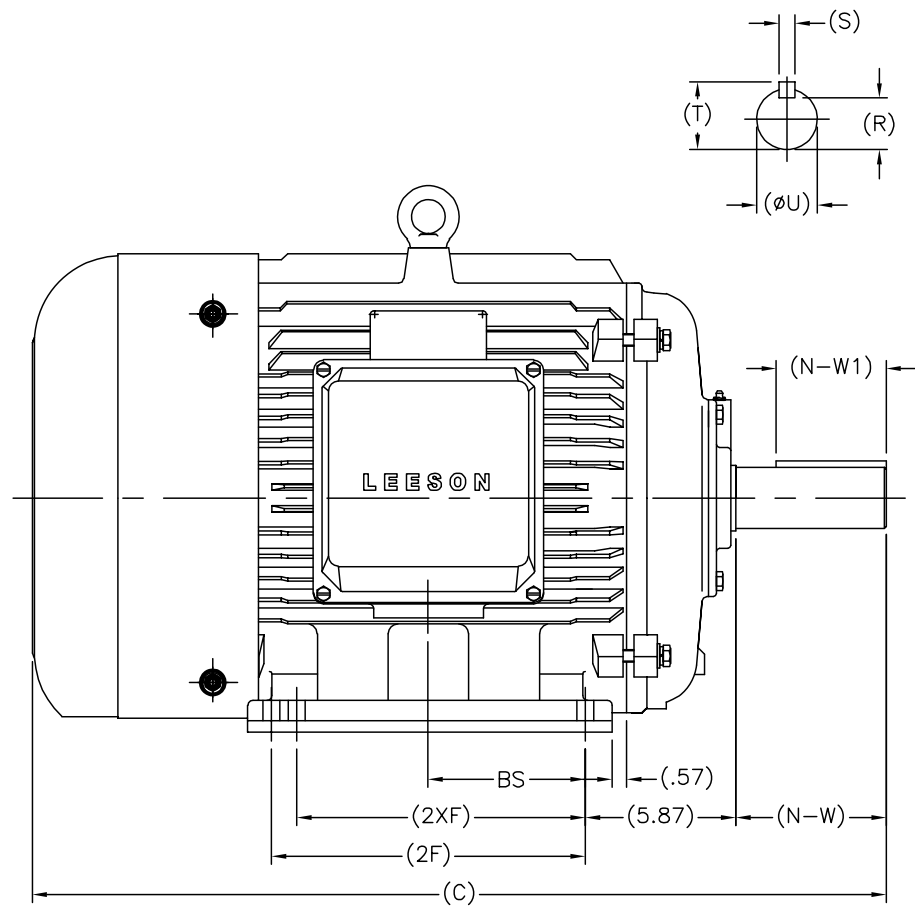
Load	Amps	KW	RPM	Torque	Eff	PF	Rise By Resis	Frame Rise
------	------	----	-----	--------	-----	----	---------------	------------

Load Curve Data Not Available

Quote: Price:

Date: 08/07/2018

SS622180LE



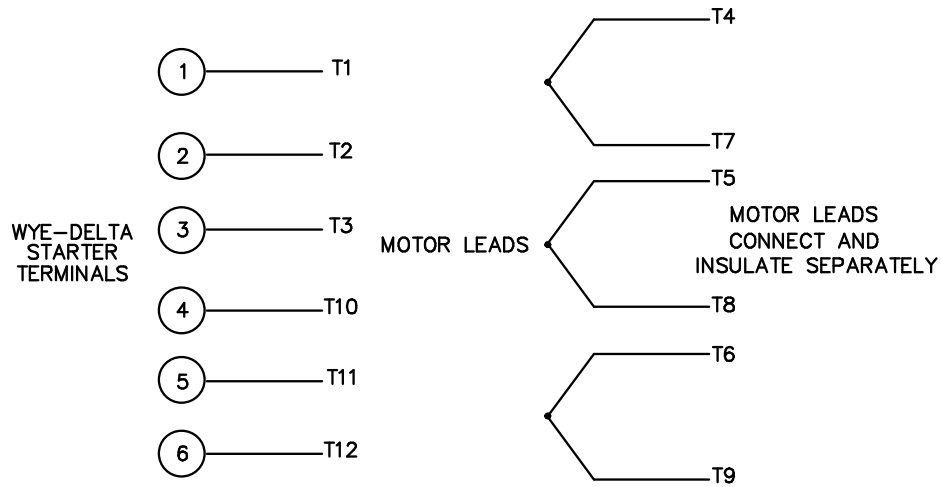
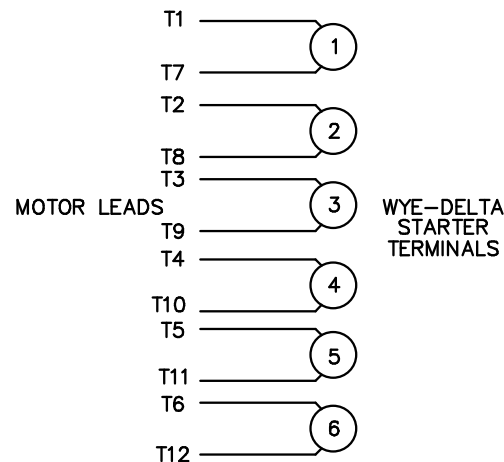
											TOLERANCES UNLESS SPECIFIED		REGAL REGAL-BELOIT CORPORATION		DRAWN MSG 02/13/2007				
											DEC.	INCHES			CHK	ML 02/16/2007			
											.X	±.1			APPD	SB 02/23/2007			
											.XX	±.03	TITLE OUTLINE		SCALE N/A				
											.XXX	±.005	360 FR. - TEFC - (REDESIGNED)		REF				
											.XXXX	±.0005	MAT'L.		FMF HEBEI				
											CHK	ANG ±7°30"	FINISH		PREV				
											RFP		CAD FILE SS622180LE		SIZE	DRAWING NO. PAGE 1 OF 1 REV.			
											DIST				A	SS622180LE 1			
NT364TS-2	30.20	11.26	---	4	3.74	2.05	1.87	1.59	0.50	2.09	---	1	ADDED BS DIM. UPDATED TITLE BLOCK, ECO-0048910	RFH 04/07/2014	EH				
NT365TS-2	31.18	12.24	11.26	6															
NT364T-4, 6	32.32	11.26	---	4	5.87	4.29	2.37	2.01	0.63	2.64	5.60								
NT365T-4, 6	33.31	12.24	11.26	6							6.10								
FRAME	C	2F	2XF	HOLES	N-W	N-W1	øU	R	S	T	BS								

THIS DRAWING IN DESIGN AND DETAIL IS OUR PROPERTY AND MUST NOT BE USED EXCEPT IN CONNECTION WITH OUR WORK ALL RIGHTS OF DESIGN AND INVENTION ARE RESERVED THIS IS AN ELECTRONICALLY GENERATED DOCUMENT - DO NOT SCALE THIS PRINT

WYE - DELTA STARTING USEABLE ON 2,4 AND 6 POLE MOTORS.

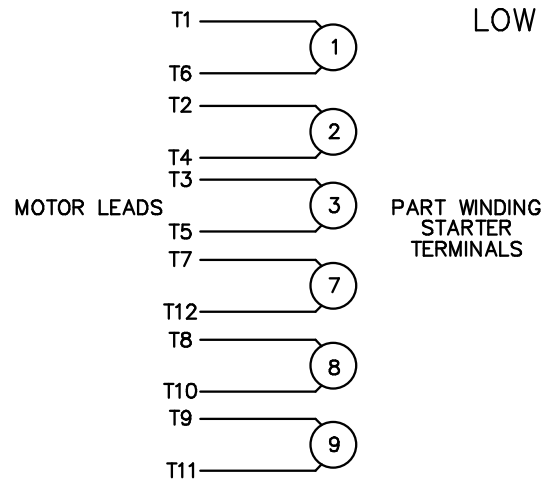
LOW VOLTAGE CONNECTION

HIGH VOLTAGE CONNECTION



REFER TO THE WYE-DELTA STARTER CONNECTION INSTRUCTIONS FOR PROPER CONNECTION OF POWER LINES TO STARTER.

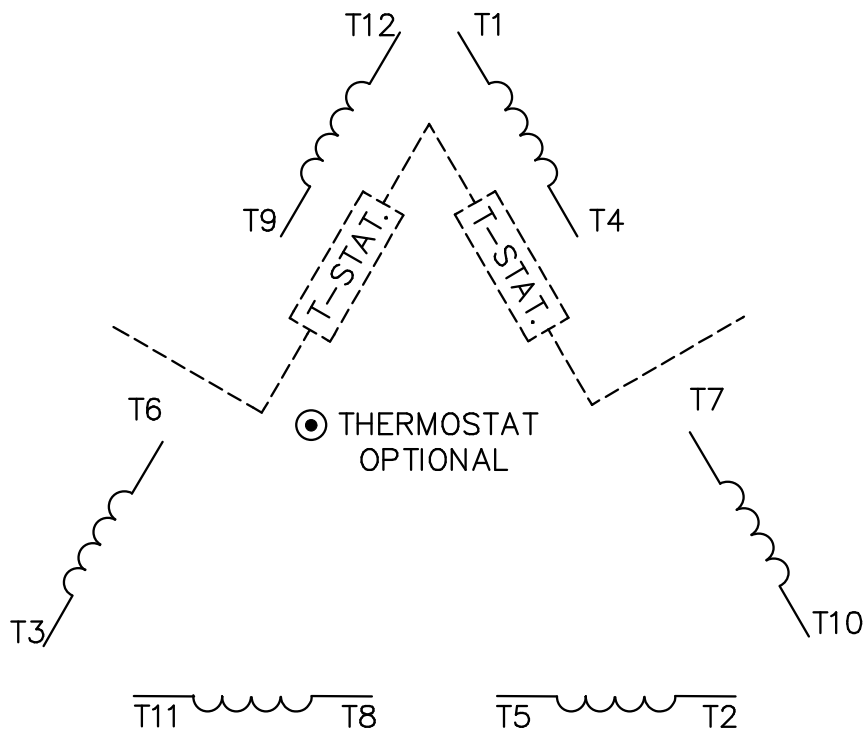
PART WINDING START USABLE ON 4 & 6 POLE MOTORS LOW VOLTAGE CONNECTION ONLY



REFER TO THE PART WINDING STARTER INSTRUCTIONS FOR PROPER CONNECTION OF POWER LINES TO STARTER.

REFER TO THE CUTLER - HAMMER OR EQUIV. FOR PROPER SELECTION OF OVERLOAD HEATER COILS.

LINE LEADS



ROTATION CAN BE REVERSED BY INTERCHANGING ANY TWO LINE LEADS
 ⊙ RED LEADS OR P1, P2, FOR N/C THERMOSTAT

ACROSS THE LINE START & RUN

	LINE 1	LINE 2	LINE 3	JOIN & INSULATE SEPARATELY
HIGH VOLT	T1, T12	T2, T10	T3, T11	(T4, T7) (T5, T8) (T6, T9)
LOW VOLT	T1, T6 T7, T12	T2, T4 T8, T10	T3, T5 T9, T11	

NO.	REVISION	BY & DATE	CHK	TOLERANCES UNLESS SPECIFIED		FINISH	RFP	CAD FILE	00417201	SIZE	DRAWING NO.	REV.
				DEC.	INCHES							
				.X	±.1							
03	REV'D LOW VOLTAGE CONN. LEADS PER ELEC.	BJB 06/07/00		.XX	±.01	TITLE		DELTA - WYE CONNECTION DIAGRAM				
02	ADDED T-STAT. NOTES PER ELECTRICAL	KMM 06/02/98		.XXX	±.005							
01	REDRAWN TO CAD	DBT 06/02/97		.XXXX	±.0005	MAT'L.						
				ANG	±1/2°							
										A	004172-01	03



ELECTRIC MOTORS
GEARMOTORS
AND DRIVES

DRAWN WLW 09/08/77
 CHK RPB 09/12/77
 APPD JCW 09/12/77
 SCALE 1=1
 REF
 FMF
 PREV