



A Regal Brand

Catalog # : 121968.00
Product Type: AC MOTOR
Description:

Model: 121968.00
Stock: Y

Quote: Price:

Date: 08/02/2018



A Regal Brand

Catalog # : 121968.00
Product Type: AC MOTOR
Description:

Model: 121968.00
Stock: Y

Engineering Data

Volts	230	Volts	460	Volts	
F.L. Amps	8	F.L. Amps	4	F.L. Amps	
S. F Amps	9.2	S. F Amps	4.6	S. F Amps	

RPM	3600	Hertz	60	TYPE	TF
HP	3	Duty	CONTINUOUS		
KW	2.24				
Frame	145T	Serv. Factor	1.15	Phase	3
Max Amb	40	Design	A	Code	N
Insul Class	F	Protection	NOT	Therm.Prot.	9700K46
Eff 100%	86.5	Eff 75%		PF	86
UL	Y-(LEESON UL REC)	CSA	Yes	Bearing OPE	6203
CC Number	CC005A	CE	Yes	Bearing PE	6205
Load Type		Inverter Type		Speed Range	NONE

Motor Wt.	48 LB	Enclosure	TEFC	Lubrication	POLYREX EM
Nameplate	993500	Mounting	RIGID	Rotation	REV
Assembly		Shaft Dia.		Ext. Diag.	005010.20
Cust Part No		Outline	OL121968	Ext. Diag2	
Packaging	N	Outline Dash No		Winding	T632209
Carton Label	Leeson Wattsaver			GROUP :	3
Iris		Paint	GREEN - LEESON WATTSaver	Test Card	01

Form Factor		RMS Amps		Const TorqueSpeed Range
Torque		Peak		
AB Code		Peak@DegC		
Resistance				
Connection				

Rework Status Rework TYPE

Hazardous Loc NONE
 Explosion Proof
 Class
 Class

Temp Op Code
 GROUP
 GROUP

Brake Motors
 FORCE
 VDC
 ADC

Brake Coil OHMs @25 C

Performance
 Torque UOM LB-FT
 Torque 4.5(Full Load) Inertia (WK²) 20.83(Break Down)
 CURRENT (amps) 4(Full Load) 0(Break Down)
 Efficiency (%) 0(Full Load) 86(75% Load)
 PowerFactor 0(Full Load) 82.2(75% Load)
 .09 LB-FT²
 17.5(Pull Up) 17.97(Locked Rotor)
 0(Pull Up) 41(Locked Rotor)
 84.2(50% Load) 76.4(25% Load)
 72.7(50% Load) 52.4(25% Load)

Load Curve Data @60 HzVolts,3Horsepower

Load	Amps	KW	RPM	Torque	Eff	PF	Rise By Resis	Frame Rise
0.0	1.9	0.27	3596	0.0	0.0	17.8	0.0	-
0.25	2.0	0.752	3578	1.1	74.3	47.2	0.0	-
0.5	2.5	1.347	3557	2.22	83.2	67.6	0.0	-
0.75	3.1	1.957	3532	3.34	85.6	79.2	0.0	-
1.0	4.0	2.598	3506	4.5	86.9	81.0	60.0	-
1.25	4.7	3.24	3481	5.66	86.4	86.5	0.0	-
1.5	5.5	3.92	3454	6.84	85.6	89.5	0.0	-
1.15	4.35	2.968	3496	5.2	86.8	86.2	0.0	-

SOURCE: CALCULATED GROUP: 3

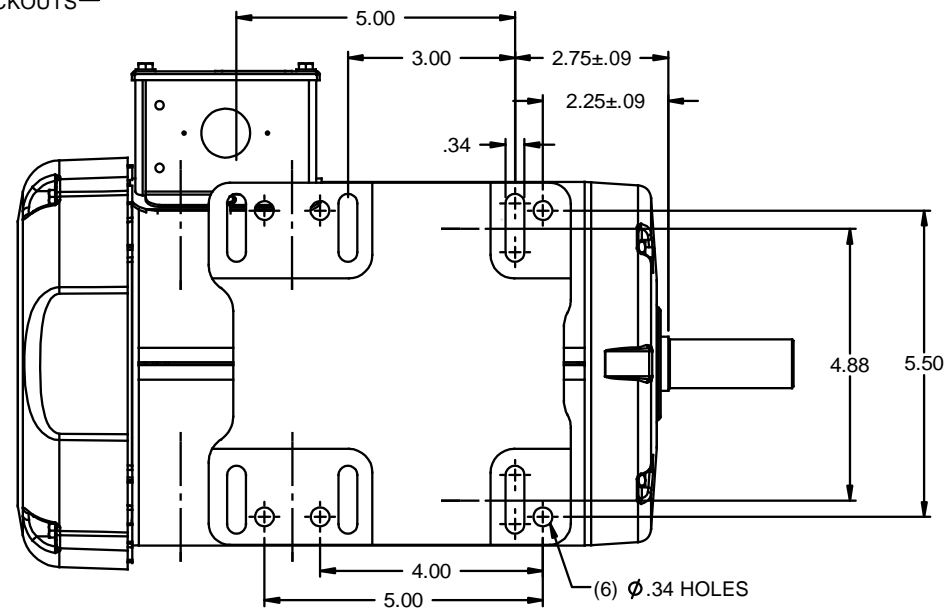
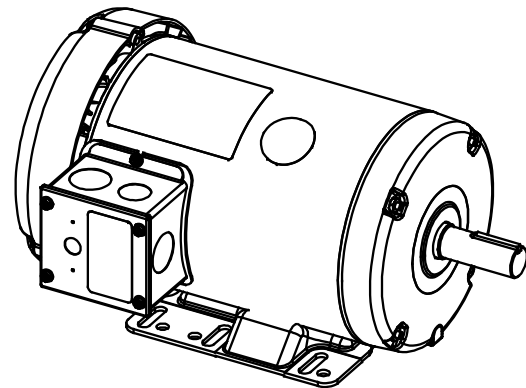
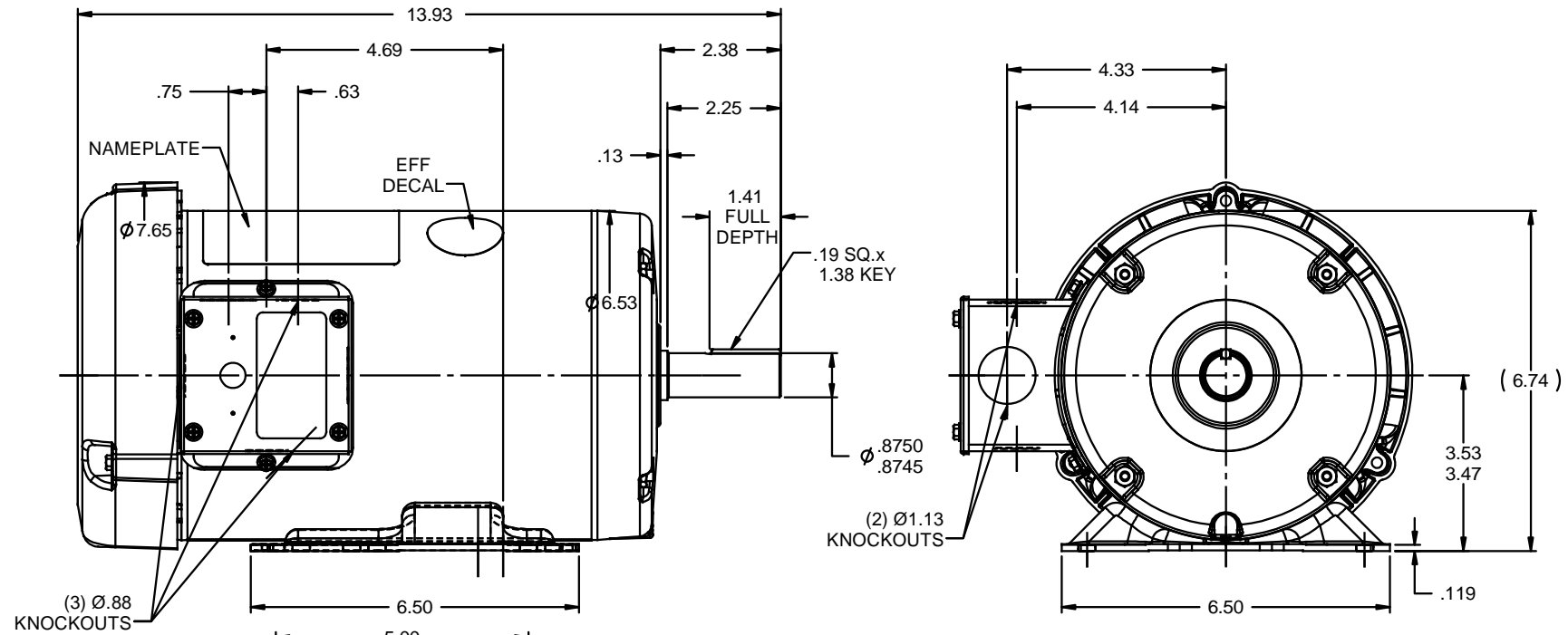
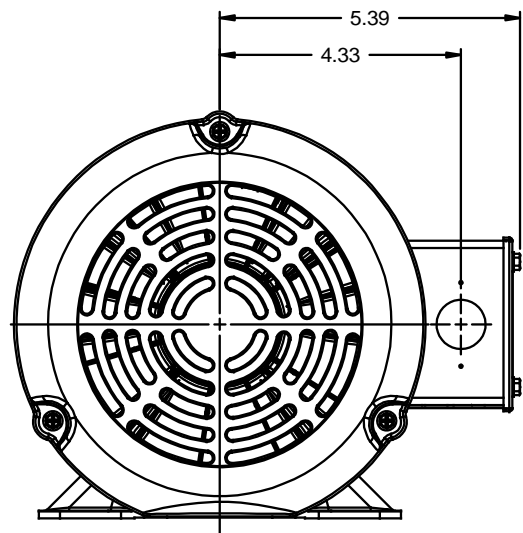
Load Curve Data @60HzVolts,3Horsepower

Load	Amps	KW	RPM	Torque	Eff	PF	Rise By Resis	Frame Rise
------	------	----	-----	--------	-----	----	---------------	------------

Load Curve Data Not Available

Quote: Price:

Date: 08/02/2018

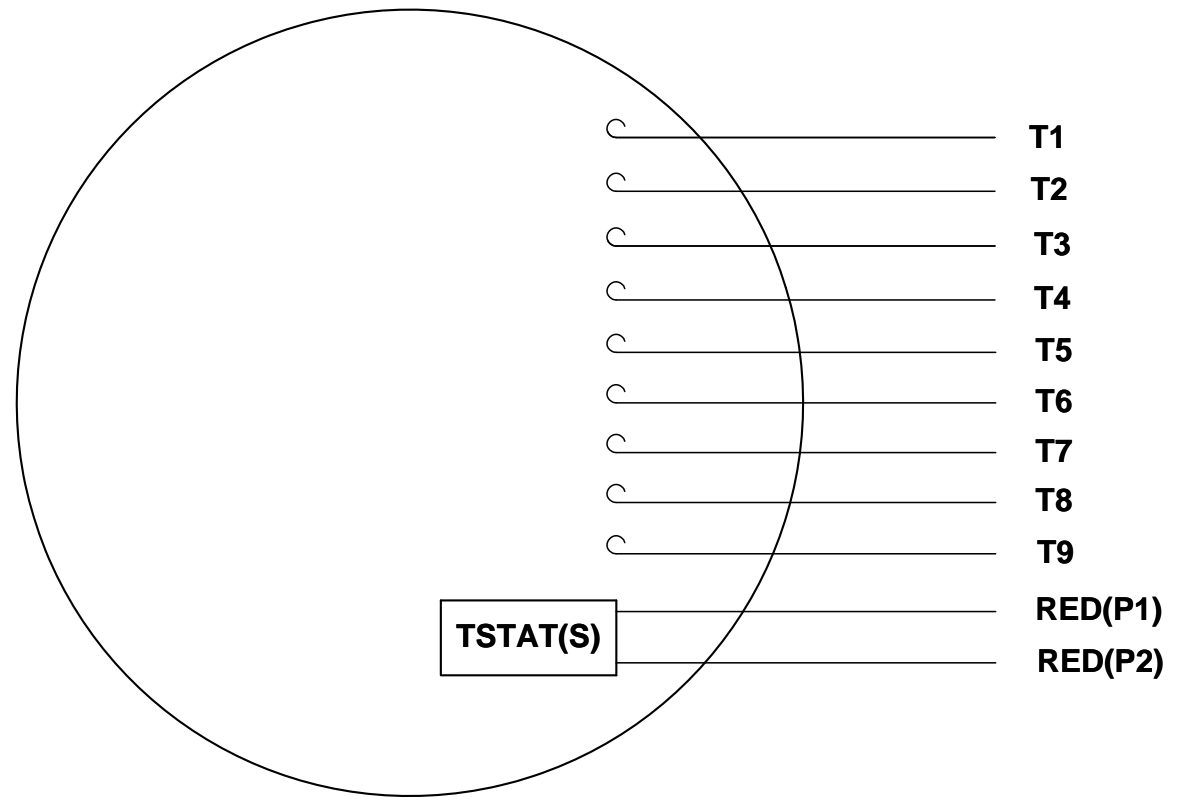


NOTE:
1) GASKETS THROUGHOUT

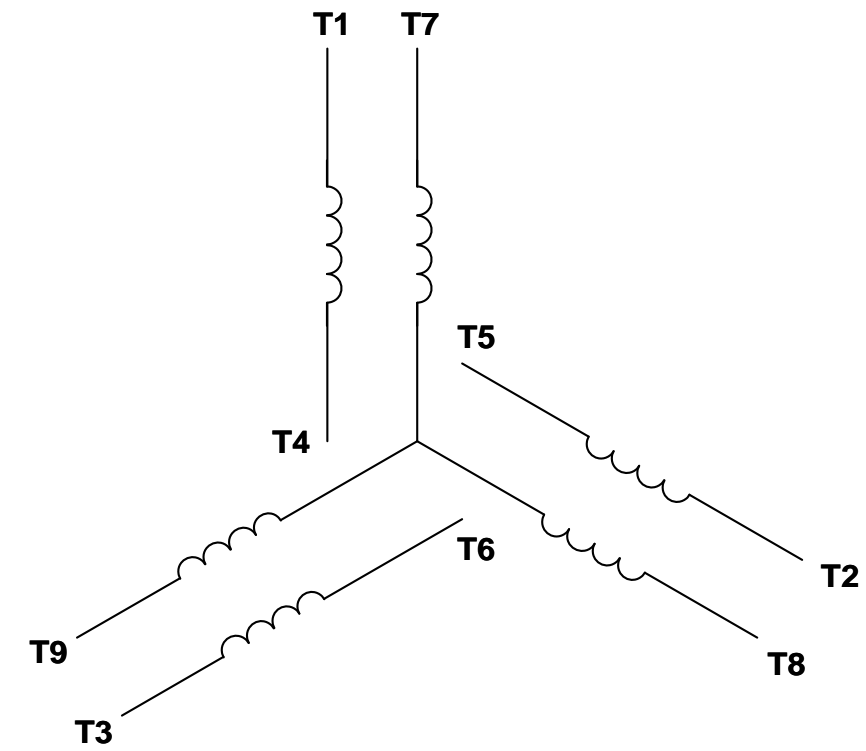
RBC PROPRIETARY AND CONFIDENTIAL INFORMATION
This document is the property of REGAL BELOIT CORPORATION ("RBC") including its subsidiaries and divisions and contains proprietary information of RBC. This document is loaned on the express condition that neither it nor the information contained therein shall be disclosed to others without the express written consent of RBC, and that the information shall be used by the recipient only as approved expressly by RBC. This document shall be returned to RBC upon its request. This document may be subject to certain restrictions under U.S. export control laws and regulations.

TOLERANCES UNLESS SPECIFIED		DEC	INCHES	LEESON	ELECTRIC MOTORS GEARMOTORS AND DRIVES	DRAWN JD 07/14/2011	
NO	REVISION					CHK	APPR
		X	±.1				
		XX	±.03		TITLE OUTLINE - 140T/56HZ FRAME		SCALE 3:8
		XXX	±.005		TEFC - RIGID		REF 028765
		XXXX	±.0005		MAT'L		FMF 121968.00
		CHK	ANG ±1/2°		FINISH GENERAL PURPOSE		PAGE OF
	THIRD ANGLE PROJECTION	RFP		PREV	SIZE	DRAWING NO	REV
			NETWORK FILE NAME OL121968		B	OL121968	

VIEW FROM OUTSIDE OF MOTOR AT SWITCH END. Uncontrolled Copy



LINE LEADS



VOLTAGE	L1	L2	L3	JOIN & INSULATE
HIGH	T1	T2	T3	(T4,T7) (T5,T8) (T6,T9)
LOW	T1,T7	T2,T8	T3,T9	T4,T5,T6

DRAWING REVISION **G** REVISION BY **MVG** DATE **04/05/2017**

ECO **ECO-0121253** APPROVED BY **SM** DATE **04/05/2017**

ECO DESCRIPTION
ADDED P1 & P2 FOR TSTAT

COPYRIGHT REGAL BELOIT AMERICA, INC. ALL RIGHTS RESERVED. PROPRIETARY AND CONFIDENTIAL INFORMATION - THIS DOCUMENT IS THE PROPERTY OF REGAL BELOIT AMERICA, INC. ("OWNER") AND CONTAINS OWNER'S PROPRIETARY INFORMATION. ANY PERSON, CORPORATION OR OTHER FIRM RECEIVING IT IS DEEMED, BY RECEIVING IT, TO AGREE THAT IT, AND/OR ANY PART OF IT, SHALL NOT BE DISCLOSED TO ANY PERSON, CORPORATION OR OTHER ENTITY, DUPLICATED, AND/OR USED, EXCEPT AS EXPRESSLY APPROVED IN WRITING IN ADVANCE BY OWNER. THIS DOCUMENT SHALL BE RETURNED TO OWNER UPON REQUEST. IT MAY BE SUBJECT TO CERTAIN RESTRICTIONS UNDER APPLICABLE EXPORT CONTROL LAWS AND REGULATIONS.

TOLERANCES UNLESS OTHERWISE SPECIFIED:

DEC.	INCH	mm	ANGLE
.X	±0.1	[±2.5]	±0.5°
.XX	±0.01	[±0.25]	
.XXX	±0.005	[±0.127]	
.XXXX	±0.0005	[±0.0127]	

REMOVE BURRS & BREAK SHARP EDGES: .003/.015 [.076/.381] X 45°
 CORNER FILLETS: R.02 [.51]
 MACHINED SURFACES: 125/3.2 INCH/mm

mm SHOWN IN [BRACKETS]

DRAWN BY **DBT 12/16/97**

DATE

APPROVED BY **KH 12/17/97**

DATE

REFERENCE

THIRD ANGLE PROJECTION



DESCRIPTION
CONN DIAGRAM-EXTERNAL
3 PHASE WITH PROTECTOR

MATERIAL **DECAL - 004014 (TSTAT) - 080582** PROCESS/FINISH **STOCK**

SIZE **A** DRAWING NUMBER **00501020** SHEET **1 OF 1**