



A Regal Brand

Catalog # : 116761.00  
Product Type: AC MOTOR  
Description:

Model: 116761.00  
Stock: Y

Quote:            Price:

Date: 08/02/2018



A Regal Brand

Catalog # : 116761.00  
Product Type: AC MOTOR  
Description:

Model: 116761.00  
Stock: Y

Engineering Data

Volts	230	Volts	460	Volts	190/380
F.L. Amps	5.8	F.L. Amps	2.9	F.L. Amps	6.8/3.4
S. F Amps	7	S. F Amps	3.5	S. F Amps	8/4

RPM	1800	Hertz	60/50	TYPE	TF
HP	2	Duty	CONTINUOUS	Phase	3
KW	1.49	Serv. Factor	1.25	Code	L
Frame	56H	Design	B	Therm.Prot.	9700K46
Max Amb	40	Protection	NOT	PF	75.6
Insul Class	F	Eff 75%		Bearing OPE	6203
Eff 100%	86.5	CSA	Yes	Bearing PE	6203
UL	Y-(LEESON UL REC)	CE	Yes	Speed Range	NONE
CC Number	EXEMPT	Inverter Type			

Motor Wt.	45 LB	Enclosure	TEFC	Lubrication	POLYREX EM
Nameplate	993500	Mounting	RIGID	Rotation	REV
Assembly		Shaft Dia.	5/8 IN	Ext. Diag.	005010.20
Cust Part No		Outline	028792-800	Ext. Diag2	
Packaging	B	Outline Dash No		Winding	T634340
Carton Label	Leeson Wattsaver			GROUP :	3
Iris		Paint	GREEN - LEESON WATTSAYER	Test Card	01

Form Factor		RMS Amps		Const TorqueSpeed Range
Torque		Peak		
AB Code		Peak@DegC		
Resistance				
Connection				

Rework Status                      Rework TYPE

Hazardous Loc  
Explosion Proof  
Class  
Class

NONE

Temp Op Code  
GROUP  
GROUP

Brake Motors  
FORCE  
VDC  
ADC

Brake Coil OHMs @25 C

Performance					
Torque UOM	LB-FT		Inertia (WK <sup>2</sup> )	.16 LB-FT <sup>2</sup>	
Torque	6(Full Load)		28.8(Break Down)	24.6(Pull Up)	24.6(Locked Rotor)
CURRENT (amps)	2(Full Load)		19.17(Break Down)	25.37(Pull Up)	26.58(Locked Rotor)
Efficiency (%)	0(Full Load)		85.5(75% Load)	83.5(50% Load)	74.5(25% Load)
PowerFactor	72.1(Full Load)		64(75% Load)	52(50% Load)	33.5(25% Load)

Load Curve Data @60/50 HzVolts,2Horsepower

Load	Amps	KW	RPM	Torque	Eff	PF	Rise By Resis	Frame Rise
0.0	1.7	0.1	1800	0.0	0.0	7.0	0.0	-
0.25	1.9	0.5	1785	1.5	74.5	33.5	0.0	-
0.5	2.2	0.95	1775	3.0	83.5	52.0	0.0	-
0.75	2.6	1.35	1762	4.5	85.5	64.0	0.0	-
1.0	2.9	1.75	1745	6.0	86.5	75.6	55.0	-
1.15	3.2	2.0	1740	6.9	86.0	76.5	75.0	-
1.25	3.5	2.15	1730	7.5	85.5	77.5	85.0	-
1.5	4.1	2.6	1718	9.0	84.0	80.5	0.0	-

SOURCE: CALCULATED GROUP: 3

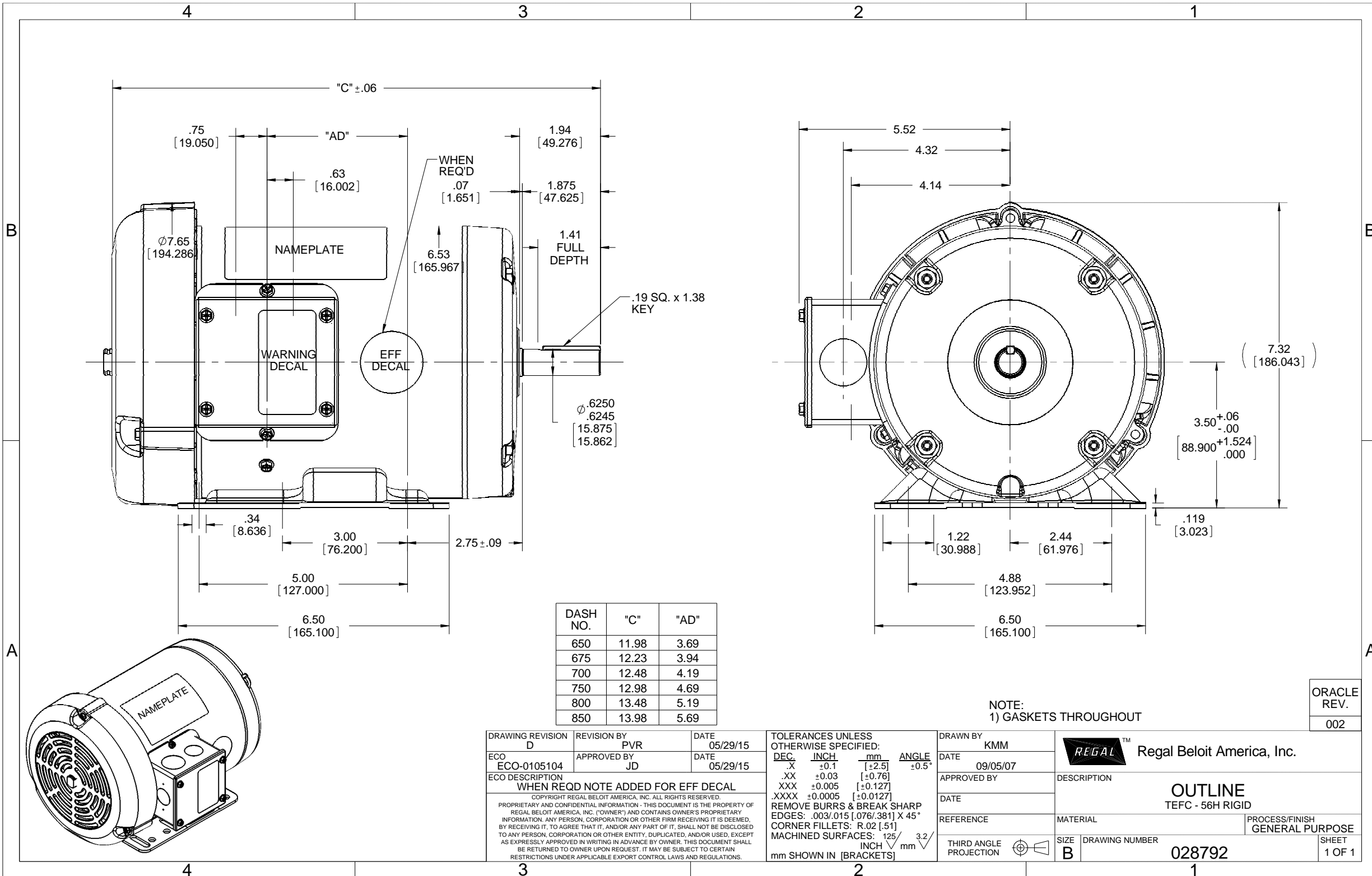
Load Curve Data @60/50HzVolts,2Horsepower

Load	Amps	KW	RPM	Torque	Eff	PF	Rise By Resis	Frame Rise
------	------	----	-----	--------	-----	----	---------------	------------

Load Curve Data Not Available

Quote: Price:

Date: 08/02/2018

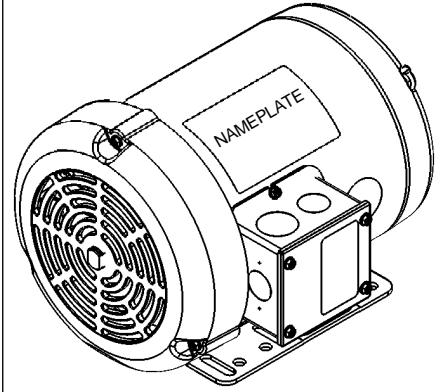


DASH NO.	"C"	"AD"
650	11.98	3.69
675	12.23	3.94
700	12.48	4.19
750	12.98	4.69
800	13.48	5.19
850	13.98	5.69

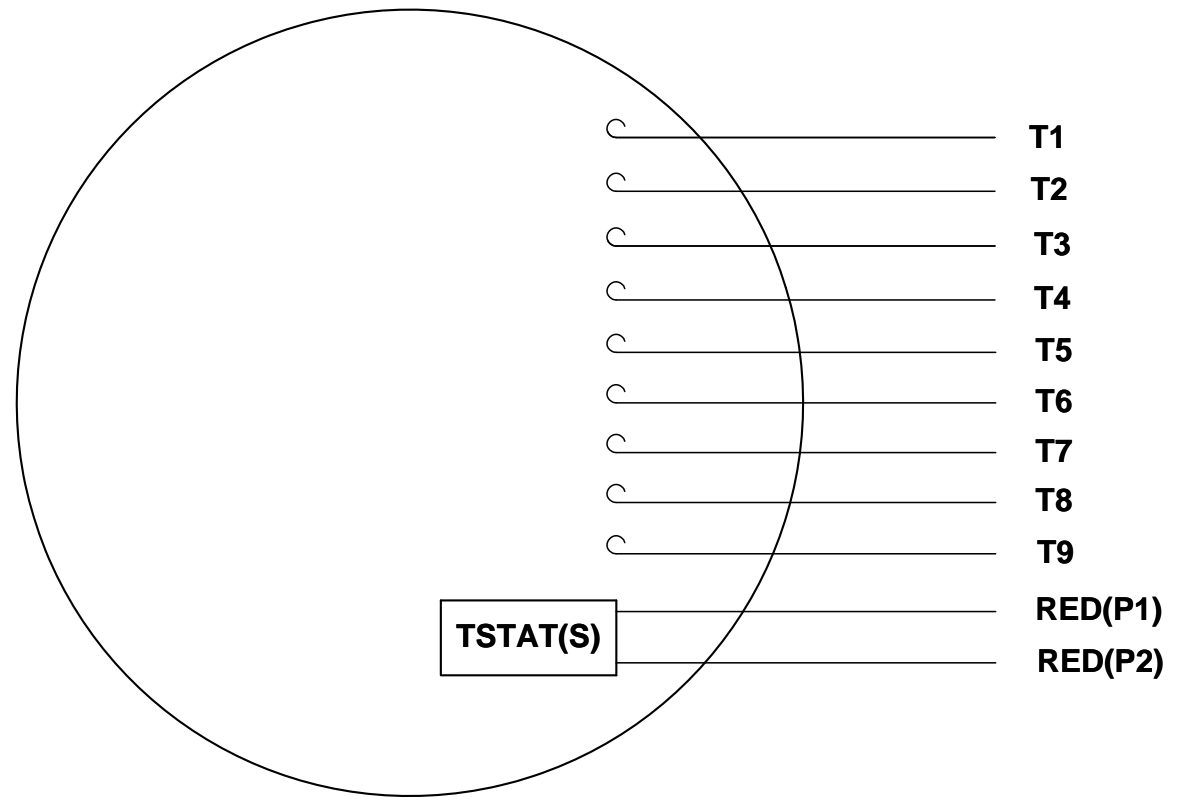
NOTE:  
1) GASKETS THROUGHOUT

ORACLE  
REV.  
002

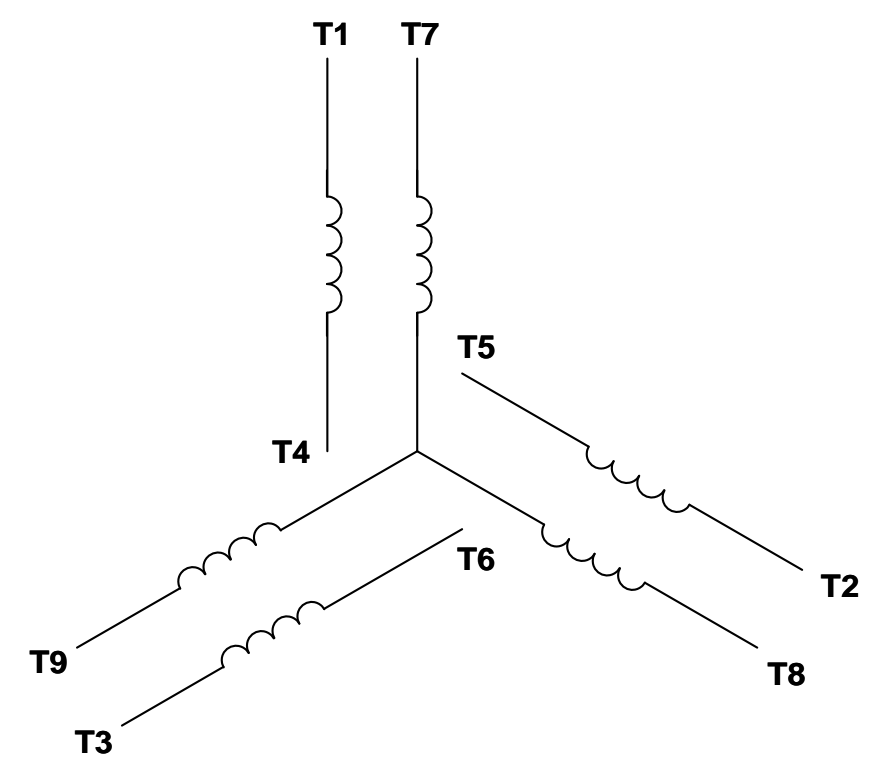
DRAWING REVISION D	REVISION BY PVR	DATE 05/29/15	TOLERANCES UNLESS OTHERWISE SPECIFIED: DEC. INCH mm ANGLE .X ±0.1 [±2.5] ±0.5° .XX ±0.03 [±0.76] .XXX ±0.005 [±0.127] .XXXX ±0.0005 [±0.0127]	DRAWN BY KMM	Regal Beloit America, Inc.	
ECO ECO-0105104	APPROVED BY JD	DATE 05/29/15	REMOVE BURRS & BREAK SHARP EDGES: .003/.015 [.076/.381] X 45° CORNER FILLETS: R.02 [.51] MACHINED SURFACES: 125 INCH 3.2 mm SHOWN IN [BRACKETS]	DATE 09/05/07		
ECO DESCRIPTION WHEN REQ'D NOTE ADDED FOR EFF DECAL COPYRIGHT REGAL BELOIT AMERICA, INC. ALL RIGHTS RESERVED. PROPRIETARY AND CONFIDENTIAL INFORMATION - THIS DOCUMENT IS THE PROPERTY OF REGAL BELOIT AMERICA, INC. ("OWNER") AND CONTAINS OWNER'S PROPRIETARY INFORMATION. ANY PERSON, CORPORATION OR OTHER FIRM RECEIVING IT IS DEEMED, BY RECEIVING IT, TO AGREE THAT IT, AND/OR ANY PART OF IT, SHALL NOT BE DISCLOSED TO ANY PERSON, CORPORATION OR OTHER ENTITY, DUPLICATED, AND/OR USED, EXCEPT AS EXPRESSLY APPROVED IN WRITING IN ADVANCE BY OWNER. THIS DOCUMENT SHALL BE RETURNED TO OWNER UPON REQUEST. IT MAY BE SUBJECT TO CERTAIN RESTRICTIONS UNDER APPLICABLE EXPORT CONTROL LAWS AND REGULATIONS.			REFERENCE	DESCRIPTION <b>OUTLINE</b> TEFC - 56H RIGID	PROCESS/FINISH GENERAL PURPOSE	
			THIRD ANGLE PROJECTION	SIZE B	DRAWING NUMBER <b>028792</b>	SHEET 1 OF 1



VIEW FROM OUTSIDE OF MOTOR AT SWITCH END. Uncontrolled Copy



**LINE LEADS**



VOLTAGE	L1	L2	L3	JOIN & INSULATE
HIGH	T1	T2	T3	(T4,T7) (T5,T8) (T6,T9)
LOW	T1,T7	T2,T8	T3,T9	T4,T5,T6

DRAWING REVISION **G** REVISION BY **MVG** DATE **04/05/2017**

ECO **ECO-0121253** APPROVED BY **SM** DATE **04/05/2017**

ECO DESCRIPTION  
**ADDED P1 & P2 FOR TSTAT**

COPYRIGHT REGAL BELOIT AMERICA, INC. ALL RIGHTS RESERVED. PROPRIETARY AND CONFIDENTIAL INFORMATION - THIS DOCUMENT IS THE PROPERTY OF REGAL BELOIT AMERICA, INC. ("OWNER") AND CONTAINS OWNER'S PROPRIETARY INFORMATION. ANY PERSON, CORPORATION OR OTHER FIRM RECEIVING IT IS DEEMED, BY RECEIVING IT, TO AGREE THAT IT, AND/OR ANY PART OF IT, SHALL NOT BE DISCLOSED TO ANY PERSON, CORPORATION OR OTHER ENTITY, DUPLICATED, AND/OR USED, EXCEPT AS EXPRESSLY APPROVED IN WRITING IN ADVANCE BY OWNER. THIS DOCUMENT SHALL BE RETURNED TO OWNER UPON REQUEST. IT MAY BE SUBJECT TO CERTAIN RESTRICTIONS UNDER APPLICABLE EXPORT CONTROL LAWS AND REGULATIONS.

TOLERANCES UNLESS OTHERWISE SPECIFIED:  

DEC.	INCH	mm	ANGLE
.X	±0.1	[±2.5]	±0.5°
.XX	±0.01	[±0.25]	
.XXX	±0.005	[±0.127]	
.XXXX	±0.0005	[±0.0127]	

REMOVE BURRS & BREAK SHARP EDGES: .003/.015 [.076/.381] X 45°  
 CORNER FILLETS: R.02 [.51]  
 MACHINED SURFACES: 125/3.2 INCH/mm

mm SHOWN IN [BRACKETS]

DRAWN BY **DBT 12/16/97**

DATE

APPROVED BY **KH 12/17/97**

DATE

REFERENCE

THIRD ANGLE PROJECTION



DESCRIPTION  
**CONN DIAGRAM-EXTERNAL**  
3 PHASE WITH PROTECTOR

MATERIAL **DECAL - 004014 (TSTAT) - 080582** PROCESS/FINISH **STOCK**

SIZE **A** DRAWING NUMBER **00501020** SHEET **1 OF 1**