



A Regal Brand

Catalog # : 116758.00
Product Type: AC MOTOR
Description:

Model: 116758.00
Stock: Y

Quote: Price:

Date: 08/02/2018



A Regal Brand

Catalog # : 116758.00
Product Type: AC MOTOR
Description:

Model: 116758.00
Stock: Y

Engineering Data

| | | | | | |
|-----------|-----|-----------|-----|-----------|---------|
| Volts | 230 | Volts | 460 | Volts | 190/380 |
| F.L. Amps | 4 | F.L. Amps | 2 | F.L. Amps | 4.8/2.4 |
| S. F Amps | 5 | S. F Amps | 2.5 | S. F Amps | 5.6/2.8 |

| | | | | | |
|-------------|-------------------|---------------|------------|-------------|---------|
| RPM | 3600 | Hertz | 60/50 | TYPE | TF |
| HP | 1 1/2 | Duty | CONTINUOUS | Phase | 3 |
| KW | 1.12 | Serv. Factor | 1.25 | Code | M |
| Frame | 56 | Design | B | Therm.Prot. | 9700K46 |
| Max Amb | 40 | Protection | NOT | PF | 82 |
| Insul Class | F | Eff 75% | | Bearing OPE | 6203 |
| Eff 100% | 84 | CSA | Yes | Bearing PE | 6203 |
| UL | Y-(LEESON UL REC) | CE | Yes | Speed Range | NONE |
| CC Number | EXEMPT | Inverter Type | | | |

| | | | | | |
|--------------|------------------|-----------------|-----------------------------|-------------|------------|
| Motor Wt. | 33 LB | Enclosure | TEFC | Lubrication | POLYREX EM |
| Nameplate | 993500 | Mounting | RIGID | Rotation | REV |
| Assembly | NONE | Shaft Dia. | 5/8 IN | Ext. Diag. | 005010.20 |
| Cust Part No | | Outline | 029070-650 | Ext. Diag2 | |
| Packaging | B | Outline Dash No | | Winding | T632173 |
| Carton Label | Leeson Wattsaver | | | GROUP : | 3 |
| Iris | | Paint | GREEN - LEESON WATTSAYER | Test Card | 01 |

| | | | | |
|-------------|--|-----------|--|-------------------------|
| Form Factor | | RMS Amps | | Const TorqueSpeed Range |
| Torque | | Peak | | |
| AB Code | | Peak@DegC | | |
| Resistance | | | | |
| Connection | | | | |

Rework Status Rework TYPE

Hazardous Loc
Explosion Proof
Class
Class

NONE

Temp Op Code
GROUP
GROUP

Brake Motors
FORCE
VDC
ADC

Brake Coil OHMs @25 C

| | | | | | | | |
|----------------|-----------------|--|----------------------------|--|------------------------|--|-------------------|
| Performance | | | | | | | |
| Torque UOM | LB-FT | | Inertia (WK ²) | | .06 LB-FT ² | | |
| Torque | 2.25(Full Load) | | 11.2(Break Down) | | 8.5(Pull Up) | | 8.5(Locked Rotor) |
| CURRENT (amps) | 2(Full Load) | | 0(Break Down) | | 0(Pull Up) | | 21(Locked Rotor) |
| Efficiency (%) | 0(Full Load) | | 82.2(75% Load) | | 79.1(50% Load) | | 67.8(25% Load) |
| PowerFactor | (Full Load) | | 76.3(75% Load) | | 64.7(50% Load) | | 46.2(25% Load) |

Load Curve Data @60/50 HzVolts,1 1/2Horsepower

| Load | Amps | KW | RPM | Torque | Eff | PF | Rise By Resis | Frame Rise |
|------|------|-------|------|--------|------|------|---------------|------------|
| 0.0 | 1.0 | 0.1 | 3599 | 0.0 | 0.0 | 12.6 | 0.0 | - |
| 0.25 | 1.14 | 0.42 | 3578 | 0.56 | 67.8 | 46.2 | 0.0 | - |
| 0.5 | 1.39 | 0.716 | 3559 | 1.12 | 79.1 | 64.7 | 0.0 | - |
| 0.75 | 1.69 | 1.028 | 3540 | 1.68 | 82.2 | 76.3 | 0.0 | - |
| 1.0 | 2.03 | 1.33 | 3521 | 2.25 | 84.6 | 82.2 | 46.0 | - |
| 1.25 | 2.44 | 1.644 | 3501 | 2.8 | 84.7 | 84.6 | 0.0 | - |
| 1.5 | 2.87 | 1.984 | 3478 | 3.38 | 84.2 | 86.8 | 0.0 | - |

SOURCE: CALCULATED GROUP: 3

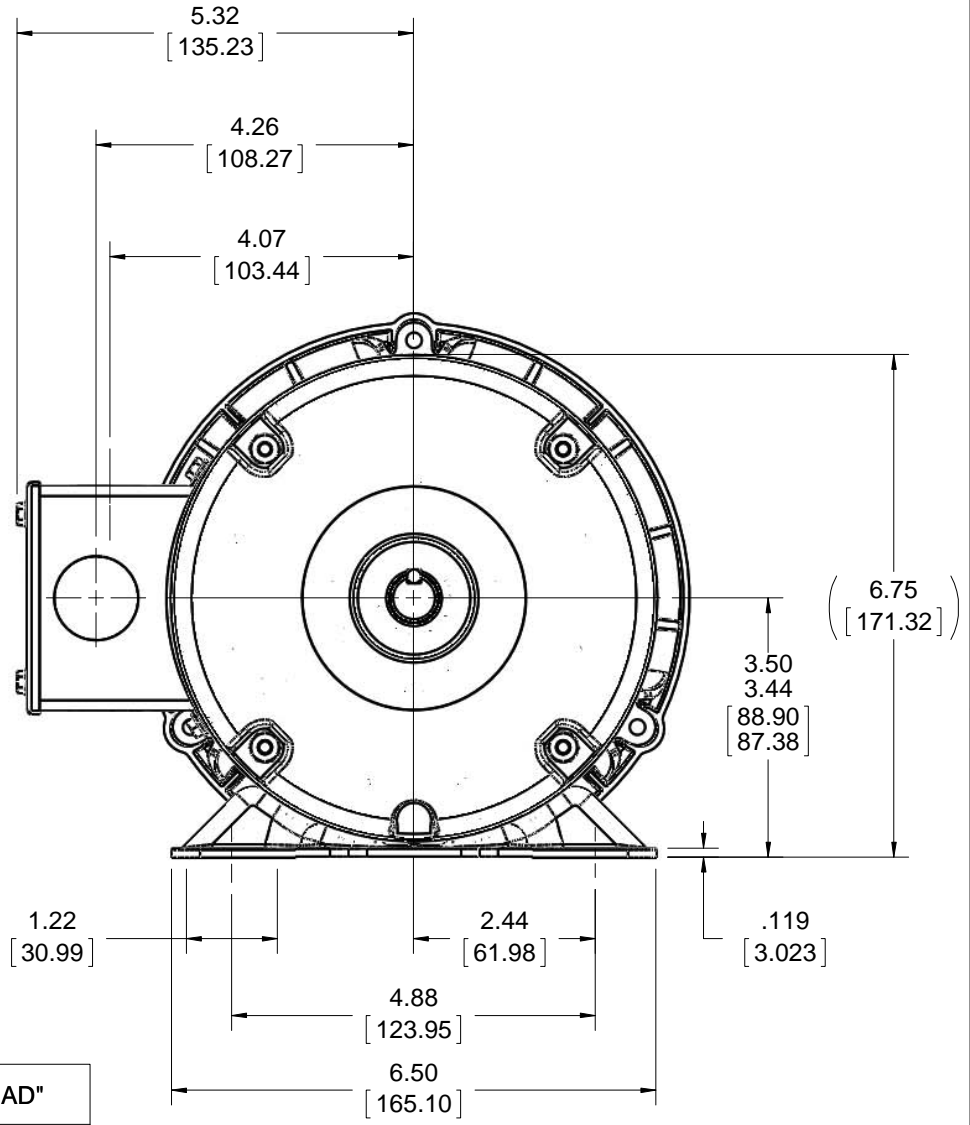
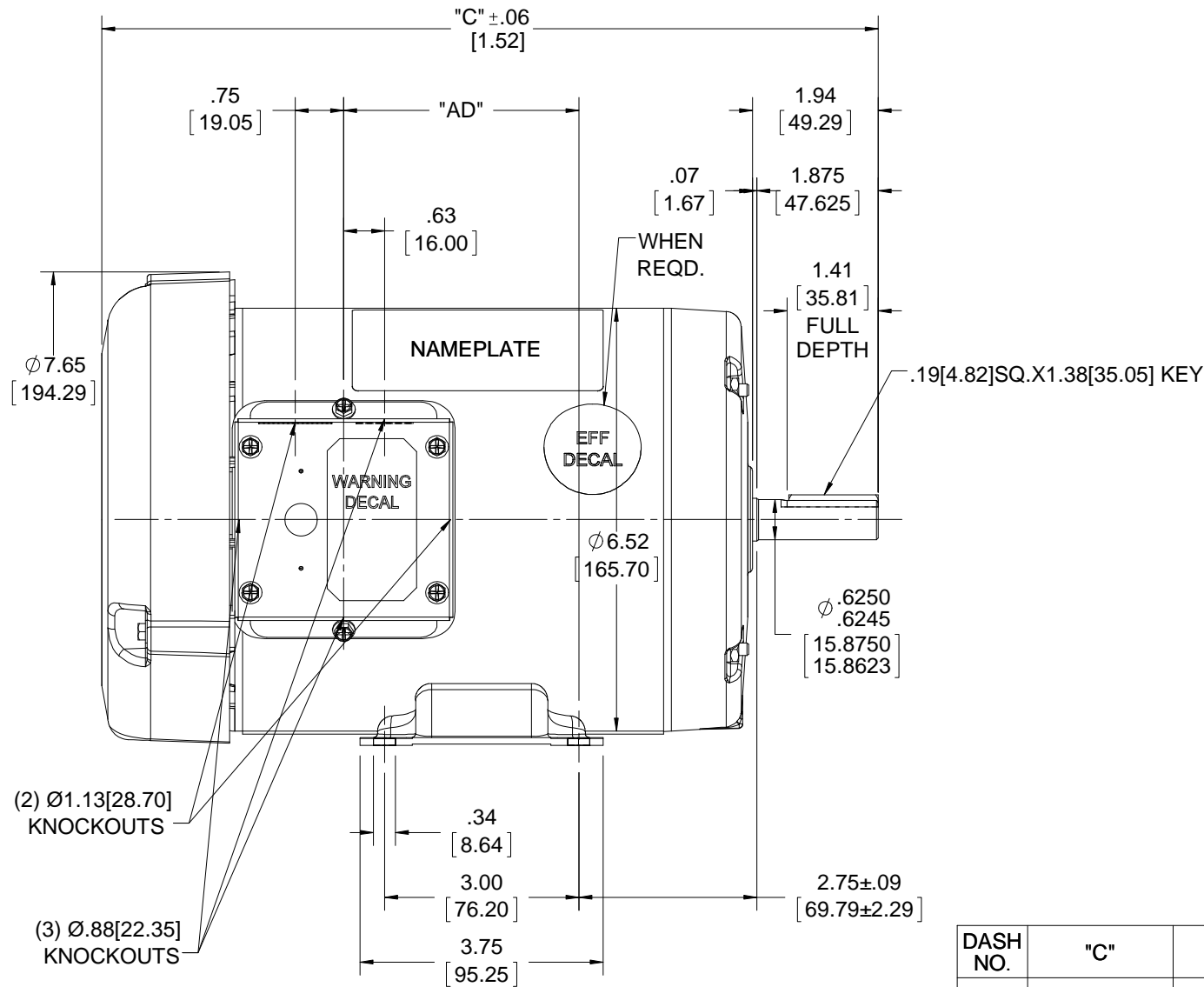
Load Curve Data @60/50HzVolts,1 1/2Horsepower

| Load | Amps | KW | RPM | Torque | Eff | PF | Rise By Resis | Frame Rise |
|------|------|----|-----|--------|-----|----|---------------|------------|
|------|------|----|-----|--------|-----|----|---------------|------------|

Load Curve Data Not Available

Quote: Price:

Date: 08/02/2018



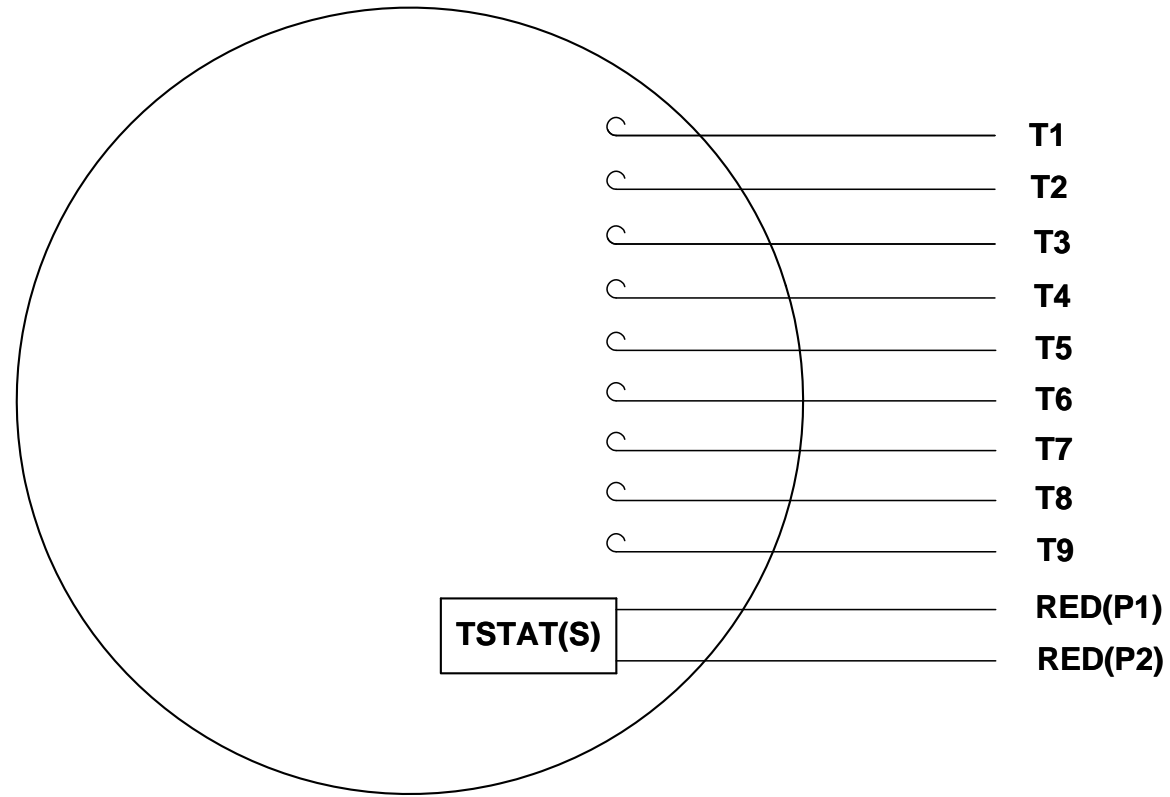
| DASH NO. | "C" | "AD" |
|----------|---------------|-------------|
| 650 | 11.98[304.29] | 3.63[92.20] |
| 675 | 12.23[310.64] | 3.88[98.55] |

NOTES:
1) GASKETS THROUGHOUT

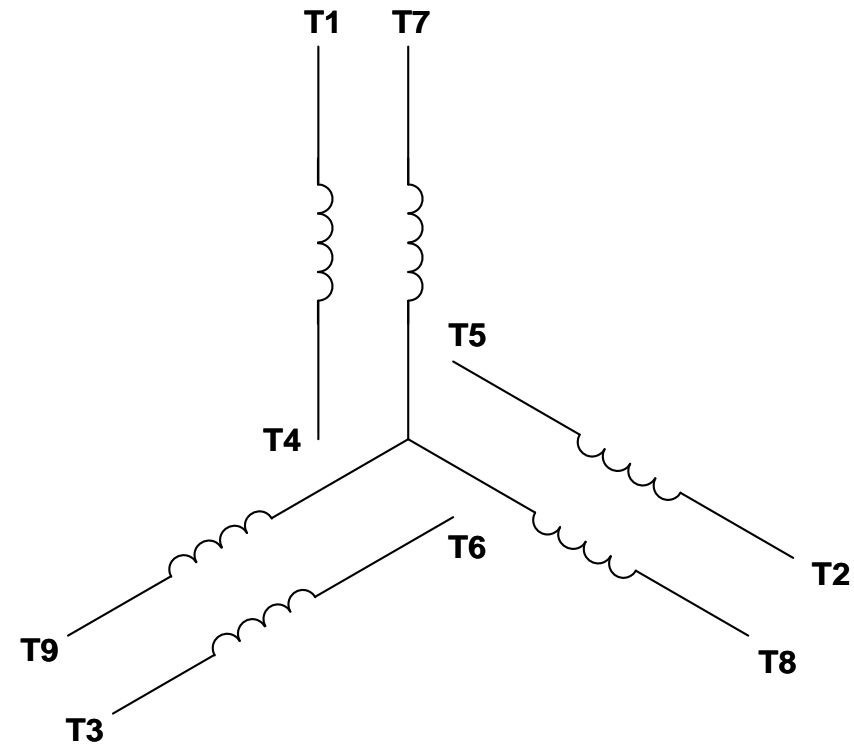
| | | | | | | | |
|---|--|-------------|------|--|-----------------------|-----------------------------------|-----------------|
| DRAWING REVISION A | | REVISION BY | DATE | TOLERANCES UNLESS OTHERWISE SPECIFIED: DEC. INCH mm ANGLE .X ±0.1 [±2.5] ±0.5° .XX ±0.03 [±0.76] .XXX ±0.005 [±0.127] .XXXX ±0.0005 [±0.0127] | DRAWN BY A. KEETHA | REGAL™ Regal Beloit America, Inc. | |
| ECO-0140840 | | APPROVED BY | DATE | | DATE 12/27/2017 | DESCRIPTION OUTLINE | |
| ECO DESCRIPTION OUTLINE CONVERSION PROJECT | | | | REMOVE BURRS & BREAK SHARP EDGES: .003/.015 [0.076/.381] X 45° CORNER FILLETS: R.02 [0.51] MACHINED SURFACES: 125 INCH 3.2 mm SHOWN IN [BRACKETS] | APPROVED BY PK | 56 FRAME TEFC - RIGID | |
| <small>COPYRIGHT REGAL BELOIT AMERICA, INC. ALL RIGHTS RESERVED. PROPRIETARY AND CONFIDENTIAL INFORMATION - THIS DOCUMENT IS THE PROPERTY OF REGAL BELOIT AMERICA, INC. (OWNER) AND CONTAINS OWNER'S PROPRIETARY INFORMATION. ANY PERSON, CORPORATION OR OTHER FIRM RECEIVING IT IS DEEMED, BY RECEIVING IT, TO AGREE THAT IT, AND/OR ANY PART OF IT, SHALL NOT BE DISCLOSED TO ANY PERSON, CORPORATION OR OTHER ENTITY, DUPLICATED, AND/OR USED, EXCEPT AS EXPRESSLY APPROVED IN WRITING IN ADVANCE BY OWNER. THIS DOCUMENT SHALL BE RETURNED TO OWNER UPON REQUEST. IT MAY BE SUBJECT TO CERTAIN RESTRICTIONS UNDER APPLICABLE EXPORT CONTROL LAWS AND REGULATIONS.</small> | | | | DATE 03/08/2018 | MATERIAL | PROCESS/FINISH | |
| | | | | REFERENCE 028781 | SIZE B | DRAWING NUMBER 029070 | SHEET 1 OF 1 |

VIEW FROM OUTSIDE OF MOTOR AT SWITCH END.

Uncontrolled Copy



LINE LEADS



| VOLTAGE | L1 | L2 | L3 | JOIN & INSULATE |
|---------|-------|-------|-------|-------------------------------|
| HIGH | T1 | T2 | T3 | (T4,T7) (T5,T8) (T6,T9) |
| LOW | T1,T7 | T2,T8 | T3,T9 | T4,T5,T6 |

DRAWING REVISION G REVISION BY MVG DATE 04/05/2017

ECO ECO-0121253 APPROVED BY SM DATE 04/05/2017

ECO DESCRIPTION
ADDED P1 & P2 FOR TSTAT

COPYRIGHT REGAL BELOIT AMERICA, INC. ALL RIGHTS RESERVED. PROPRIETARY AND CONFIDENTIAL INFORMATION - THIS DOCUMENT IS THE PROPERTY OF REGAL BELOIT AMERICA, INC. ("OWNER") AND CONTAINS OWNER'S PROPRIETARY INFORMATION. ANY PERSON, CORPORATION OR OTHER FIRM RECEIVING IT IS DEEMED, BY RECEIVING IT, TO AGREE THAT IT, AND/OR ANY PART OF IT, SHALL NOT BE DISCLOSED TO ANY PERSON, CORPORATION OR OTHER ENTITY, DUPLICATED, AND/OR USED, EXCEPT AS EXPRESSLY APPROVED IN WRITING IN ADVANCE BY OWNER. THIS DOCUMENT SHALL BE RETURNED TO OWNER UPON REQUEST. IT MAY BE SUBJECT TO CERTAIN RESTRICTIONS UNDER APPLICABLE EXPORT CONTROL LAWS AND REGULATIONS.

TOLERANCES UNLESS OTHERWISE SPECIFIED:

| DEC. | INCH | mm | ANGLE |
|-------|---------|-----------|-------|
| .X | ±0.1 | [±2.5] | ±0.5° |
| .XX | ±0.01 | [±0.25] | |
| .XXX | ±0.005 | [±0.127] | |
| .XXXX | ±0.0005 | [±0.0127] | |

REMOVE BURRS & BREAK SHARP EDGES: .003/.015 [.076/.381] X 45°
 CORNER FILLETS: R.02 [.51]
 MACHINED SURFACES: 125/3.2 INCH/mm

mm SHOWN IN [BRACKETS]

DRAWN BY DBT 12/16/97

DATE

APPROVED BY KH 12/17/97

DATE

REFERENCE

THIRD ANGLE PROJECTION

REGAL™ Regal Beloit America, Inc.

DESCRIPTION
CONN DIAGRAM-EXTERNAL
3 PHASE WITH PROTECTOR

MATERIAL DECAL - 004014 (TSTAT) - 080582 PROCESS/FINISH STOCK

SIZE A DRAWING NUMBER 00501020 SHEET 1 OF 1