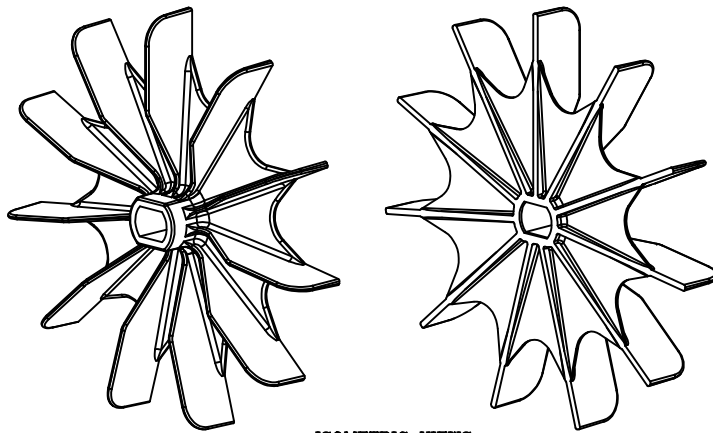
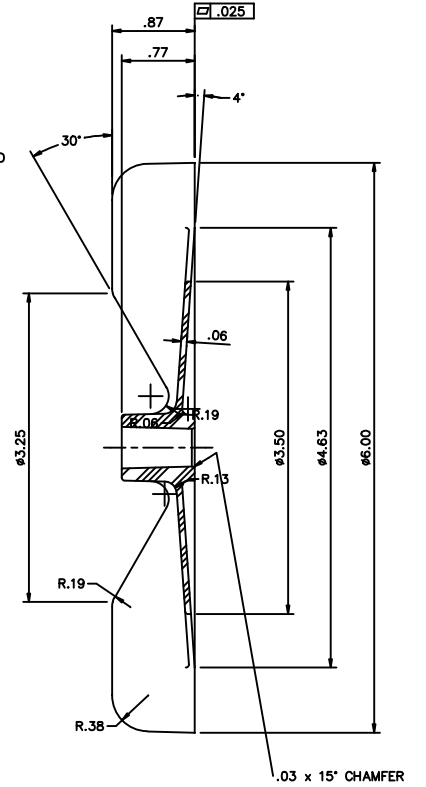
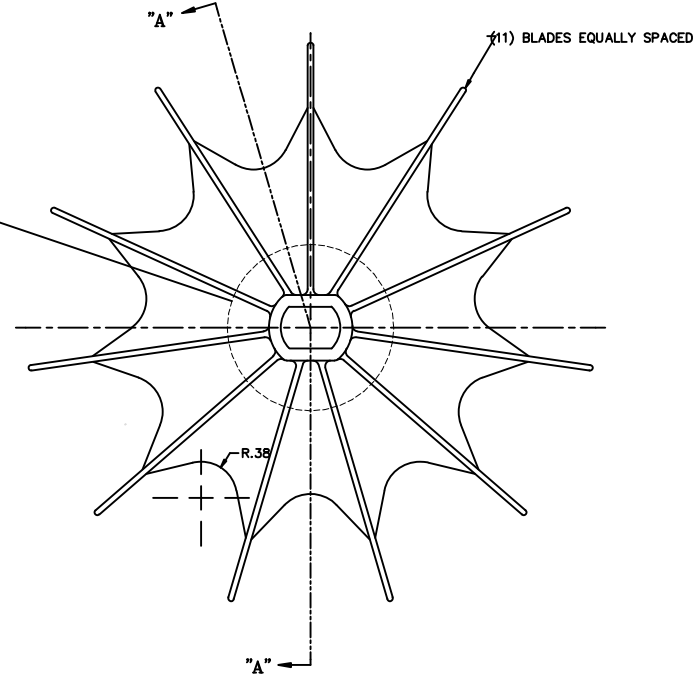
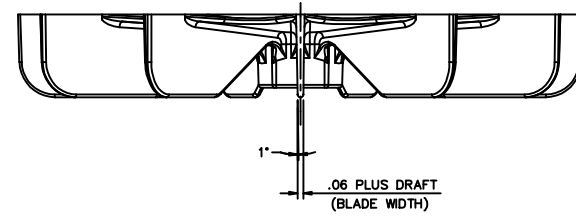
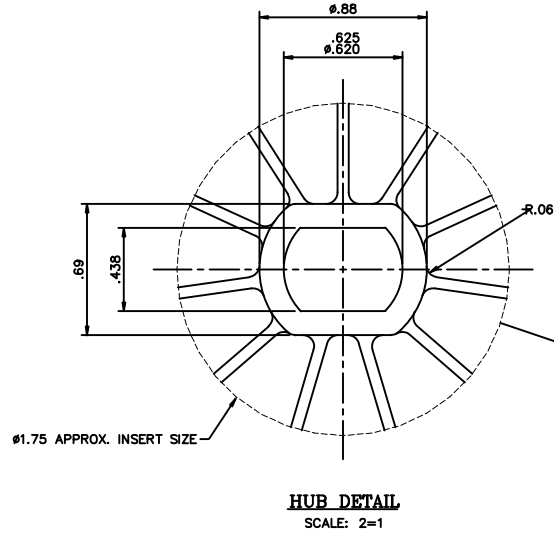


APPLICATION

COLOR

STANDARD TEFC MOTORS ONLY
(NOT SUITABLE FOR EXPLOSION PROOF MOTORS)

WHITE



ISOMETRIC VIEWS
SCALE: .75=1

NOTES:

- 1) ALL RADII TO BE .03 UNLESS OTHERWISE SPECIFIED.
- 2) APPROXIMATE VOLUME = 2.377 CU. IN. (.119 LBS.)
- 3) MOLDING REGRIND TO VIRGIN RESIN RATIO NOT TO EXCEED 5%
- 4) SAME AS 003565-04 EXCEPT MATERIAL AND APPLICATION
- 5) ALTERNATE MATERIALS:
ZYTEL 71G-33L 33% GLASS FILLED NYLON (WHITE)
GE ESPREE RYY33-4110 (GE POLYMERLAND-POLYAMIDE 66) (WHITE)
ENTECH N1033HL NAT
- 6) AFTER MOLDING, PACKAGE PARTS IN SEALED PLASTIC BAGS WITH WATER 2% BY WEIGHT.

06	ADDED ENTECH AS ALT MATERIAL IS 10-3263	MJK 07-30-10	TOLERANCES UNLESS SPECIFIED	DRAWN PG 6/9/02
05	ADDED NOTE AS PER ECR 85579.	GRB 05/30/08	RVD DEC. INCHES	CHK
04	CORRECTED GE ESPREE MAT. P.N. FOR WHITE COLOR	GWS 6/9/06	PG LX ±.1	APPD
03	ADDED GE ESPREE RYY33-4110 MATERIAL NOW IN USE	GWS 3/23/06	PG LXX ±.01	SCALE 1=1
02	ADDED APPLICATION/COLOR CHART & NOTE 4	GWS 2/7/03	PG LXXX ±.005	REF 003911-01
01	REMOVED DSM AS ALTERNATE MATERIAL, ADDED NOTE 3	PG 8/28/02	LXXXX ±.0005	FMF STANDARD
NO.	REVISION	BY & DATE	CHK ANG ±1/2"	PREV
THIS DRAWING IN DESIGN AND DETAIL IS OUR PROPERTY AND MUST NOT BE USED EXCEPT IN CONNECTION WITH OUR WORK. ALL RIGHTS OF DESIGN AND INVENTION ARE RESERVED. THIS IS AN ELECTRONICALLY GENERATED DOCUMENT - DO NOT SCALE THIS PRINT.			RFP	REV.
			CAD FILE 00356501	SIZE DRAWING NO.
			C	003565-01