

BALDOR® • RELIANCE

Product Information Packet

VM3615T

5HP,1725RPM,3PH,60HZ,184TC,3634M,TEFC,F1

Product Detail							
Revision:	T	Status:	PRD/A	Change #:		Proprietary:	No
Type:	AC	Prod Type:	3634M	Elec. Spec:	36WGW415	CD Diagram:	CD0005
Enclosure	TEFC	Mfg Plant:		Mech Spec:	36A003	Layout:	36LYA003
Frame:	184TC	Mounting:	F1	Poles:	04	Created Date:	
Base:	N	Rotation:	R	Insulation:	F	Eff. Date:	05-05-2009
Leads:	9#16	Literature:		Elec. Diagram:		Replaced By:	

Nameplate NP1256L

CAT.NO.	VM3615T						
SPEC.	36A03W415						
HP	5						
VOLTS	208-230/460						
AMP	15-13.2/6.6						
RPM	1725						
FRAME	184TC	HZ	60	PH	3		
SER.F.	1.15	CODE	J	DES	B	CLASS	F
NEMA-NOM-EFF	85.5	PF	80				
RATING	40C AMB-CONT						
CC		USABLE AT 208V	15				
DE	6206	ODE	6205				
ENCL	TEFC	SN					

Parts List		
Product ID	Description	Quantity
SA034015	SA 36A03W415	1.000
RA030043	RA 36A03W415	1.000
36CB3004	36 CB CASTING W/1.09 DIA LEAD HOLE @ 6:0	1.000
36GS1000SP	GASKET-CONDUIT BOX, .06 THICK #SV-330 LE	1.000
51XB1016A08	10-16X 1/2HXWSSLD SERTYB	2.000
11XW1032G06	10-32 X .38, TAPTITE II, HEX WSHR SLTD U	1.000
HW3001B01	BRASS CUP WASHER, FOR #8 SCREW	1.000
36EP3104A01	FREP MACH W/GRSR, RAISED FH PADS	1.000
HW4500A01	1641B(ALEMITE)400 UNIV, GREASE FITT	1.000
HW5100A05		1.000
36EP3301A23	PU ENDPLATE, ENCL. 182-4TC 206 BRG. W/GR	1.000
HW4500A01	1641B(ALEMITE)400 UNIV, GREASE FITT	1.000
10XN2520A28	1/4-20X 1 3/4 HEX HD	4.000
HW1001A25	LOCKWASHER 1/4, ZINC PLT .493 OD, .255 I	4.000
51XB1214A16	12-14X1.00 HXWSSLD SERTYB	1.000
36FH4009A102SP	IEC FH GREASER W/AUTOPHERETIC PRIMER	1.000
51XW1032A06	10-32 X .38, TAPTITE II, HEX WSHR SLTD S	3.000
36CB4516	36 LIPPED CB LID	1.000
37GS1001SP	GASKET, CONDUIT BOX LID, .06 THICK LEXID	1.000
51XW0832A07	8-32 X .44, TAPTITE II, HEX WSHR SLTD SE	4.000
HW2501E16	KEY, 1/4 SQ X 1.750	1.000
HA7000A02	KEY RETAINER RING, 1 1/8 DIA, 1 3/8 DIA	1.000
85XU0407S04	4X1/4 U DRIVE PIN STAINLESS	2.000
MJ1000A02	MOBIL POLYREX EM/35LB	0.050

Parts List (continued)		
Product ID	Description	Quantity
36FN3000A01SP	EXFN, PLASTIC, 7.00 OD, .912 ID	1.000
MG1000G27	PAINT- S9282E CHARCOAL GREY	0.022
HA3101A25	THRUBOLT 1/4-20 X 11.000 OHIO ROD	4.000
LB1125C01	STD (STOCK) CARTON LABEL BALDOR WITH FLA	1.000
LC0005E01	CONN.DIA./WARNING LABEL (LC0005/LB1119)	1.000
NP1256L	ALUM, UL CSA CC, W/O THERMAL, LASER	1.000
36PA1000	PACK GROUP W/LB5001	1.000
PK3082	STYROFOAM CRADLE	1.000

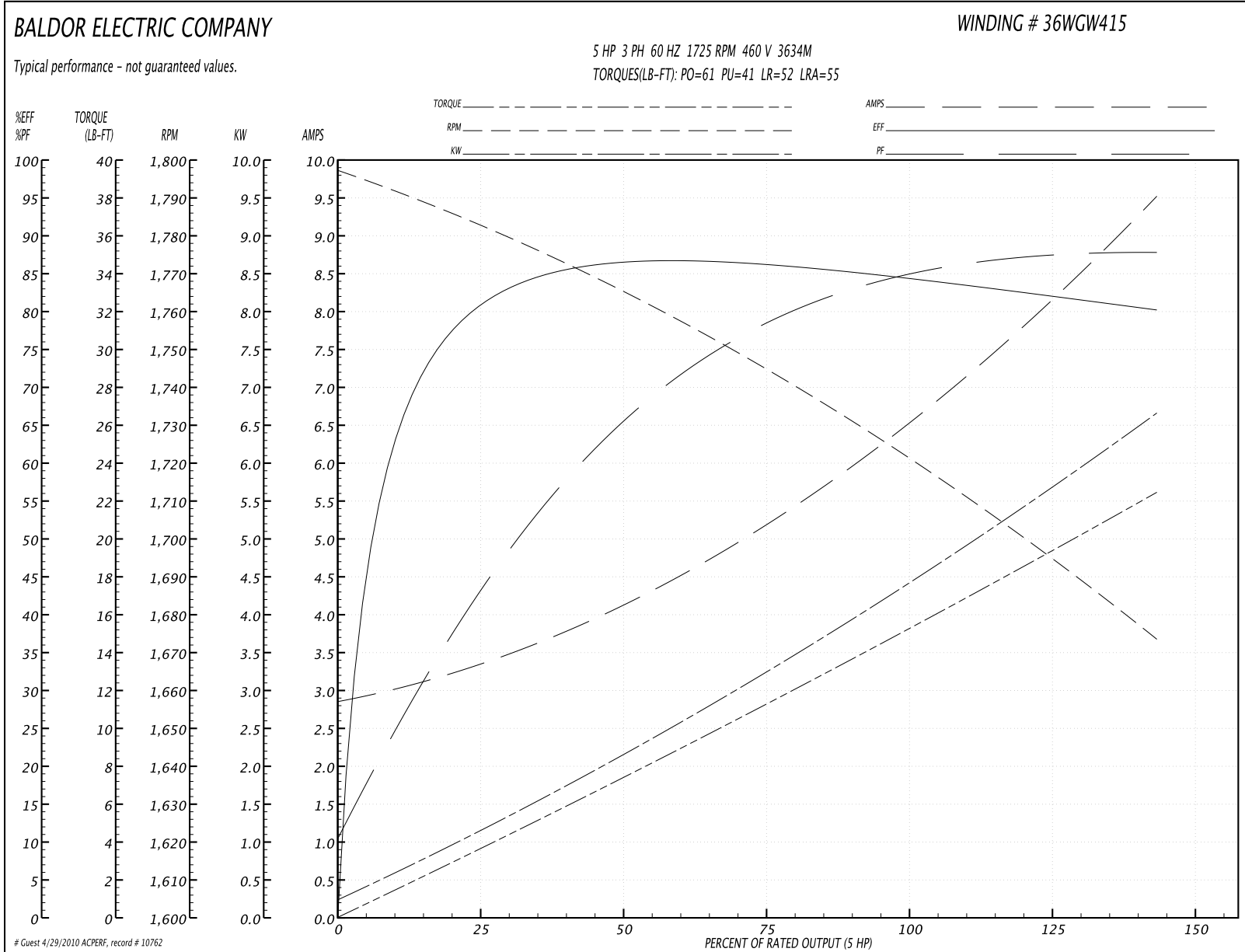
Performance Data at 460V, 60Hz, 5.0HP (Typical performance - Not guaranteed values)
General Characteristics

Full Load Torque:	15.0 LB-FT	Start Configuration:	DOL
No-Load Current:	2.9 Amps	Break-Down Torque:	61.0 LB-FT
Line-line Res. @ 25°C.:	2.97 Ohms A Ph / 0.0 Ohms B Ph	Pull-Up Torque:	41.0 LB-FT
Temp. Rise @ Rated Load:	92°C	Locked-Rotor Torque:	52.0 LB-FT
Temp. Rise @ S.F. Load:	110°C	Starting Current:	55.0 Amps

Load Characteristics

% of Rated Load:	25	50	75	100	125	150	S.F.
Power Factor:	47.0	69.0	80.0	86.0	88.0	90.0	87.0
Efficiency:	81.1	85.9	86.1	84.7	82.7	80.0	83.5
Speed:	1782.0	1764.0	1745.0	1723.0	1701.0	1672.0	1710.0
Line Amperes:	3.3	4.1	5.2	6.5	7.9	9.5	7.3

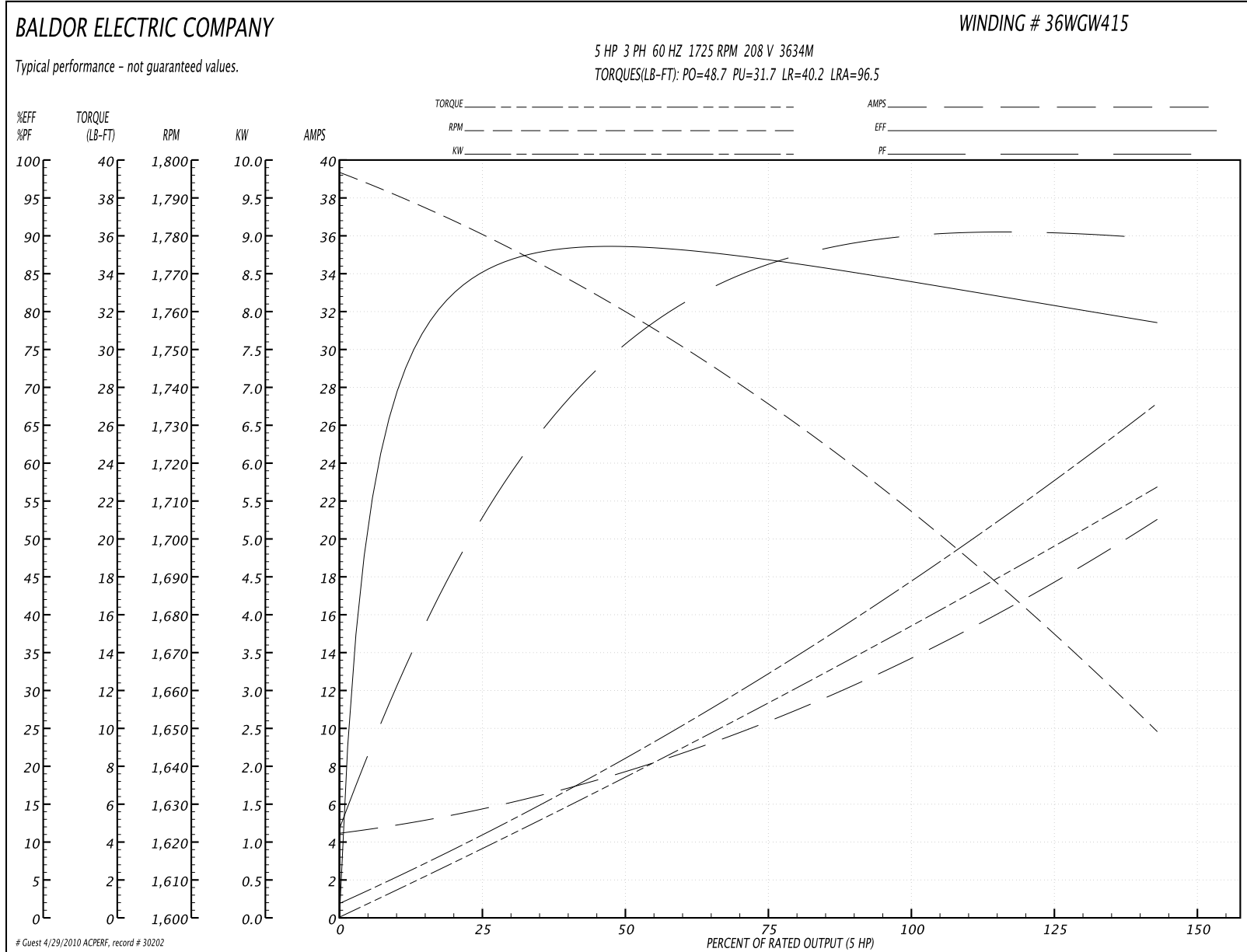
Performance Graph at 460V, 60Hz, 5.0HP (Typical performance - Not guaranteed values)

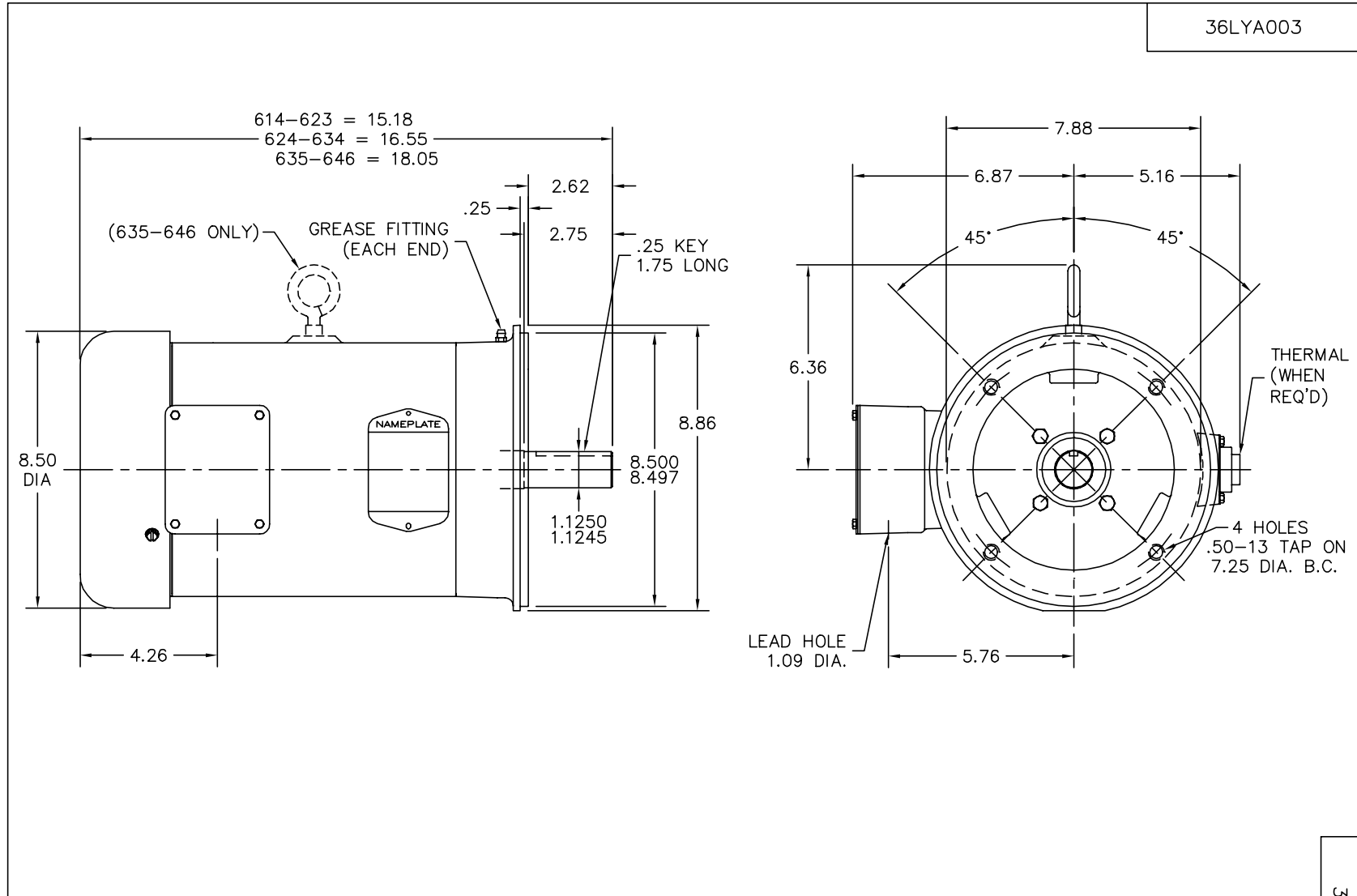


Performance Data at 208V, 60Hz, 5.0HP (Typical performance - Not guaranteed values)

General Characteristics							
Full Load Torque:	15.1 LB-FT			Start Configuration:	DOL		
No-Load Current:	4.58 Amps			Break-Down Torque:	48.7 LB-FT		
Line-line Res. @ 25°C.:	0.738 Ohms A Ph / 0.0 Ohms B Ph			Pull-Up Torque:	31.7 LB-FT		
Temp. Rise @ Rated Load:	93°C			Locked-Rotor Torque:	40.2 LB-FT		
Temp. Rise @ S.F. Load:	116°C			Starting Current:	96.5 Amps		
Load Characteristics							
% of Rated Load:	25	50	75	100	125	150	S.F.
Power Factor:	55.0	77.0	86.0	89.0	90.0	90.0	90.0
Efficiency:	85.1	87.7	86.7	84.5	81.6	78.3	82.8
Speed:	1779.0	1758.0	1736.0	1710.0	1683.0	1647.0	1694.0
Line Amperes:	5.61	7.68	10.4	13.6	17.0	21.0	15.6

Performance Graph at 208V, 60Hz, 5.0HP (Typical performance - Not guaranteed values)





CUSTOMER IS RESPONSIBLE FOR DETERMINING THAT MOTOR PERFORMANCE IS SUITABLE IN THE APPLICATION.

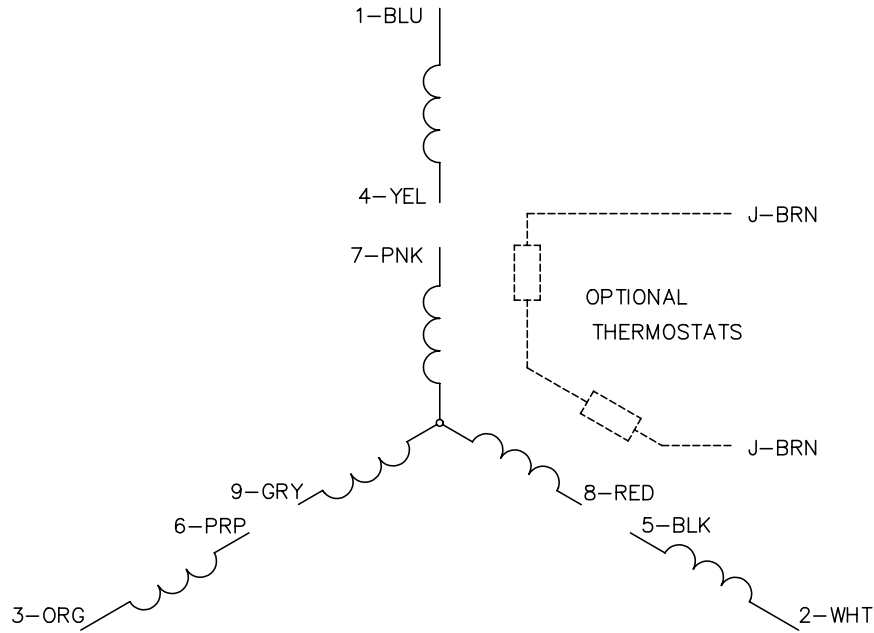
REV. DESC: FREEZE LINES SHOWING THROUGH CAPACITOR/KO BOX		
REV. LTR: L	VERSION: 04	TDR: 000000384004
36LYA003	FILE: \AAA\00003\207	REVISED: 13:08:34 12/22/2005
	MTL: -	BY: ENCHRC0

BALDOR ELECTRIC Co.

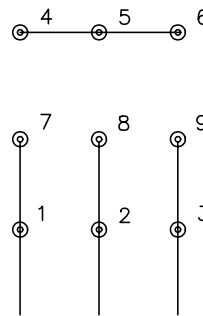
STD VERT FACE MTD 182-4TC TEFC 36M

36LYA003

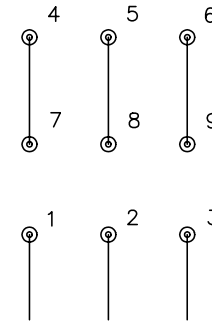
CD0005



LOW VOLTAGE
(2Y)



HIGH VOLTAGE
(1Y)



NOTES:

1. INTERCHANGE ANY TWO LINE LEADS TO REVERSE ROTATION.
2. OPTIONAL THERMOSTATS ARE PROVIDED WHEN SPECIFIED.
3. ACTUAL NUMBER OF INTERNAL PARALLEL CIRCUITS MAY BE A MULTIPLE OF THOSE SHOWN ABOVE.
4. LEAD COLORS ARE OPTIONAL. LEADS MUST ALWAYS BE NUMBERED AS SHOWN.

REV. DESC: REVISE TO SHOW OPTIONAL COLORS			
REV. LTR: E	BY: JLP	REVISED: 01/19/99 10:15	TDR: 0171435
900000		FILE: AAA00005140	MDL: -
		MTL: -	

BALDOR ELECTRIC Co.

3PH, DV, 9 LEADS

CD0005