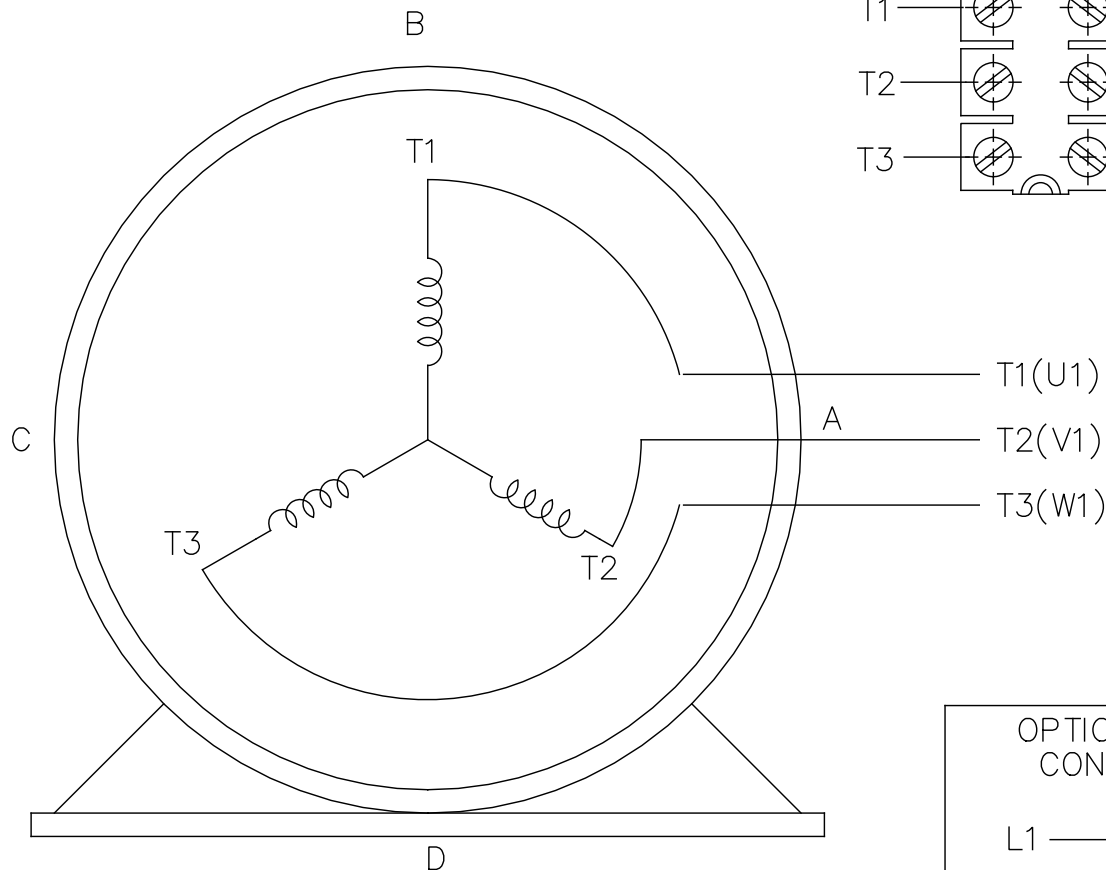
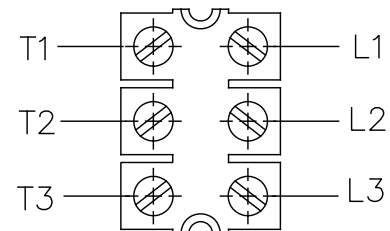


THREE PHASE – SINGLE VOLTAGE  
MOTOR – CONDUIT BOX @ 'A'

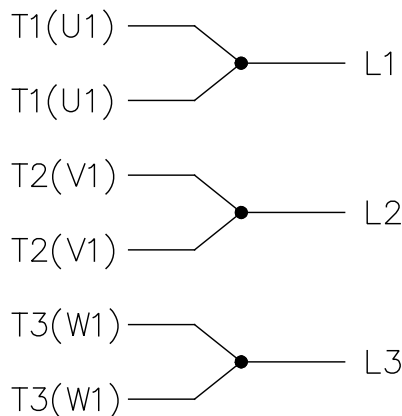
TERMINAL BLOCK WHEN SPECIFIED

TO REVERSE ROTATION:  
INTERCHANGE ANY TWO LINE  
LEAD CONNECTIONS



VIEW OF TERMINAL END

IF MOTOR HAS  
6 LEADS



A-9806 DECAL

OPTIONAL CORD  
CONNECTION

- L1 \_\_\_\_\_ WHITE
- L2 \_\_\_\_\_ RED
- L3 \_\_\_\_\_ BLACK

NO.	REVISION	BY & DATE	CHK	ANG	TOLERANCES UNLESS SPECIFIED	FINISH	DRAWN DA	REGAL™ Regal Beloit America, Inc.			
								DEC.	INCHES	SCALE	CHK
16	ADDED TERMINAL BLOCK	UD 10-23-2013	BV	.X	±.1		03-26-1993				
15	ADDED IEC REFERENCE CODES MU60881	TAT 09-22-2004	ML	.XX	±.02	TITLE CONNECTION DIAGRAM	03-26-1993				
14	ADDED CORD VIEW CN 29200-3103	TJB 07-28-2003	ML	.XXX	±.005	SINGLE VOLT - 3Ø MOTOR	03-26-1993				
13	REDRAWN - NO CHANGE	DA 03-26-1993		.XXXX	±.0005	MAT'L.					
					±7'30"						
			RFP			CAD FILE ee7300	SIZE	DRAWING NO.	PAGE	OF	REV.
			DIST				A	EE7300			16

THIS DRAWING IN DESIGN AND DETAIL IS OUR PROPERTY AND MUST NOT BE USED EXCEPT  
IN CONNECTION WITH OUR WORK ALL RIGHTS OF DESIGN AND INVENTION ARE RESERVED  
THIS IS AN ELECTRONICALLY GENERATED DOCUMENT - DO NOT SCALE THIS PRINT