

# **BALDOR® • RELIANCE**

**Product Information Packet**

**ELECTRIC MOTOR WHOLESAL.COM**

**EFM2334T**

**20HP,1765RPM,3PH,60HZ,256T,0948M,TEFC,F2**

Part Detail									
Revision:	Y	Status:	PRD/A	Change #:		Proprietary:	No		
Type:	AC	Prod. Type:	0948M	Elec. Spec:	09WGX715	CD Diagram:			
Enclosure:	TEFC	Mfg Plant:		Mech. Spec:	09C106	Layout:			
Frame:	256T	Mounting:	F2	Poles:	04	Created Date:			
Base:	RG	Rotation:	R	Insulation:	F	Eff. Date:	09-09-2010		
Leads:	9#12	Literature:		Elec. Diagram:		Replaced By:			
Nameplate NP1259L									
CAT.NO.	EFM2334T								
SPEC.	09C106X715G1								
HP	20								
VOLTS	230/460								
AMP	48/24								
RPM	1765								
FRAME	256T	HZ	60	PH	3				
SER.F.	1.15	CODE	H	DES	B	CL	F		
NEMA-NOM-EFF	93	PF	84						
RATING	40C AMB-CONT								
CC	010A	USABLE AT 208V	50.6						
DE	6309	ODE	6208						
ENCL	TEFC	SN							

Parts List		
Part Number	Description	Quantity
SA039447	SA 09C106X715G1	1.000 EA
RA035404	RA 09C106X715G1	1.000 EA
S/P107-000-005	SUPER-E PROC'S(254/6 FR.) ZK PLANT - POL	1.000 EA
HW1002A63	WASHER, 5/8 HI-COLLAR SPRLCKWASHER	1.000 EA
09CB3002SP	CB W/1.38 LEAD HOLE FOR 37, 39, 307 & 30	1.000 EA
09GS1000SP	GASKET-CONDUIT BOX, 1/16 THICK LEXIDE	1.000 EA
10XN2520K12	1/4-20 X.75 GRD 5	2.000 EA
HW1001A25	LOCKWASHER 1/4, ZINC PLT .493 OD, .255 I	2.000 EA
WD1000B17	KPA-8C BURNDY TERMINAL	1.000 EA
11XW1032G06	10-32 X .38, TAPTITE II, HEX WSHR SLTD U	1.000 EA
09EP1100A14SP	ENDPLATE, MACH	1.000 EA
XY3816A12	3/8-16 FINISHED NUT	4.000 EA
HW1001A38	LOCKWASHER 3/8, ZINC PLT .688 OD, .382 I	4.000 EA
HW5100A08	W3118-035 WVY WSHR (WB)	1.000 EA
10XN2520K28	1/4-20 X 1.75" HX HD SCRWGRADE 5, ZINC P	2.000 EA
HW1001A25	LOCKWASHER 1/4, ZINC PLT .493 OD, .255 I	2.000 EA
09EP1101A11SP	PU ENDPLATE, MACH	1.000 EA
HW4600B44SP	V-RING SLINGER 1.500 X 2.290 X 0.280	1.000 EA
10XN2520K36	1/4-20 X 2.25" HX HD SCRWGRADE 5, ZINC P	4.000 EA
HW1001A25	LOCKWASHER 1/4, ZINC PLT .493 OD, .255 I	4.000 EA
HA3113A02	THRUBOLT 3/8-16X16.625	4.000 EA
HW1001A38	LOCKWASHER 3/8, ZINC PLT .688 OD, .382 I	4.000 EA
09FH4000SP	FAN COVER, STAMPED	1.000 EA
HA2081A05	SPACER TUBE, 309 FAN HSG, 2.00 LONG	4.000 EA

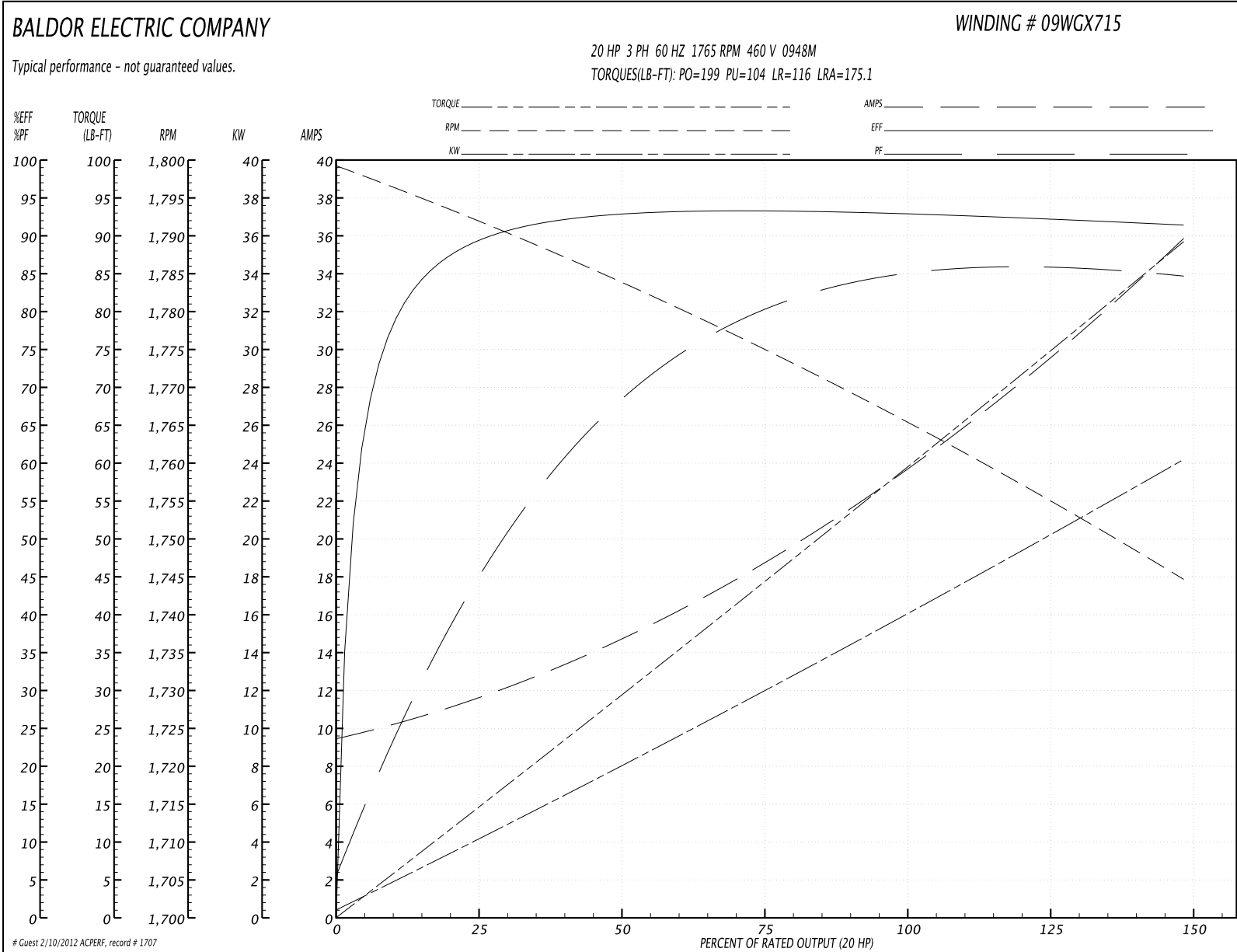
Parts List (continued)		
Part Number	Description	Quantity
XY3816A12	3/8-16 FINISHED NUT	4.000 EA
HW1001A38	LOCKWASHER 3/8, ZINC PLT .688 OD, .382 I	4.000 EA
09CB3501SP	CONDUIT BOX LID FOR 09CB3001 & 09CB3002	1.000 EA
09GS1013SP	09 GS FOR 09CB3501 LID - LEXIDE	1.000 EA
51XW2520A12	.25-20 X .75, TAPTITE II, HEX WSHR SLTD	2.000 EA
HW2501G25	KEY, 3/8 SQ X 2.875	1.000 EA
LB1115	LABEL,LIFTING DEVICE	1.000 EA
LB5040	INSTRUCTION TAG, AC & DC	1.000 EA
HA4051A00	PLASTIC CAP FOR GREASE FITTING	1.000 EA
HW4500A05	1669B ALEM/UNIV860 GR FTG X	1.000 EA
HW4500A17	317400 ALEMITE GREASE RELIEF	1.000 EA
HA4001A01SP	DRAIN PLUG, PLASTIC (MICRO PLAS)	1.000 EA
MJ1000A75	GREASE, POLYREX EM EXXON	0.080 LB
HA4051A00	PLASTIC CAP FOR GREASE FITTING	1.000 EA
HW4500A03	GREASE FITTING, .125 NPT 1610(ALEMITE) 8	1.000 EA
HW4500A17	317400 ALEMITE GREASE RELIEF	1.000 EA
HA4001A01SP	DRAIN PLUG, PLASTIC (MICRO PLAS)	1.000 EA
85XU0407A04	#4-7 X 1/4 DRIVE PIN	2.000 EA
MG1000Y03	WILKO 689.710 GOLD PAINT SUPER E	0.050 GA
09FN3001D01	EXTERNAL FAN, PLASTIC	1.000 EA
51XB1214A20	12-14X1.25 HXWSSLD SERTYB	1.000 EA
HW2500A25	WOODRUFF KEY USA #1008 #BLOW CARBON STEE	1.000 EA
LB1125C02	SUPER-E (STOCK CTN LABEL SUPER-E WITH FL	4.000 EA
LC0005E02	SPL CONN.DIA./WARN.LABEL(LC0005/LB1119)	1.000 EA

Parts List (continued)		
Part Number	Description	Quantity
NP1259L	ALUM SUPER-E UL CSA-EEV CC NEMA PREMIUM	1.000 EA
09PA1000	PACKAGING GROUP COMBINED PRINT	1.000 EA
LB1357	ENERGY GUIDE LABEL (BOX LABEL)	2.000 SH

Accessories		
Part Number	Description	Multiplier
09-1309	C FACE KIT (kit may require RB3001A01)	A8

Performance Data at 460V, 60Hz, 20.0HP (Typical performance - Not guaranteed values)							
General Characteristics							
Full Load Torque:	59.5 LB-FT			Start Configuration:	DOL		
No-Load Current:	9.79 Amps			Break-Down Torque:	199.0 LB-FT		
Line-line Res. @ 25°C.:	0.416 Ohms A Ph / 0.0 Ohms B Ph			Pull-Up Torque:	104.0 LB-FT		
Temp. Rise @ Rated Load:	64 C			Locked-Rotor Torque:	116.0 LB-FT		
Temp. Rise @ S.F. Load:	86 C			Starting Current:	175.1 Amps		
Load Characteristics							
% of Rated Load	25	50	75	100	125	150	S.F.
Power Factor:	47.0	70.0	79.0	84.0	86.0	86.0	85.0
Efficiency:	89.0	92.6	93.3	93.0	92.4	91.3	92.7
Speed:	1792.0	1784.0	1775.0	1765.0	1755.0	1745.0	1759.0
Line Amperes:	11.24	14.53	18.98	23.92	29.6	35.61	27.33

Performance Graph at 460V, 60Hz, 20.0HP Typical performance - Not guaranteed values

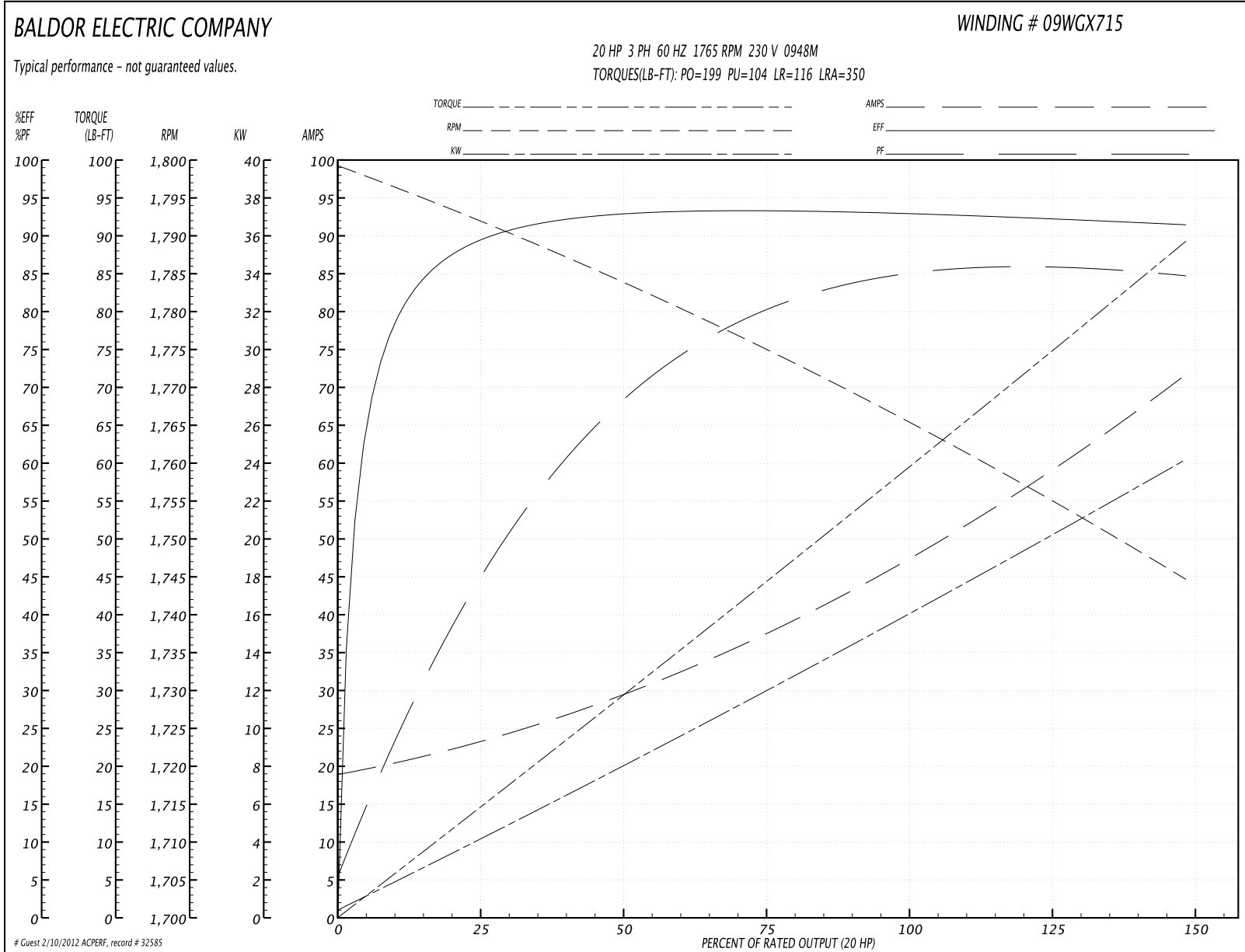




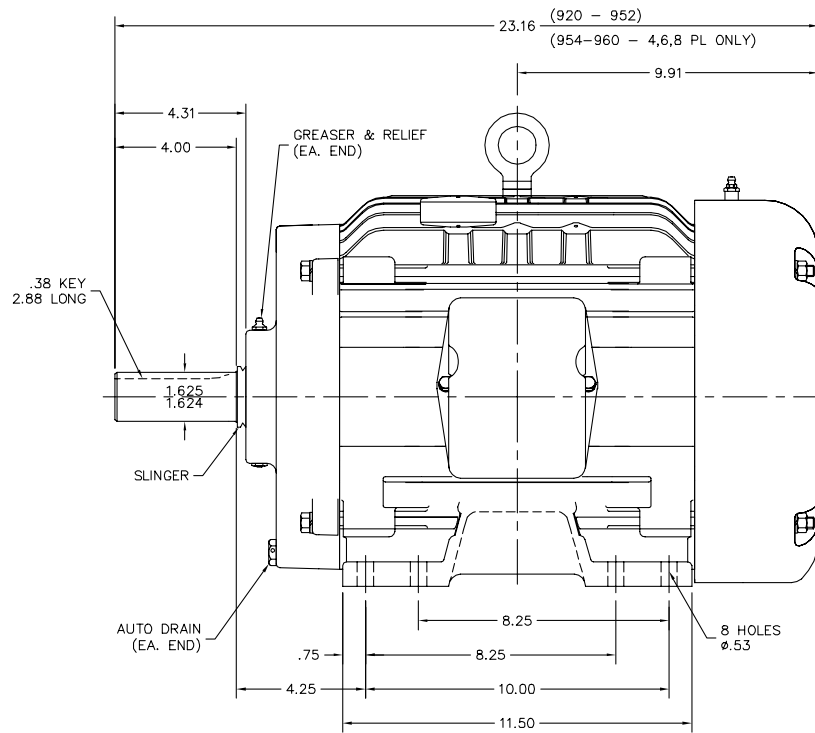
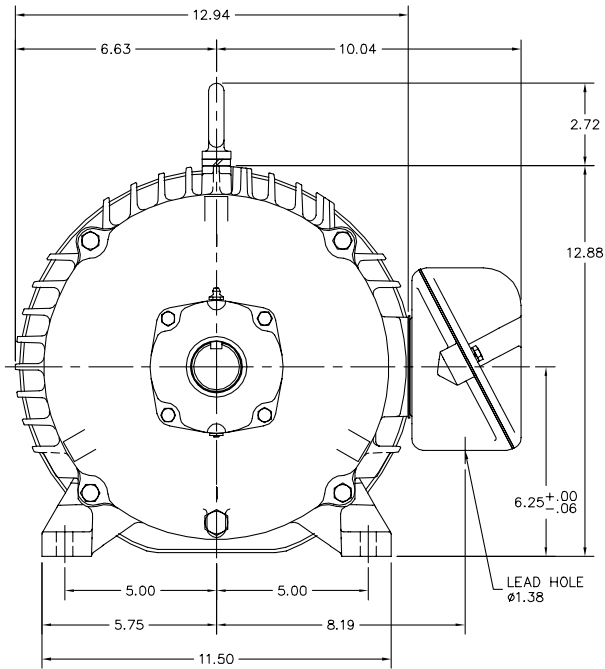
**Performance Data at 230V, 60Hz, 20.0HP (Typical performance - Not guaranteed values)**

General Characteristics							
Full Load Torque:	59.5 LB-FT			Start Configuration:	DOL		
No-Load Current:	19.6 Amps			Break-Down Torque:	199.0 LB-FT		
Line-line Res. @ 25°C.:	0.11 Ohms A Ph / 0.0 Ohms B Ph			Pull-Up Torque:	104.0 LB-FT		
Temp. Rise @ Rated Load:	64 C			Locked-Rotor Torque:	116.0 LB-FT		
Temp. Rise @ S.F. Load:	79 C			Starting Current:	350.0 Amps		
Load Characteristics							
% of Rated Load	25	50	75	100	125	150	S.F.
Power Factor:	47.0	70.0	80.0	84.0	85.0	85.0	85.0
Efficiency:	89.2	92.8	93.2	93.0	92.4	91.3	92.6
Speed:	1792.0	1784.0	1775.0	1765.0	1755.0	1745.0	1759.0
Line Amperes:	22.5	29.1	38.0	47.8	59.2	71.2	54.6

Performance Graph at 230V, 60Hz, 20.0HP Typical performance - Not guaranteed values



09LYC106



CUSTOMER IS RESPONSIBLE FOR DETERMINING THAT MOTOR PERFORMANCE IS SUITABLE IN THE APPLICATION.

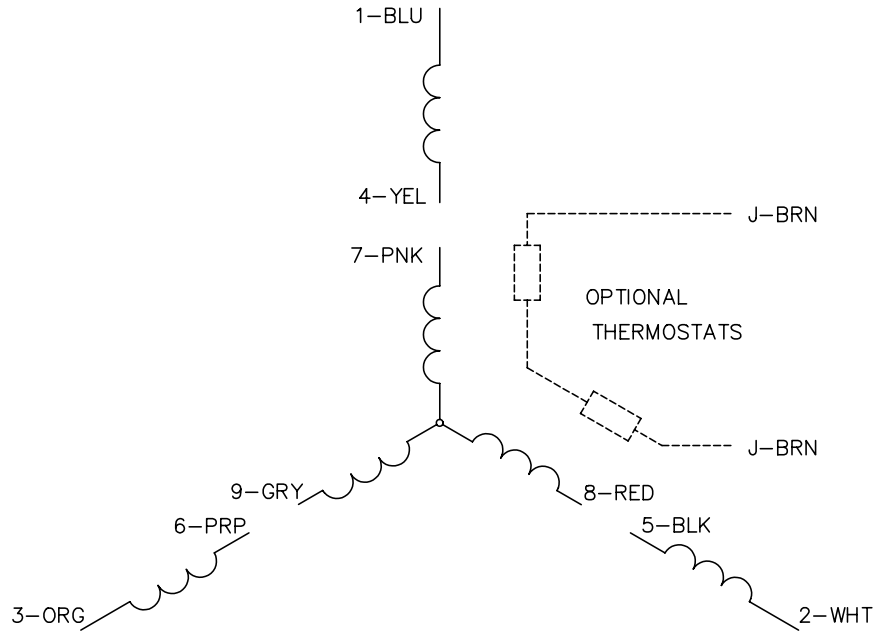
REV. DESC: CORRECT GRAPHICS		
REV. LTR: G	VERSION: 02	TDR: 000000418711
FILE: \AAA\00044\870	REVISED: 10;11:18 01/09/2007	BY: ENBREWO
MTL: -		

**BALDOR ELECTRIC Co.**

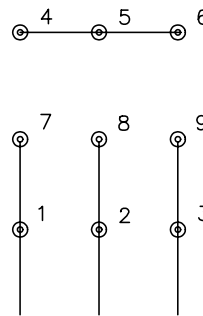
STD HORZ TEFC 254-6T F2

09LYC106

CD0005

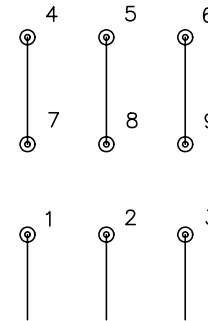


LOW VOLTAGE  
(2Y)



LINE

HIGH VOLTAGE  
(1Y)



LINE

NOTES:

1. INTERCHANGE ANY TWO LINE LEADS TO REVERSE ROTATION.
2. OPTIONAL THERMOSTATS ARE PROVIDED WHEN SPECIFIED.
3. ACTUAL NUMBER OF INTERNAL PARALLEL CIRCUITS MAY BE A MULTIPLE OF THOSE SHOWN ABOVE.
4. LEAD COLORS ARE OPTIONAL. LEADS MUST ALWAYS BE NUMBERED AS SHOWN.

REV. DESC: REVISE TO SHOW OPTIONAL COLORS			
REV. LTR: E	BY: JLP	REVISED: 01/19/99 10:15	TDR: 0171435
90000		FILE: AAA00005140	MDL: -
		MTL: -	

**BALDOR ELECTRIC Co.**

3PH, DV, 9 LEADS

CD0005