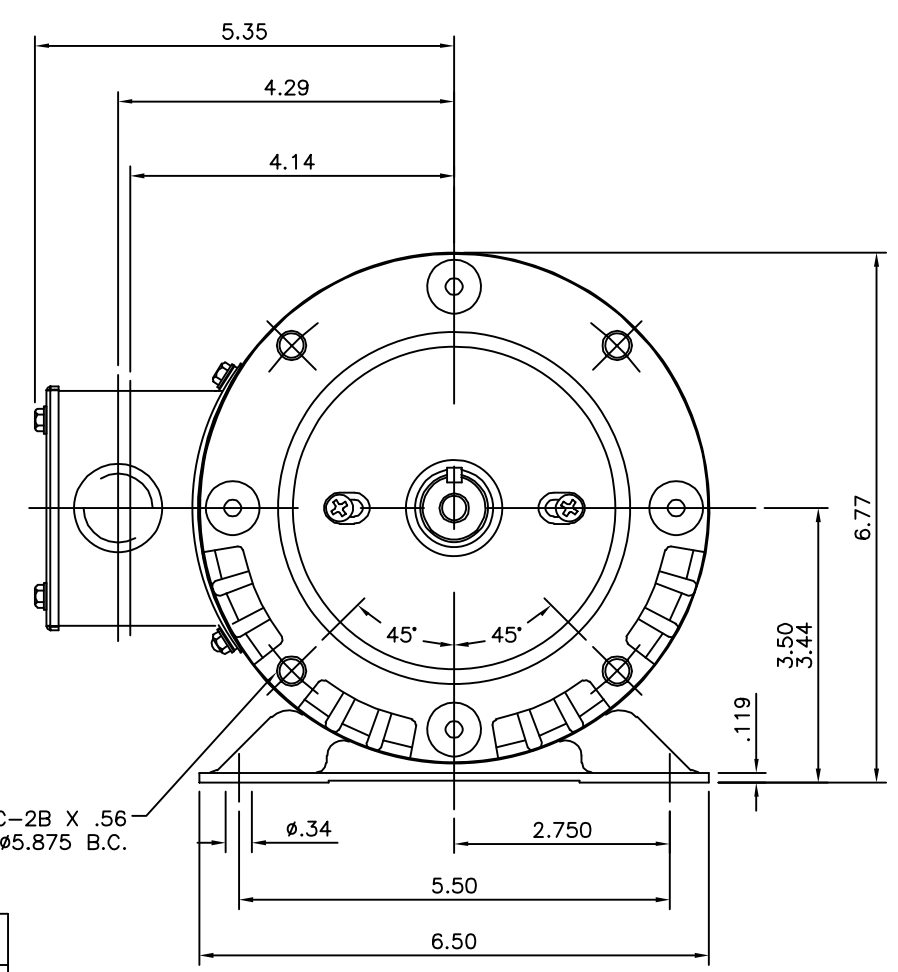
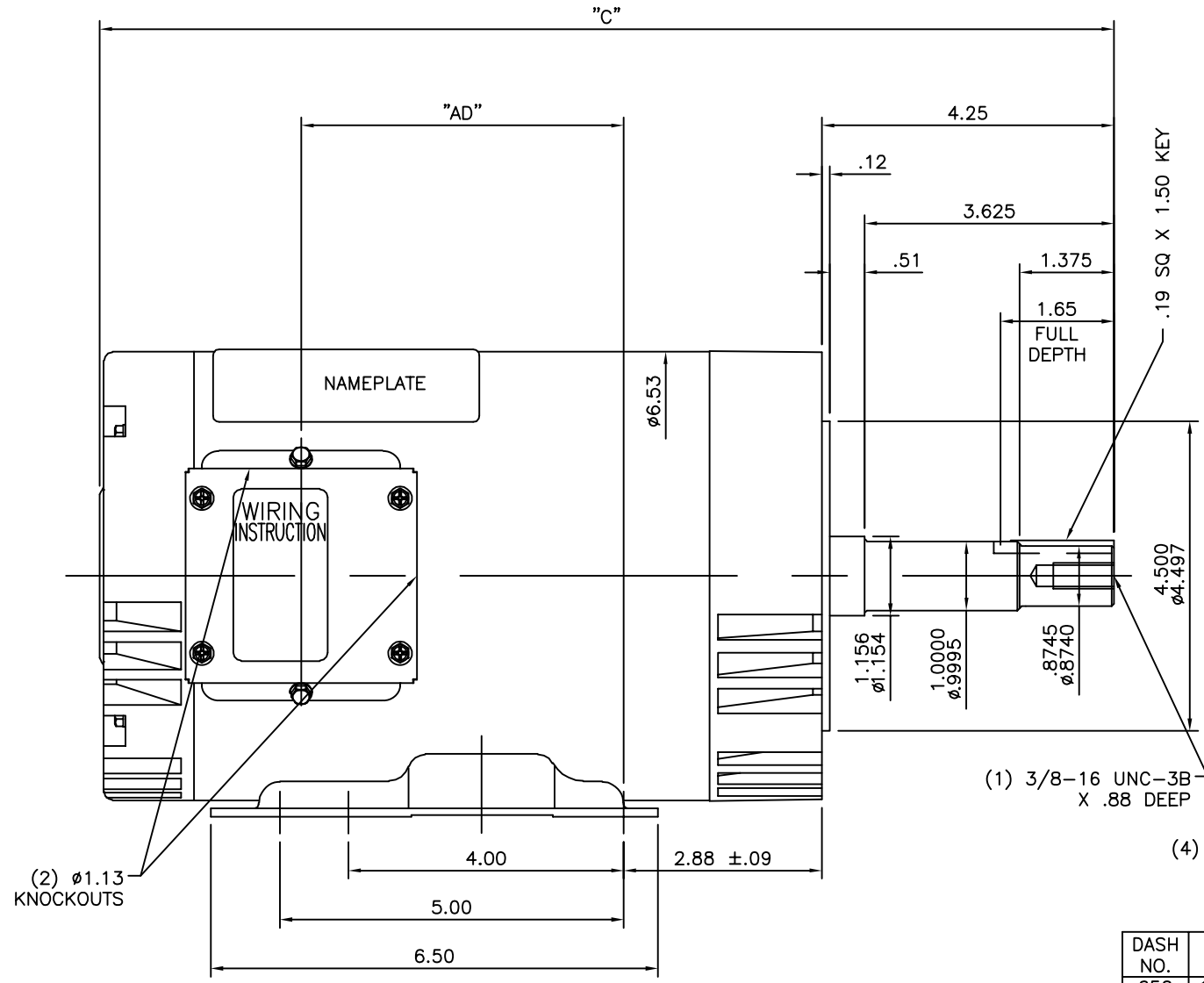


607-0208



(1) 3/8-16 UNC-3B X .88 DEEP

(4) 3/8-16 UNC-2B X .56 DEEP ON A 0.875 B.C.

DASH NO.	"C"	"AD"
650	13.75	3.69
700	14.25	4.19
750	14.75	4.69
800	15.25	5.19
825	15.50	5.44
850	15.75	5.69
875	16.00	5.94
900	16.25	6.19
950	16.75	6.69

MAXIMUM FACE RUNOUT .004 T.I.R.
 MAXIMUM PILOT ECCENTRICITY .004 T.I.R.
 PERMISSIBLE SHAFT RUNOUT .002 T.I.R.

		TOLERANCES UNLESS SPECIFIED		DRAWN SAJ 04/23/15	
		DEC.	INCHES	CHK JD 04/23/15	
		.X	±.1	APPD JD 04/23/15	
		.XX	±.03	SCALE 1=2	
		.XXX	±.005	REF 029012	
A	NEW DRAWING	SAJ 04/23/15	JD	.XXXX ±.0005	MAT'L. JM PUMP MOTOR
NO.	REVISION	BY & DATE	CHK	ANG ±1/2'	FINISH
THIS DRAWING IN DESIGN AND DETAIL IS OUR PROPERTY AND MUST NOT BE USED EXCEPT IN CONNECTION WITH OUR WORK ALL RIGHTS OF DESIGN AND INVENTION ARE RESERVED THIS IS AN ELECTRONICALLY GENERATED DOCUMENT - DO NOT SCALE THIS PRINT				RFP	CAD FILE 607-0208
				SIZE	DRAWING NO.
				B	607-0208
				DIST	REV. A



TITLE OUTLINE - 145JM FRAME
 DRIP PROOF - RIGID "C"

SCALE 1=2
 REF 029012
 FMP 122081.00
 PREV