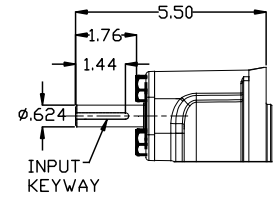
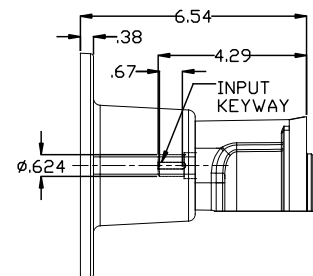


Style TX



Style TXM



Dimensions (inches)

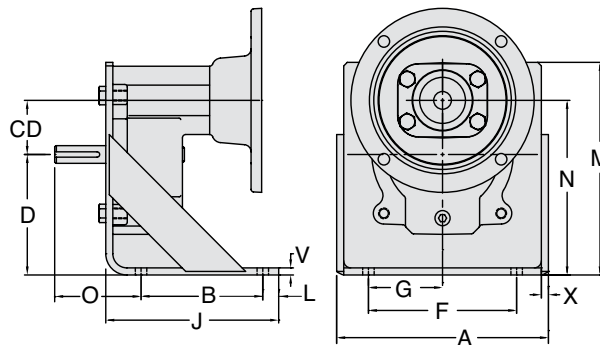
Style	Frame Combinations (Input - Output)	AJ	AK	BD	BF	LQ	LQ1	Input Bore Dia.	O	T	Input Keyway	Output Keyway
TXMQ, TXM, TX	48CZ-56C	3.75	3.00	4.21	0.28	4.80	4.41	0.500	2.06	0.625	1/8 x 1/16	3/16 x 3/32
	56C-56C	5.88	4.50	6.64	0.41	5.06	4.67	0.625	2.06	0.625	3/16 x 3/32	3/16 x 3/32
	56C-140TC	5.88	4.50	6.64	0.41	5.06	4.67	0.625	2.13	0.875	3/16 x 3/32	3/16 x 3/32
	140TC-56C	5.88	4.50	6.64	0.41	5.06	4.67	0.875	2.06	0.625	3/16 x 3/32	3/16 x 3/32
	140TC-140TC	5.88	4.50	6.64	0.41	5.06	4.67	0.875	2.13	0.875	3/16 x 3/32	3/16 x 3/32

Available Selections

Exact Ratio	Style	Motor C-Flange	Output C-Flange	Painted* Catalog No.	Unpainted Catalog No.
2.000	TXMQ	48CZ	56C	708200L	EL708200
		56C	56C	708201L	EL708201
		56C	143-5TC	708202L	EL708202
		143-5TC	56C	708203L	EL708203
		143-5TC	143-5TC	708204L	EL708204
	TXM	56C	56C	708205L	EL708205
		56C	143-5TC	708206L	EL708206
		143-5TC	56C	708207L	EL708207
		143-5TC	143-5TC	708208L	EL708208
	TX	-	56C	708209L	EL708209
-		140TC	708210L	EL708210	
2.913	TXMQ	48CZ	56C	708211L	EL708211
		56C	56C	708212L	EL708212
		56C	143-5TC	708213L	EL708213
		143-5TC	56C	708214L	EL708214
		143-5TC	143-5TC	708215L	EL708215
	TXM	56C	56C	708216L	EL708216
		56C	143-5TC	708217L	EL708217
		143-5TC	56C	708218L	EL708218
		143-5TC	143-5TC	708219L	EL708219
	TX	-	56C	708220L	EL708220
-		140TC	708221L	EL708221	
4.000	TXMQ	48CZ	56C	708222L	EL708222
		56C	56C	708223L	EL708223
		56C	143-5TC	708224L	EL708224
		143-5TC	56C	708225L	EL708225
		143-5TC	143-5TC	708226L	EL708226
	TXM	56C	56C	708227L	EL708227
		56C	143-5TC	708228L	EL708228
		143-5TC	56C	708229L	EL708229
		143-5TC	143-5TC	708230L	EL708230
	TX	-	56C	708231L	EL708231
-		140TC	708232L	EL708232	
5.000	TXMQ	48CZ	56C	708233L	EL708233
		56C	56C	708234L	EL708234
		56C	143-5TC	708235L	EL708235
		143-5TC	56C	708236L	EL708236
		143-5TC	143-5TC	708237L	EL708237
	TXM	56C	56C	708238L	EL708238
		56C	143-5TC	708239L	EL708239
		143-5TC	56C	708240L	EL708240
		143-5TC	143-5TC	708241L	EL708241
	TX	-	56C	708242L	EL708242
-		140TC	708243L	EL708243	
7.182	TXMQ	48CZ	56C	708244L	EL708244
		56C	56C	708245L	EL708245
		56C	143-5TC	708246L	EL708246
		143-5TC	56C	708247L	EL708247
		143-5TC	143-5TC	708248L	EL708248
	TXM	56C	56C	708249L	EL708249
		56C	143-5TC	708250L	EL708250
		143-5TC	56C	708251L	EL708251
		143-5TC	143-5TC	708252L	EL708252
	TX	-	56C	708253L	EL708253
-		140TC	708254L	EL708254	

* Standard Grove Gear blue paint

Ratio Multiplier Foot Kit for Styles TBX, TBXM, TBXMQ



Dimensions (inches)

Size	Output	A	B	CD	D	F	G	H	J	X	L	M	N	O	V	X	Catalog Number	Weight (lbs)
TX	56C	7.50	4.31	1.909	4.250	5.25	2.63	0.41	6.13	0.25	0.56	7.50	6.16	3.06	.25	.25	G185655	2.0
	140TC	7.50	4.31	1.909	4.250	5.25	2.63	0.41	6.13	0.25	0.56	7.50	6.16	3.12	.25	.25		
TX3	180TC	9.50	5.25	2.874	5.000	7.00	3.50	0.53	7.38	0.25	0.63	9.44	7.88	3.88	.25	.25	G185657	3.0
	210TC	9.50	5.25	2.874	5.000	7.00	3.50	0.53	7.38	0.25	0.63	9.44	7.88	4.38	.25	.25		
	250TC	9.50	5.25	2.874	5.000	7.00	3.50	0.53	7.38	0.25	0.63	9.44	7.88	5.00	.25	.25		

NOTE: Foot kit is painted steel construction.

Maximum Rating Tables

Stainless TX

Exact Ratio	Input RPM	Output RPM	Input HP	Output HP	Output TQ. (lb-in.)	Overhung Load (lbs.)
2.056	1750	851	4.69	4.55	347	222
2.929	1750	598	3.64	3.53	384	265
4.000	1750	438	2.91	2.82	419	300
5.111	1750	342	2.33	2.26	428	300
7.462	1750	235	1.56	1.52	419	300

TX

Exact Ratio	Input RPM	Output RPM	Input HP	Output HP	Output TQ. (lb-in.)	Overhung Load 56C Output (lbs.)	Overhung Load 140TC Output (lbs.)
2.000	1750	875	6.00	5.88	424	358	358
2.913	1750	601	4.21	4.13	433	375	434
4.000	1750	438	3.63	3.55	511	375	455
5.000	1750	350	3.00	2.94	529	375	455
7.182	1750	244	2.62	2.57	664	375	455

TX3

Exact Ratio	Input RPM	Output RPM	Input HP	Output HP	Output TQ. (lb-in.)	Overhung Load (lbs.)
2.000	1750	875	20.00	19.6	1412	900
2.964	1750	590	12.98	12.72	1357	900
4.045	1750	433	11.35	11.13	1621	900
5.167	1750	339	10.07	9.87	1836	900
7.538	1750	232	5.80	5.69	1544	900