

BALDOR® • RELIANCE

Product Information Packet

L1401M

1HP,1725RPM,1PH,60HZ,182,3617L,OPEN,F1

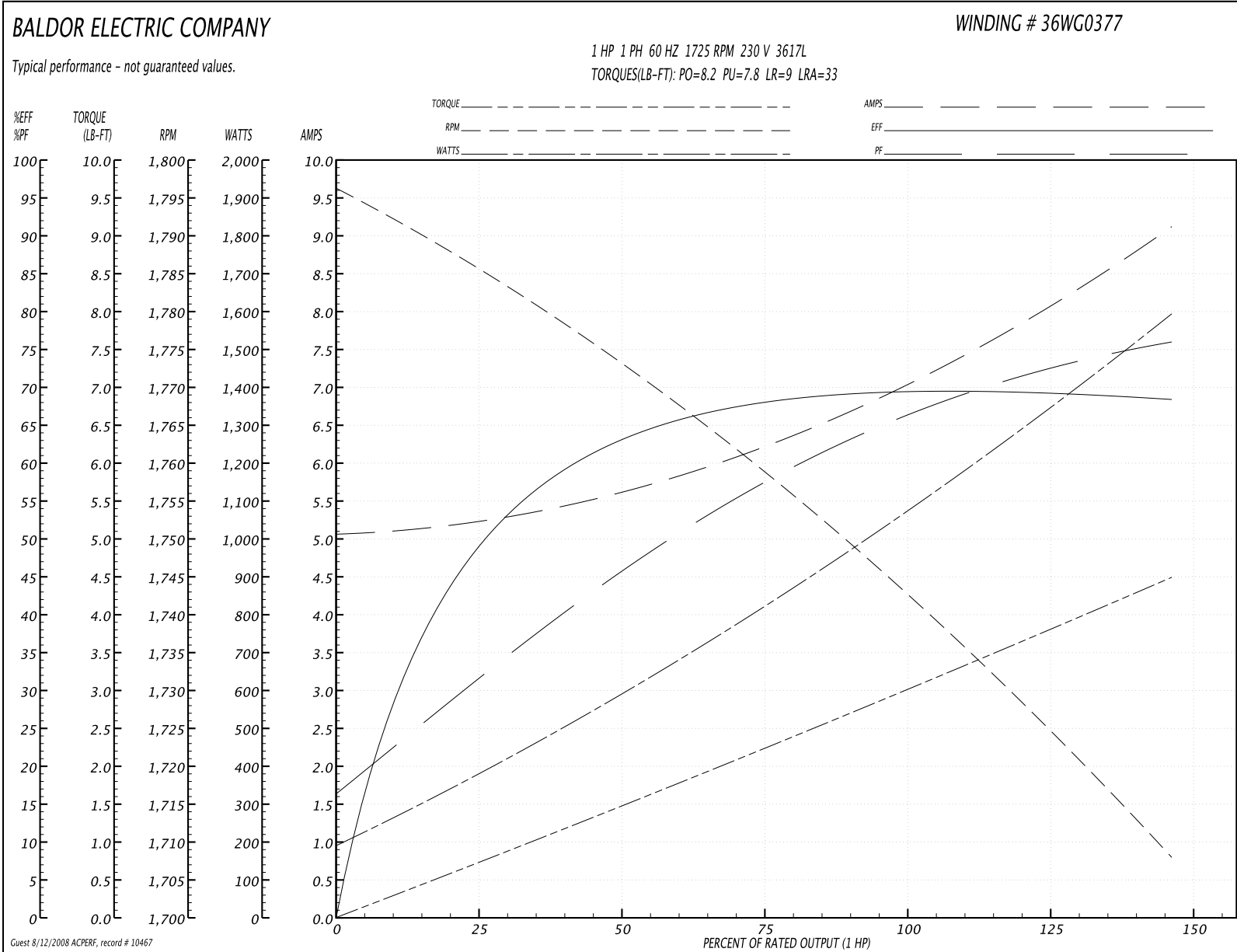
| Product Detail | | | | | | | |
|-------------------|--------------|----------------|-------|-------------|----------|---------------|------------|
| Revision: | V | Status: | PRD/A | Change #: | | Proprietary: | No |
| Type: | AC | Prod Type: | 3617L | Elec. Spec: | 36WG0377 | CD Diagram: | CD0008 |
| Enclosure | OPEN | Mfg Plant: | | Mech Spec: | 36D011 | Layout: | 36LYD011 |
| Frame: | 182 | Mounting: | F1 | Poles: | 04 | Created Date: | |
| Base: | RG | Rotation: | R | Insulation: | B | Eff. Date: | 11-16-2007 |
| Leads: | 6#16,1#14 | | | | | Replaced By: | |
| Nameplate NP1257L | | | | | | | |
| CAT.NO. | L1401M | | | | | | |
| SPEC. | 36D11-377 | | | | | | |
| HP | 1 | | | | | | |
| VOLTS | 115/230 | | | | | | |
| AMP | 14/7 | | | | | | |
| RPM | 1725 | | | | | | |
| FRAME | 182 | HZ | 60 | PH | 1 | | |
| SER.F. | 1.15 | CODE | J | DES | L | CL | B |
| NEMA-NOM-EFF | 70 | PF | 66 | | | | |
| RATING | 40C AMB-CONT | | | | | | |
| CC | | USABLE AT 208V | | | | | |
| DE | 6206 | ODE | 6205 | | | | |
| ENCL | OPEN | SN | | | | | |

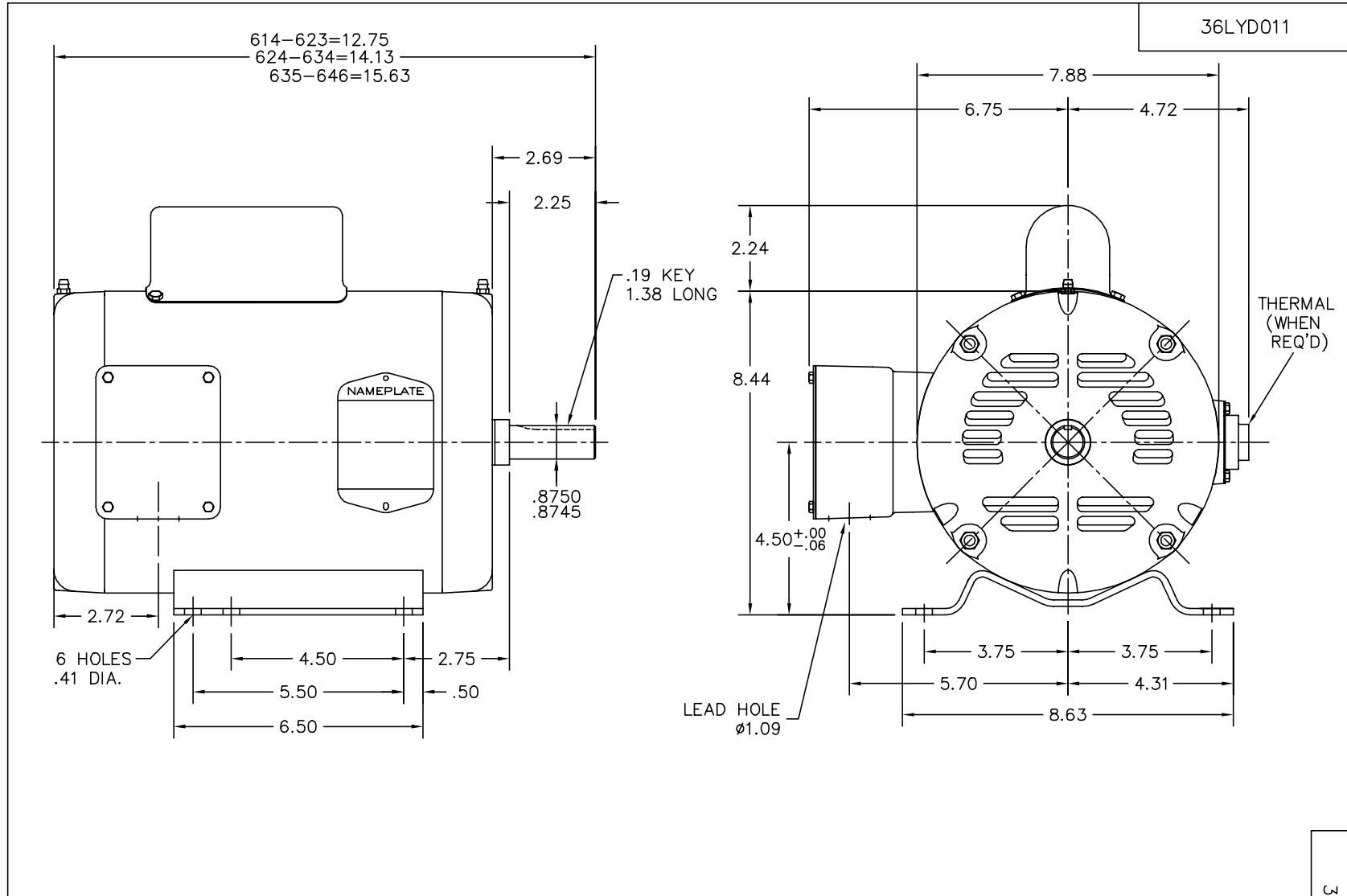
| Parts List | | | |
|-------------------|--|-----------------|-------------------|
| Product ID | Description | Quantity | List Price |
| SA034378 | SA 36D11-377 | 1.000 | 401.00 |
| RA030406 | RA 36D11-377 | 1.000 | 334.00 |
| EC1645A06SP | ELEC CAP, 645-774 MFD, 125V, 2.06D X 4. | 1.000 | 31.00 |
| 36CB3004 | 36 CB CASTING W/1.09 DIA LEAD HOLE @ 6:0 | 1.000 | 19.00 |
| 51XB1016A08 | 10-16X 1/2HXWSSLD SERTYB | 2.000 | 2.00 |
| 11XW1032G06 | 10-32 X .38, TAPTITE II, HEX WSHR SLTD U | 1.000 | 2.00 |
| HW3001A01 | D3019 BRASS WASHER(STIMP) | 1.000 | 2.00 |
| 36EP3200A01SP | FR ENDPLATE, MACH | 1.000 | 66.00 |
| HW4500A01 | 1641B(ALEMITE)400 UNIV, GREASE FITT | 1.000 | 2.00 |
| 13XT0832A07 | 8-32X7/16 TYP 23 PAN HD SLT DX | 2.000 | 2.00 |
| NS2501A01 | INSULATOR, CAPACITOR X | 1.000 | 2.00 |
| SP1008A01 | BAFFLE, MODEL 36 & 37 | 1.000 | 3.00 |
| 35CB4802A02SP | CAPACITOR COVER, STAMPED X W/AUTOPHORET | 1.000 | 16.00 |
| 51XB1016A05 | 10-16X5/16HX WA SL SR TYB (F/S) | 2.000 | 2.00 |
| HW5100A05 | WVY WSHR F/205 & 304 BRGS | 1.000 | 2.00 |
| 36EP3201A01 | PU ENDPLATE, MACH | 1.000 | 66.00 |
| HW4500A01 | 1641B(ALEMITE)400 UNIV, GREASE FITT | 1.000 | 2.00 |
| XY2520A12 | 1/4-20 HEX NOT DIRECTIONAL SERRATION | 4.000 | 1.00 |
| 36CB4516 | 36 LIPPED CB LID | 1.000 | 2.00 |
| 51XW0832A07 | 8-32 X .44, TAPTITE II, HEX WSHR SLTD SE | 4.000 | 2.00 |
| HW2501D13SP | KEY, 3/16 SQ X 1.375 | 1.000 | 2.00 |
| HA7000A01 | KEY RETAINER 7/8" DIA SHAFT | 1.000 | 2.00 |
| 10XF0440S02 | 04-40 X 1/8 TYPE F HEX HD STAINLESS STIC | 2.000 | 2.00 |
| WD1000A15 | 3-520132-2 AMP FLAG (4M/RL NON-CANC/NON- | 2.000 | 2.00 |

| Parts List (continued) | | | |
|-------------------------------|--|-----------------|-------------------|
| Product ID | Description | Quantity | List Price |
| MJ1000A02 | GREASE, POLYREX EM EXXON | 0.050 | 10.00 |
| MG1000G27 | PAINT- S9282E CHARCOAL GREY | 0.022 | 4,000.00 |
| HA3101A23 | THRUBOLT 1/4-20 X 9.625 DEMBY | 4.000 | 2.00 |
| SP5061A01 | MODEL 36 TYPE L,F1,SMALL CAP CAN | 1.000 | 38.00 |
| LB1119 | WARNING LABEL | 1.000 | 2.00 |
| LB1125C01 | STD (STOCK) CARTON LABEL BALDOR WITH FLA | 1.000 | 2.00 |
| LB1087 | LABEL,MANUAL RESET (ROLL LABEL) | 1.000 | 2.00 |
| LC0008 | 1PH,DV,7-LEAD,THERMAL,CONNECTION DIAGRAM | 1.000 | 2.00 |
| NP1257L | NP STD LASER ENGRAVED THERMAL PROTECTED, | 1.000 | 25.00 |
| 36PA1000 | PACK GROUP W/LB5001 | 1.000 | 17.00 |

| Performance Data at 230V, 60Hz, 1.0HP (Typical performance - Not guaranteed values) | | | | | | | |
|---|---------------------------------|-----------|-----------|-----------------------------|------------|------------|-------------|
| General Characteristics | | | | | | | |
| Full Load Torque: | 3.0 LB-FT | | | Start Configuration: | DOL | | |
| No-Load Current: | 5.0 Amps | | | Break-Down Torque: | 8.2 LB-FT | | |
| Line-line Res. @ 25°C.: | 1.99 Ohms A Ph / 1.76 Ohms B Ph | | | Pull-Up Torque: | 7.8 LB-FT | | |
| Temp. Rise @ Rated Load: | 36°C | | | Locked-Rotor Torque: | 9.0 LB-FT | | |
| Temp. Rise @ S.F. Load: | 47°C | | | Starting Current: | 33.0 Amps | | |
| Load Characteristics | | | | | | | |
| % of Rated Load: | 25 | 50 | 75 | 100 | 125 | 150 | S.F. |
| Power Factor: | 32.0 | 48.0 | 57.0 | 66.0 | 72.0 | 77.0 | 70.0 |
| Efficiency: | 49.0 | 62.3 | 67.6 | 70.1 | 70.0 | 67.9 | 70.0 |
| Speed: | 1784.0 | 1770.0 | 1760.0 | 1744.0 | 1728.0 | 1706.0 | 1734.0 |
| Line Amperes: | 5.3 | 5.7 | 6.2 | 7.0 | 7.9 | 9.2 | 7.5 |

Performance Graph at 230V, 60Hz, 1.0HP (Typical performance - Not guaranteed values)





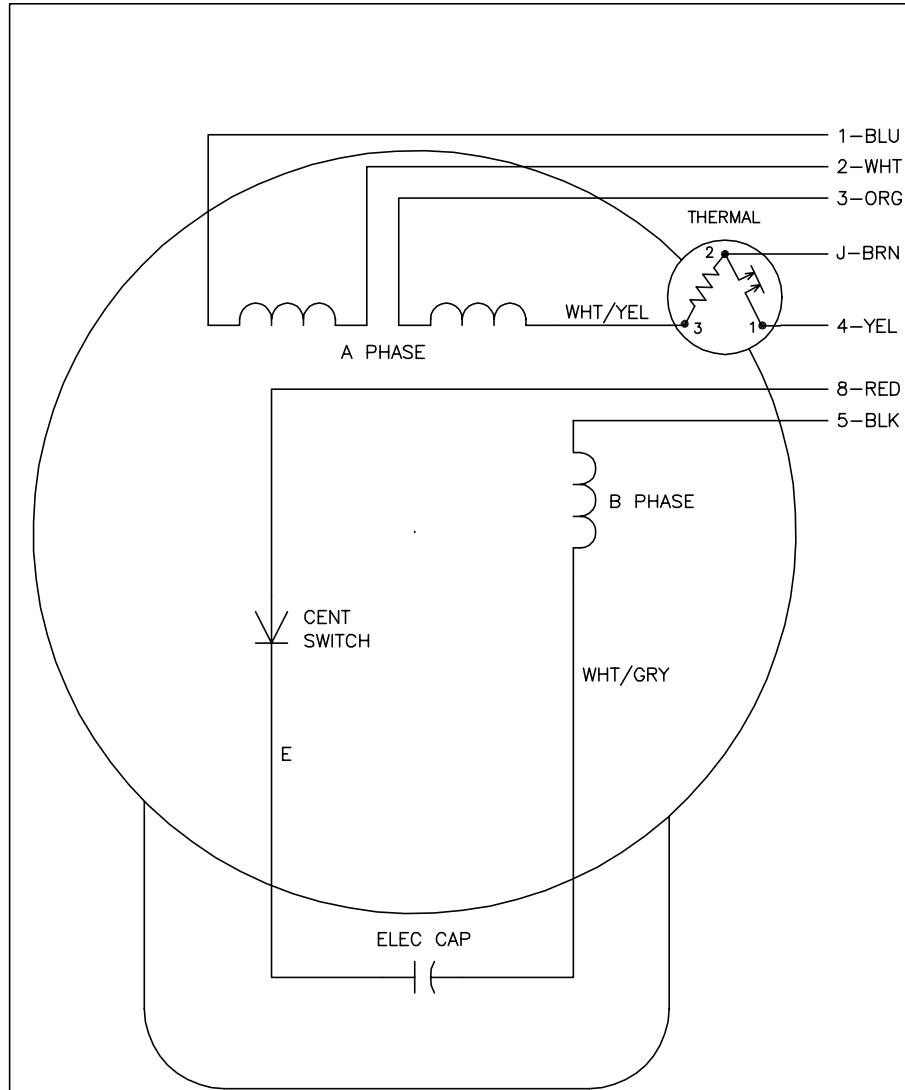
CUSTOMER IS RESPONSIBLE FOR DETERMINING THAT MOTOR PERFORMANCE IS SUITABLE IN THE APPLICATION.

| | | | |
|------------------------------|--------|------------------------------|---------------|
| REV. DESC: CORRECT PLOT FILE | | | |
| REV. LTR: F | BY: JF | REVISED: 10:21:47 06/04/2003 | TDR: 304239 |
| 110DA79E | | FILE: AAA00002581 | REF: 36LYD011 |
| | | MTL: - | |

| |
|----------------------------|
| BALDOR ELECTRIC Co. |
| STD HORZ 182-4 OPEN 36L |

36LYD011

CD0008



| | LINE A | LINE B | JOIN | JOIN |
|----------|--------|--------|-------|-------|
| HIGH STD | 1 | 4 | 2,3,8 | J,5 |
| HIGH OPP | 1 | 4 | 2,3,5 | J,8 |
| LOW STD | 1,3,8 | 4 | - | 2,J,5 |
| LOW OPP | 1,3,5 | 4 | - | 2,J,8 |

NOTES:

1. STANDARD ROTATION IS CCW FACING END OPPOSITE SHAFT EXTENSION.
2. MULTIPLE CAPACITORS ARE CONNECTED IN PARALLEL UNLESS OTHERWISE SPECIFIED.
3. LEAD COLORS ARE OPTIONAL. LEADS MUST ALWAYS BE NUMBERED AS SHOWN.

| | | |
|--|----------------------|------------------------------|
| REV. DESC: REMOVE 2-TERMINAL THERMAL DETAIL, SEE CD0008A02 | | |
| REV. LTR: F | VERSION: 01 | TDR: 000000360649 |
| 80000 | FILE: \AAA\00007\408 | REVISED: 10:56:54 04/18/2005 |
| | MTL: - | BY: ENJOEPO |

BALDOR ELECTRIC Co.

TYPE L, DV, REV, THERMAL, 7 LEADS

CD0008