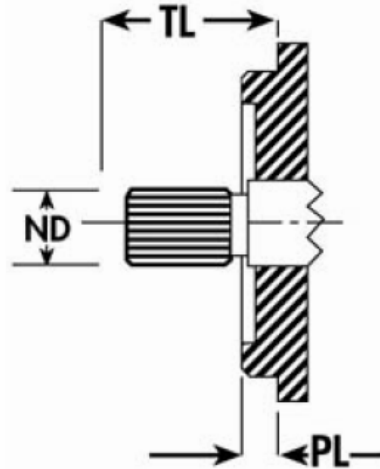




WWW.ELECTRICMOTORWHOLESALE.COM

SAE 30° Involute Spline Shafts



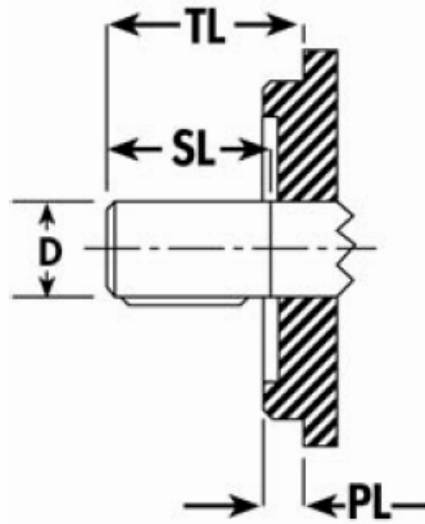
SAE Code	Spline Details	Nominal DIA (ND)	Total Length (TL)
AA	9T 20/40 DP	0.500	1.062
A	9T 16/32 DP	0.625	1.250
AH	11T 16/32 DP	0.750	1.250
B	13T 16/32 DP	0.875	1.625
BB	15T 16/32 DP	1.000	1.812
C	14T 12/24 DP	1.250	2.187
CS	21T 16/32 DP	1.375	2.187
CC	17T 12/24 DP	1.500	2.437
D	13T 8/16 DP	1.750	2.937
E	13T 8/16 DP	1.750	2.937
F	15T 8/16 DP	2.000	3.437

CONTACT US AT:
QUOTES@ELECTRICMOTORWHOLESALE.COM
 (302) 653-1844



WWW.ELECTRICMOTORWHOLESALE.COM

SAE Straight (Keyed) Shafts



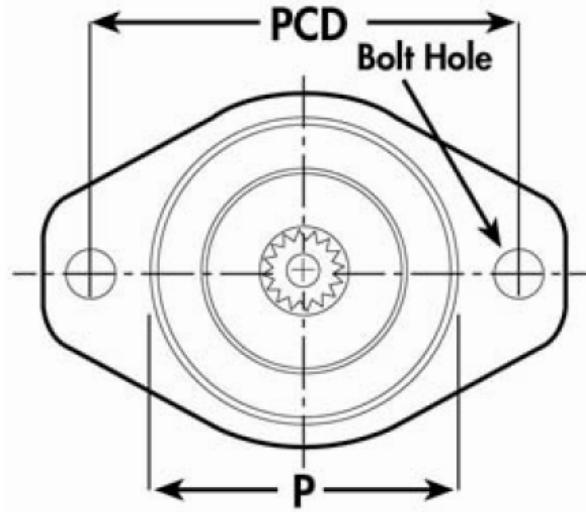
SAE Code	Shaft DIA (D)	Shaft Length (SL)	Total Length (TL)	Key Width
AA	0.500	0.750	1.062	0.125
A	0.625	0.937	1.250	0.156
AH	0.750	0.937	1.250	0.187
B	0.875	1.312	1.625	0.250
BB	1.000	1.500	1.812	0.250
C	1.250	1.875	2.187	0.312
CC	1.500	2.125	2.437	0.375
D	1.750	2.625	2.937	0.437
E	1.750	2.625	2.937	0.437

CONTACT US AT:
QUOTES@ELECTRICMOTORWHOLESALE.COM
 (302) 653-1844



WWW.ELECTRICMOTORWHOLESALE.COM

SAE Two Bolt Mounting Flange



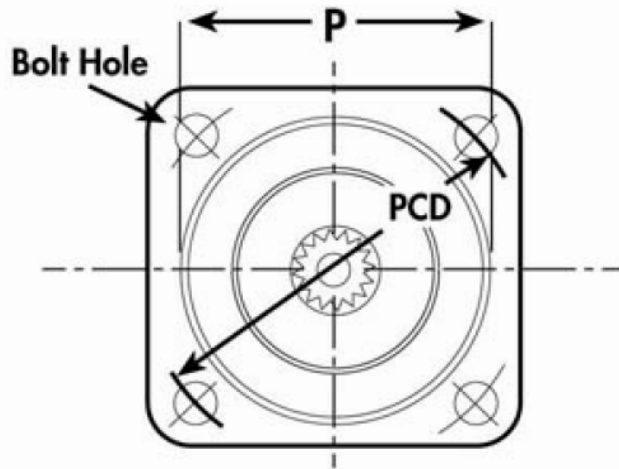
SAE Code	Bolt PCD	Bolt Hole DIA	Pilot DIA (P)	Pilot Length (PL)
AA	3.250	0.406	2.00	0.250
A	4.187	0.437	3.25	0.250
B	5.750	0.562	4.00	0.375
C	7.125	0.687	5.00	0.500
D	9.000	0.812	6.00	0.500
E	12.500	1.062	6.50	0.625
F	13.781	1.062	7.00	0.625

CONTACT US AT:
QUOTES@ELECTRICMOTORWHOLESALE.COM
 (302) 653-1844



WWW.ELECTRICMOTORWHOLESALE.COM

SAE Four Bolt Mounting Flange



SAE Code	Bolt PCD	Bolt Hole DIA	Pilot DIA (P)	Pilot Length (PL)
B	5.000	0.562	4.00	0.375
C	6.375	0.562	5.00	0.500
D	9.000	0.812	6.00	0.500
E	12.500	0.812	6.50	0.625
F	13.781	1.062	7.00	0.625

CONTACT US AT:
QUOTES@ELECTRICMOTORWHOLESALE.COM
 (302) 653-1844