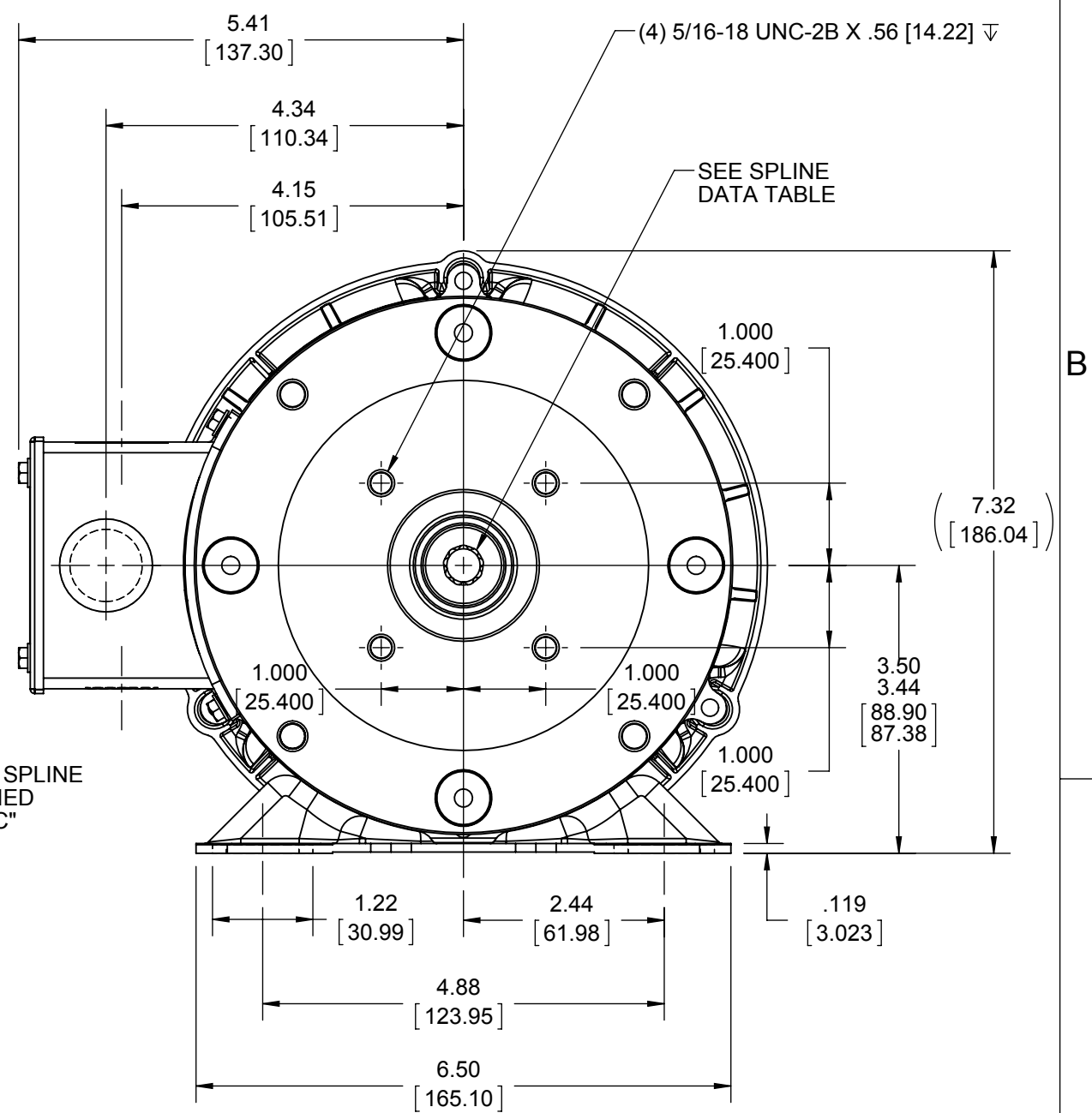
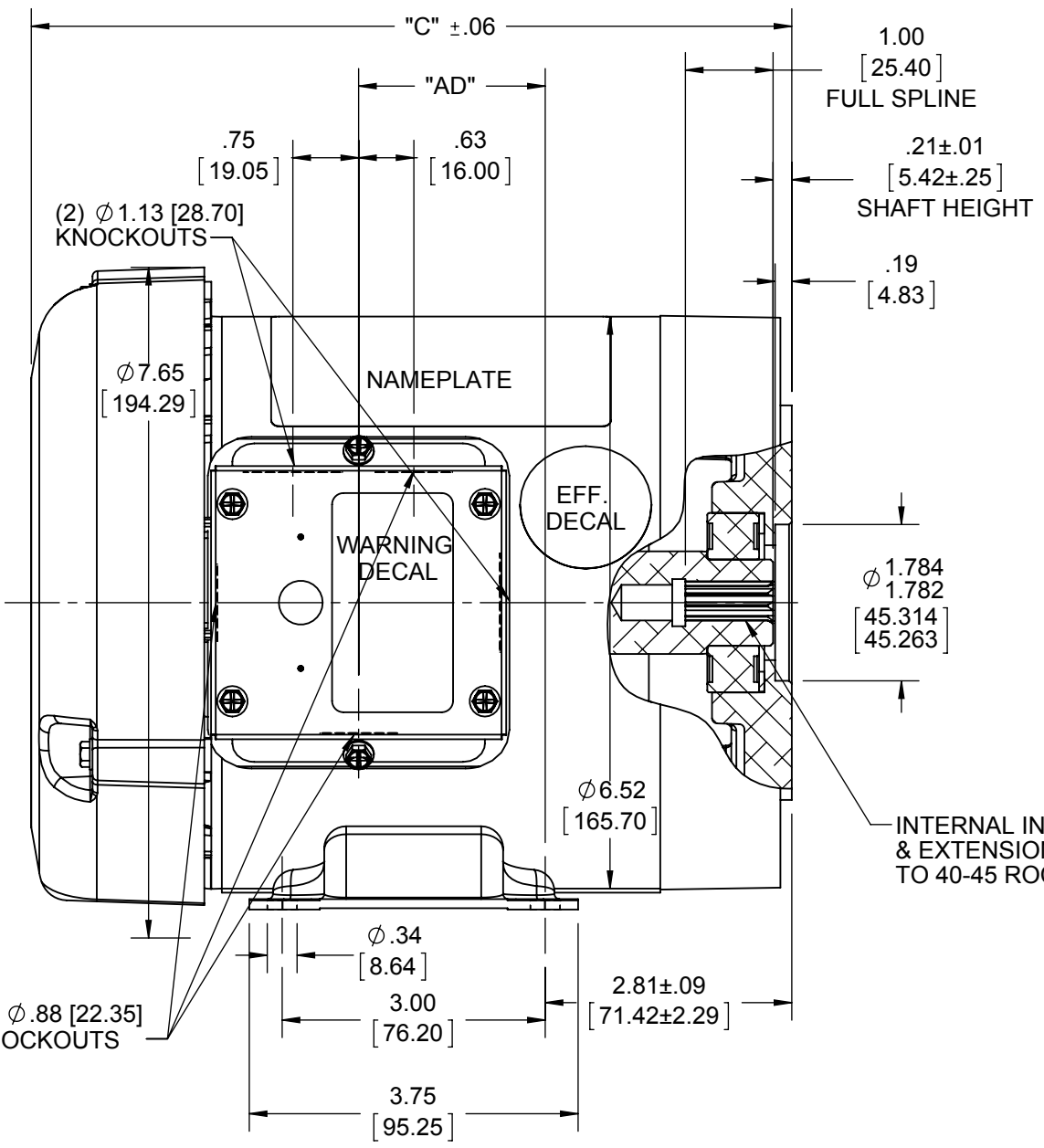


EXTERNAL INVOLUTE SPLINE DATA	
FLAT ROOT SIDE FIT -- CLASS 5 FIT	
NUMBER OF TEETH	9
SPLINE PITCH	20/40
PRESSURE ANGLE	30°
BASE DIAMETER	.3898 [9.9009] REF
PITCH DIAMETER	.4500 [11.4300] REF
MAJOR DIAMETER	.519 [13.183] MAX
FORM DIAMETER	.501 [12.725]
MINOR DIAMETER	.405 [10.287] / .406 [10.312]
CIRCULAR SPACE WIDTH	
MAX EFFECTIVE	.0785 [1.9939]
MIN ACTUAL	.0825 [2.0955]
MAX MESAUREMENT BETWEEN PINS	----
PIN DIAMETER	----
ANSI B92.1-1996 PROVISIONS APPLY	

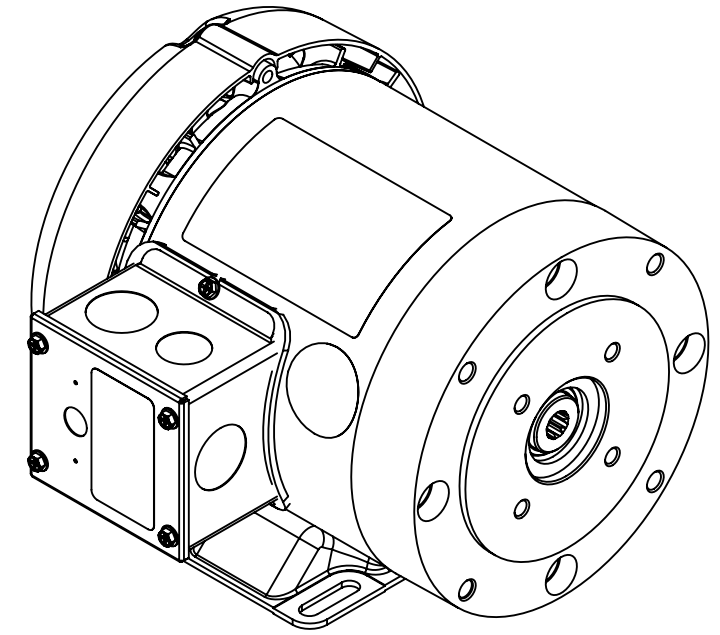
B

A



BASE & MOUNTING TAPS TO BE SQUARE & PARALLEL TO EACH OTHER ±.03 [.76] MAX GASKETS THROUGHOUT

DASH NO.	"C"	"AD"
500	8.67 [220.22]	2.13 [54.10]
550	9.17 [232.92]	2.63 [66.80]
600	9.67 [245.62]	3.13 [79.50]
650	10.17 [258.32]	3.63 [92.20]
700	10.67 [271.02]	4.13 [104.90]



DRAWING REVISION F	REVISION BY MITCH VERBICK	DATE 7/7/2014
ECO ECO-0055175	APPROVED BY	DATE
ECO DESCRIPTION FIX DESCRIPTION IN TITLE BLOCK TO 4-BOLT		
<small>COPYRIGHT REGAL BELOIT AMERICA, INC. ALL RIGHTS RESERVED.                  PROPRIETARY AND CONFIDENTIAL INFORMATION - THIS DOCUMENT IS THE PROPERTY OF                  REGAL BELOIT AMERICA, INC. ("OWNER") AND CONTAINS OWNER'S PROPRIETARY                  INFORMATION. ANY PERSON, CORPORATION OR OTHER FIRM RECEIVING IT IS DEEMED,                  BY RECEIVING IT, TO AGREE THAT IT, AND/OR ANY PART OF IT, SHALL NOT BE DISCLOSED                  TO ANY PERSON, CORPORATION OR OTHER ENTITY, DUPLICATED, AND/OR USED, EXCEPT                  AS EXPRESSLY APPROVED IN WRITING IN ADVANCE BY OWNER. THIS DOCUMENT SHALL                  BE RETURNED TO OWNER UPON REQUEST. IT MAY BE SUBJECT TO CERTAIN                  RESTRICTIONS UNDER APPLICABLE EXPORT CONTROL LAWS AND REGULATIONS.</small>		

TOLERANCES UNLESS OTHERWISE SPECIFIED:		
DEC.	INCH	mm
.X	±0.1	[±2.5]
.XX	±0.03	[±0.76]
.XXX	±0.005	[±0.127]
.XXXX	±0.0005	[±0.0127]
REMOVE BURRS & BREAK SHARP		
EDGES: .003/.015 [0.076/.381]		
CORNER FILLETS: .02 [51]		
MACHINED SURFACES: 125 INCH 3.2 mm		
mm SHOWN IN [BRACKETS]		

DRAWN BY SW	DATE 10/21/13
APPROVED BY	DATE
REFERENCE 028784	THIRD ANGLE PROJECTION

<b>REGAL</b> ™ Regal Beloit America, Inc.	
DESCRIPTION <b>OUTLINE</b> T.E.F.C - RIGID - SAE AA 4-BOLT PUMP	
MATERIAL	PROCESS/FINISH STOCK
SIZE B	DRAWING NUMBER 607-0157
SHEET 1 OF 1	

4

3

2

1