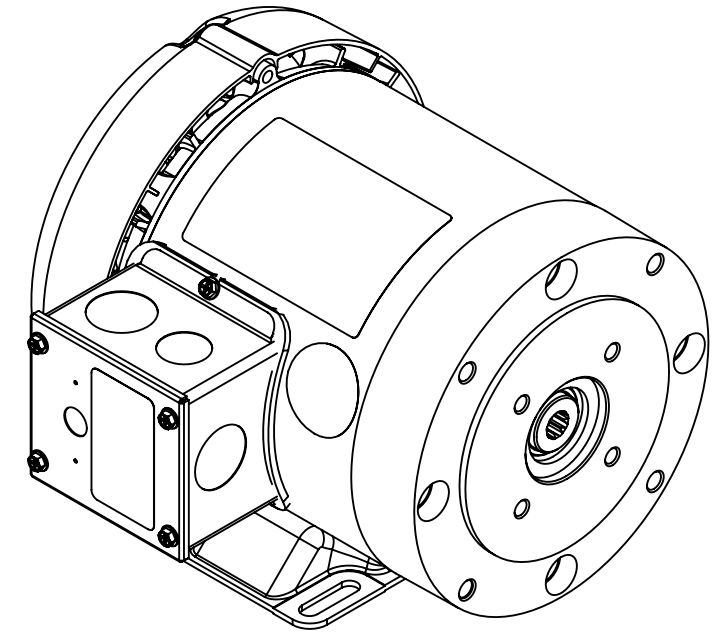
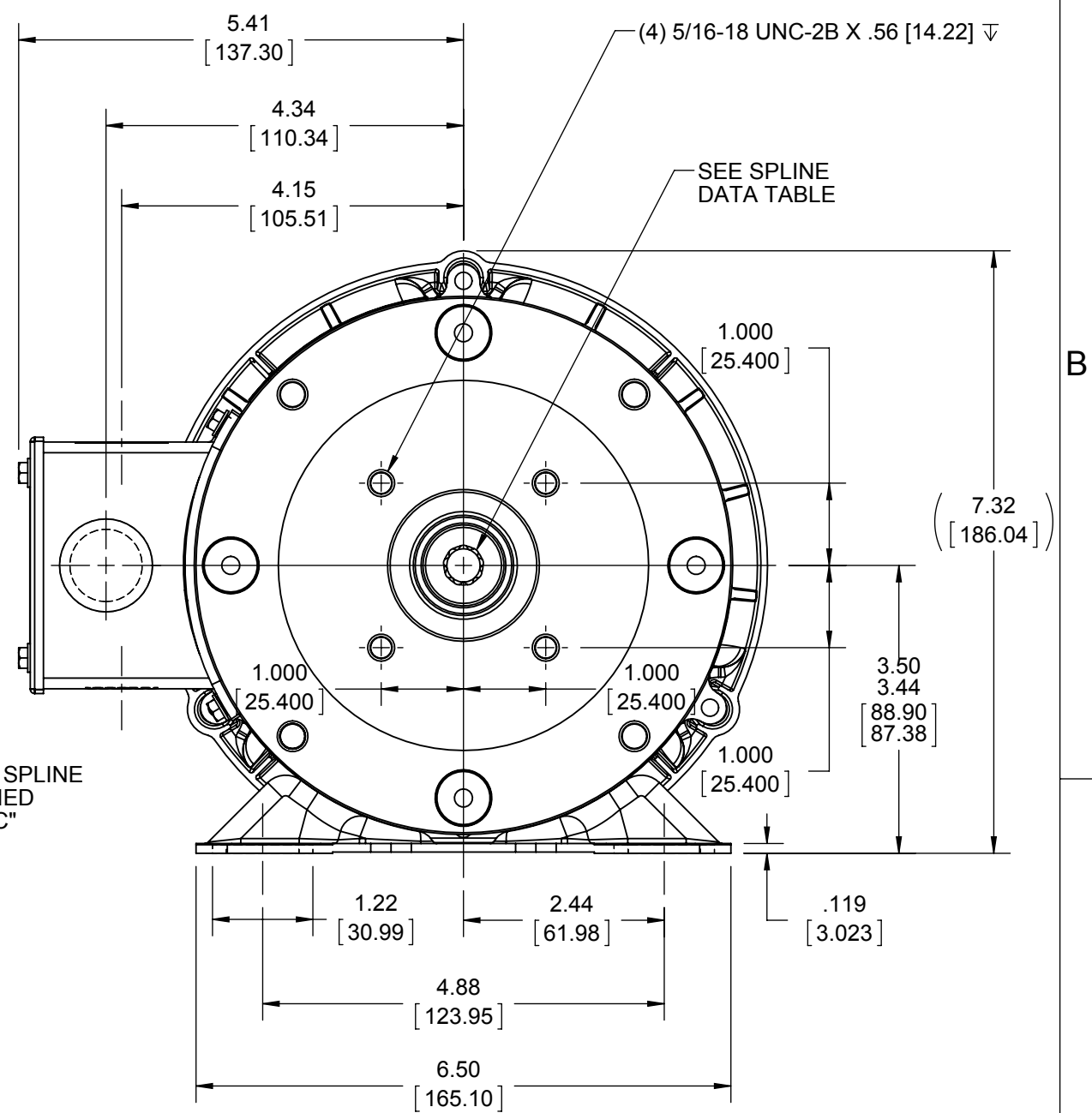
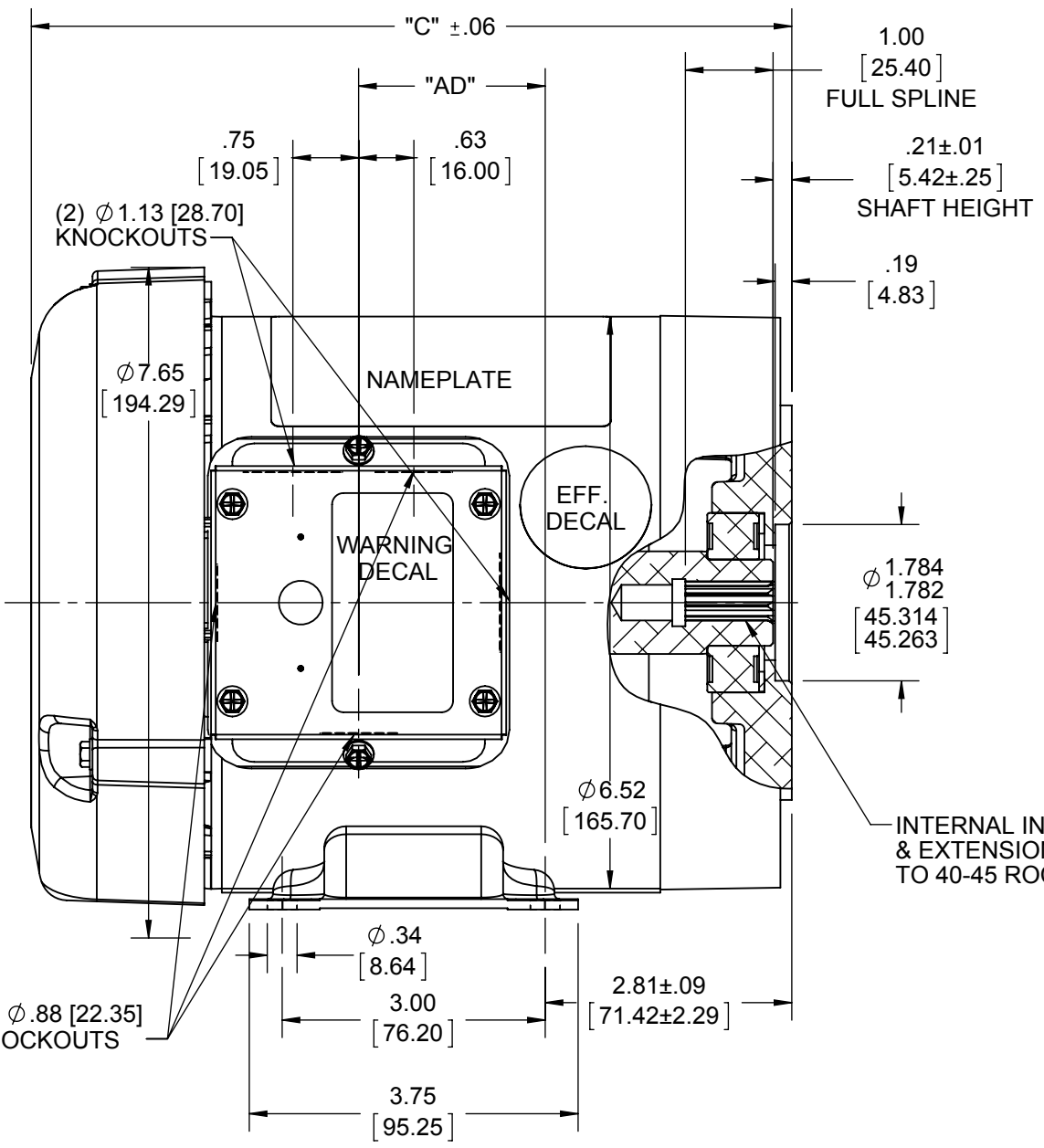


| EXTERNAL INVOLUTE SPLINE DATA | |
|-----------------------------------|-------------------------------|
| FLAT ROOT SIDE FIT -- CLASS 5 FIT | |
| NUMBER OF TEETH | 9 |
| SPLINE PITCH | 20/40 |
| PRESSURE ANGLE | 30° |
| BASE DIAMETER | .3898 [9.9009] REF |
| PITCH DIAMETER | .4500 [11.4300] REF |
| MAJOR DIAMETER | .519 [13.183] MAX |
| FORM DIAMETER | .501 [12.725] |
| MINOR DIAMETER | .405 [10.287] / .406 [10.312] |
| CIRCULAR SPACE WIDTH | |
| MAX EFFECTIVE | .0785 [1.9939] |
| MIN ACTUAL | .0825 [2.0955] |
| MAX MESAUREMENT BETWEEN PINS | ---- |
| PIN DIAMETER | ---- |
| ANSI B92.1-1996 PROVISIONS APPLY | |

B

A



BASE & MOUNTING TAPS TO BE SQUARE & PARALLEL TO EACH OTHER ±.03 [.76] MAX GASKETS THROUGHOUT

| DASH NO. | "C" | "AD" |
|----------|----------------|---------------|
| 500 | 8.67 [220.22] | 2.13 [54.10] |
| 550 | 9.17 [232.92] | 2.63 [66.80] |
| 600 | 9.67 [245.62] | 3.13 [79.50] |
| 650 | 10.17 [258.32] | 3.63 [92.20] |
| 700 | 10.67 [271.02] | 4.13 [104.90] |

| | | | | | |
|---|------------------------------|------------------|--|------------------------|---|
| DRAWING REVISION F | REVISION BY MITCH VERBICK | DATE 7/7/2014 | TOLERANCES UNLESS OTHERWISE SPECIFIED: DEC. INCH mm ANGLE ±0.5° .X ±0.1 [±2.5] .XX ±0.03 [±0.76] .XXX ±0.005 [±0.127] .XXXX ±0.0005 [±0.0127] | DRAWN BY SW | Regal Beloit America, Inc. |
| ECO ECO-0055175 | APPROVED BY | DATE | REMOVE BURRS & BREAK SHARP EDGES: .003/.015 [0.076/.381] CORNER FILLETS: .02 [51] MACHINED SURFACES: 125 INCH 3.2 mm SHOWN IN [BRACKETS] | DATE 10/21/13 | |
| ECO DESCRIPTION FIX DESCRIPTION IN TITLE BLOCK TO 4-BOLT COPYRIGHT REGAL BELOIT AMERICA, INC. ALL RIGHTS RESERVED PROPRIETARY AND CONFIDENTIAL INFORMATION - THIS DOCUMENT IS THE PROPERTY OF REGAL BELOIT AMERICA, INC. ("OWNER") AND CONTAINS OWNER'S PROPRIETARY INFORMATION. ANY PERSON, CORPORATION OR OTHER FIRM RECEIVING IT IS DEEMED, BY RECEIVING IT, TO AGREE THAT IT, AND/OR ANY PART OF IT, SHALL NOT BE DISCLOSED TO ANY PERSON, CORPORATION OR OTHER ENTITY, DUPLICATED, AND/OR USED, EXCEPT AS EXPRESSLY APPROVED IN WRITING IN ADVANCE BY OWNER. THIS DOCUMENT SHALL BE RETURNED TO OWNER UPON REQUEST. IT MAY BE SUBJECT TO CERTAIN RESTRICTIONS UNDER APPLICABLE EXPORT CONTROL LAWS AND REGULATIONS. | | | | APPROVED BY | DESCRIPTION OUTLINE T.E.F.C - RIGID - SAE AA 4-BOLT PUMP |
| | | | | REFERENCE 028784 | MATERIAL PROCESS/FINISH STOCK |
| | | | | THIRD ANGLE PROJECTION | SIZE B |
| | | | | | DRAWING NUMBER 607-0157 |
| | | | | | SHEET 1 OF 1 |

4

3

2

1