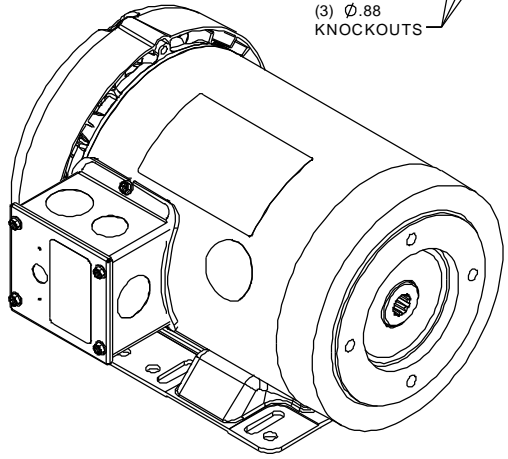
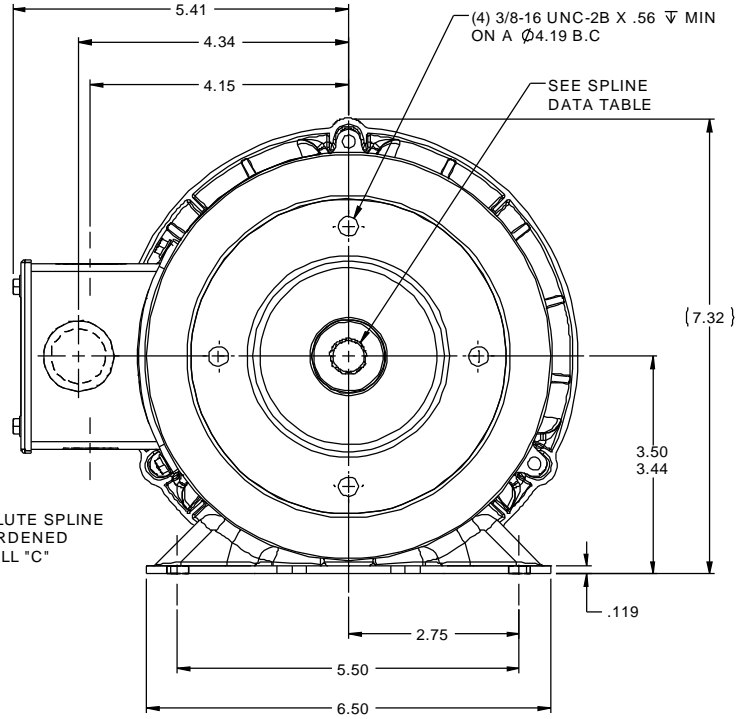
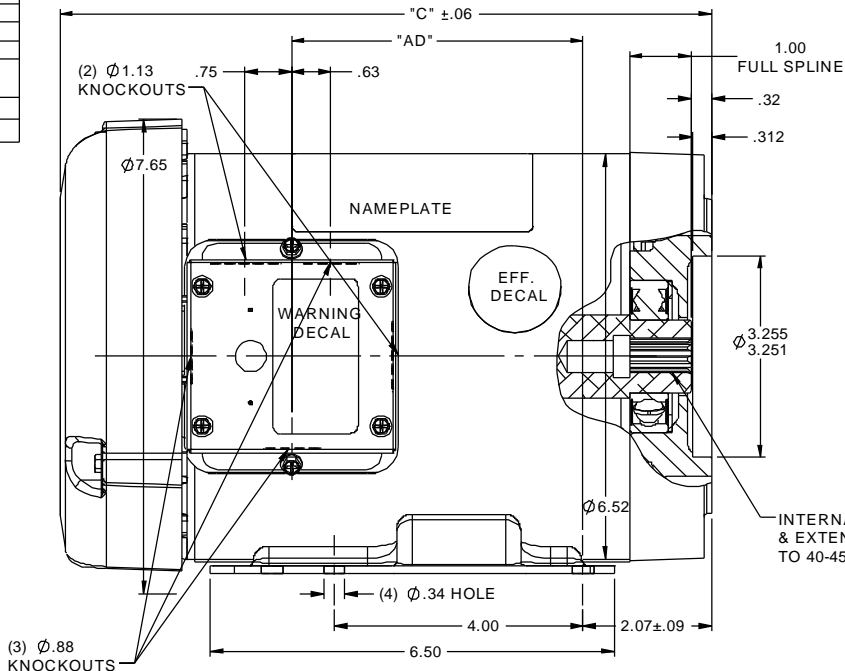


EXTERNAL INVOLUTE SPLINE DATA	
FLAT ROOT SIDE FIT -- CLASS 5 FIT	
NUMBER OF TEETH	9
SPLINE PITCH	16/32
PRESSURE ANGLE	30°
BASE DIAMETER	.4871 REF
PITCH DIAMETER	.5625 REF
MAJOR DIAMETER	.651 MAX
FORM DIAMETER	.629
MINOR DIAMETER	.509 / .514
CIRCULAR SPACE WIDTH	
MAX EFFECTIVE	.0982
MIN ACTUAL	.1008
MAX MESAUREMENT BETWEEN PINS	.399 / .401
PIN DIAMETER	Ø.108
ANSI B92.1-1996 PROVISIONS APPLY	



INTERNAL INVOLUTE SPLINE & EXTENSION HARDENED TO 40-45 ROCKWELL "C"

BASE & MOUNTING TAPS TO BE SQUARE & PARALLEL TO EACH OTHER ±.03 MAX GASKETS THROUGHOUT

DASH NO.	"C"	"AD"
700	10.50	4.69
750	11.00	5.19
800	11.50	5.69
850	12.00	6.19

		TOLERANCES UNLESS SPECIFIED		<b>Regal-Beloit Corporation</b>		DRAWN JJM 11/22/2013	
		DEC	INCHES			CHK	
		X	±.1	TITLE OUTLINE - 143Y FRAME		APPR	
		XX	±.01	T.E.F.C - RIGID - SAE A 2-BOLT PUMP		SCALE 1:4	
		XXX	±.005	MAT'L FINISH STOCK		REF 607-0157	
		XXXX	±.0005			FMF 117926	
NO	REVISION	BY & DATE	CHK LANG ±1/2°	PREV	FINISH STOCK	PAGE	OF
THIRD ANGLE PROJECTION				NETWORK FILE NAME 607-0163	SIZE B	DRAWING NO 607-0163	REV