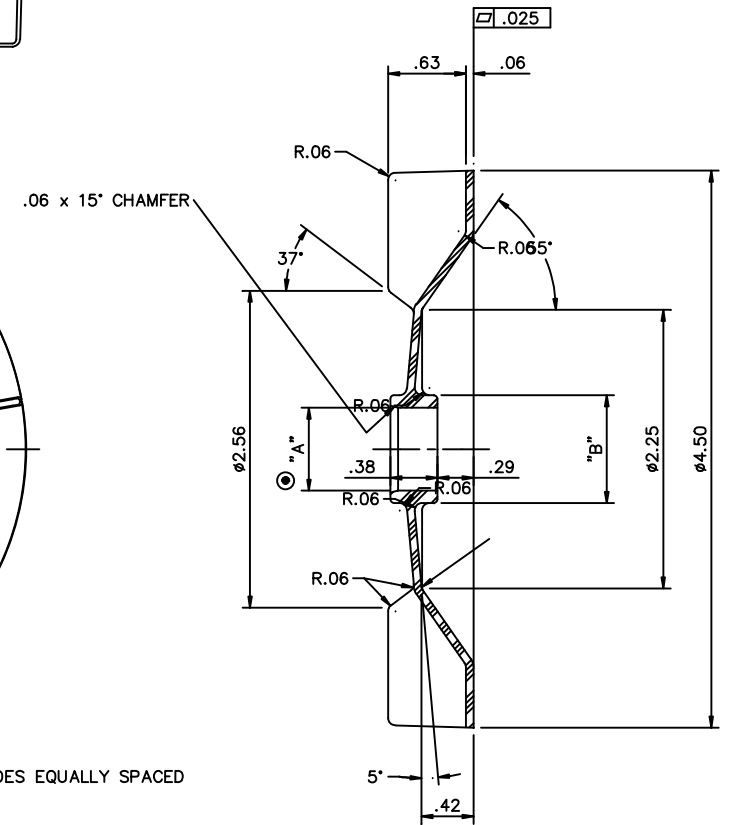
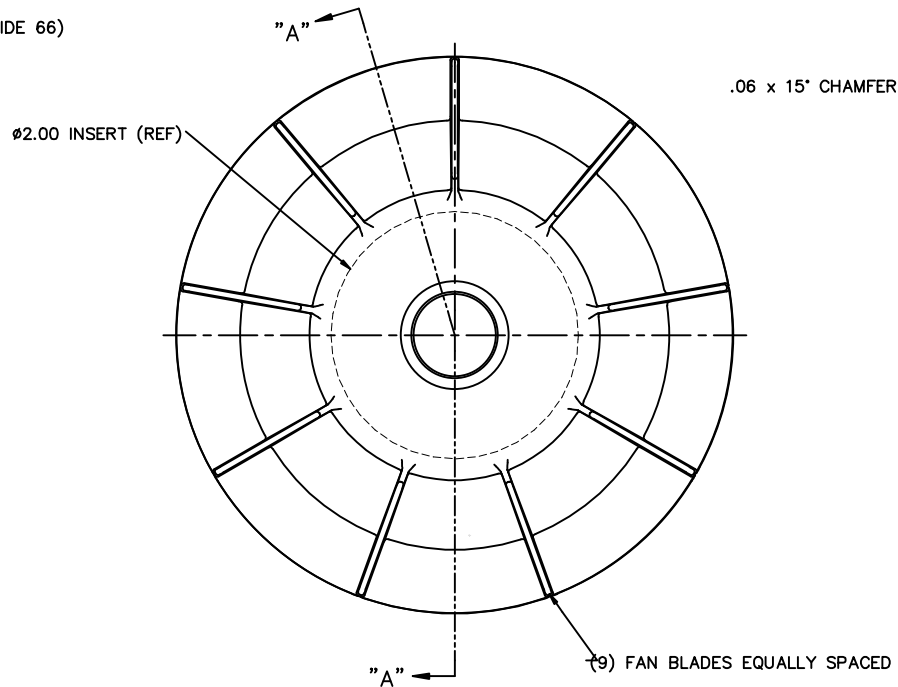
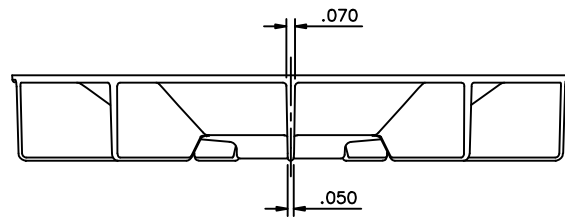


NOTES:

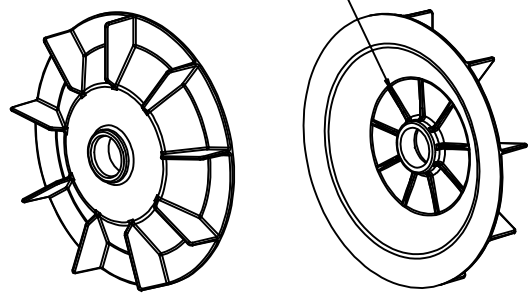
- 1) ALL RADII TO BE .03 UNLESS OTHERWISE SPECIFIED.
- 2) APPROXIMATE VOLUME = 1.390 CU. IN. (.069 LBS.)
- 3) FAN FLATNESS TO BE MEASURED AT FAN BLADES.
- 4) REF. DIA. SHAFT MUST PASS THROUGH FAN BORE WITHOUT FAN HUB CRACKING (GAGING REF.).
- 5) ALTERNATE MATERIALS:
 ZYTEL 71G-33L 33% GLASS FILLED NYLON
 GE ESPREE RYY33-4110 (GE POLYMERLAND-POLYAMIDE 66)
 ENTEC N1033HL



SECTION "A-A"

ITEM NO.	"A" DIA.	"B" DIA.	GAGING REFERENCE (MINIMUM)	ITEM REV.
01	.657/.662	.87	.675	02
02	.754/.759	.97	.772	01
03	.800/.805	1.02	.816	01
04	.972/.977	1.19	.989	01
05	1.323/1.329	1.55	1.341	01
06	.728/.733	.97	.746	01
07	1.152/1.157	1.38	1.169	--
#07 NOT TOOLED				

(9) .05 WIDE RIBS EQUALLY SPACED (IN-LINE WITH FAN BLADES)



ISOMETRIC VIEWS
SCALE: 1=2

NO.	REVISION	BY & DATE	CHK	ANG	±1/2'	FINISH	NO.	REV.			
G	ADDED ENTEC AS ALT MATERIAL IS 10-3263	MJK 07/29/10									
F	ADDED GE ESPREE RYY33-4110 MATERIAL NOW IN USE	GWS 3/23/06	PG	DEC.	INCHES						
E	ADDED "NOT TOOLED" NOTE TO ITEM #07	KMM 6/4/04	GS	.XX	±.01						
D	ITEM 01, "A" DIA. WAS .659/.664, ITEM REV. WAS 00	PG 3/3/04		.XXX	±.005						
C	ADDED ITEM #07	RDW 12/16/03		.XXXX	±.0005						
B	ADDED ITEM #06	JJK 8/28/01									
THIS DRAWING IN DESIGN AND DETAIL IS OUR PROPERTY AND MUST NOT BE USED EXCEPT IN CONNECTION WITH OUR WORK ALL RIGHTS OF DESIGN AND INVENTION ARE RESERVED THIS IS AN ELECTRONICALLY GENERATED DOCUMENT - DO NOT SCALE THIS PRINT						RFP	CAD FILE	003568	SIZE	DRAWING NO.	REV.
						DIST			B	003568	G



TITLE INTERNAL FAN
48 FRAME

DRAWN PG 3/9/01
CHK
APPD
SCALE 1=1
REF 003500, 003557
FMF STANDARD
PREV