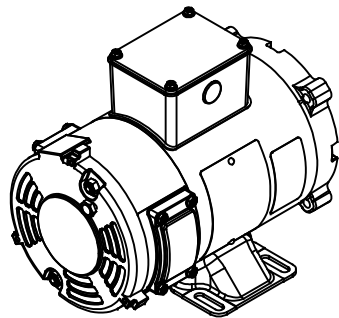
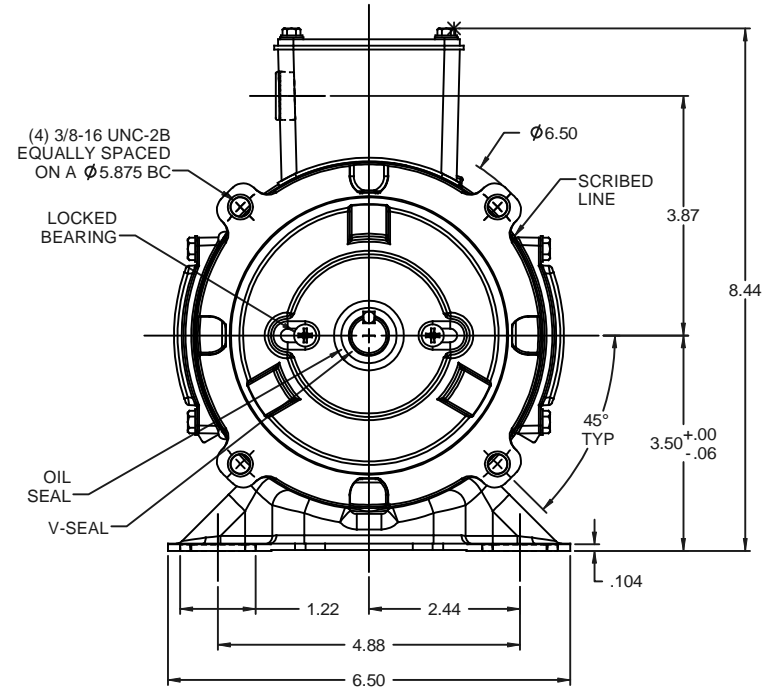
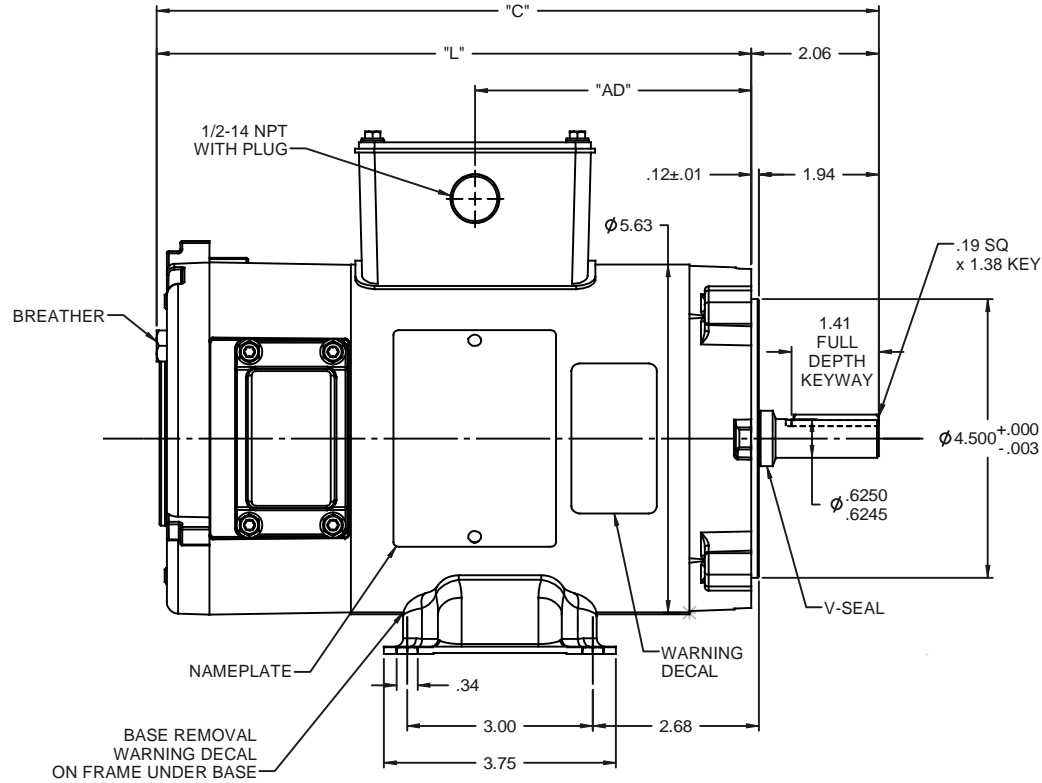


RBC PROPRIETARY AND CONFIDENTIAL INFORMATION  
 This document is the property of REGAL BELOIT CORPORATION ("RBC") including its subsidiaries and divisions and contains proprietary information of RBC. This document is loaned on the express condition that neither it nor the information contained therein shall be disclosed to others without the express written consent of RBC, and that the information shall be used by the recipient only as approved expressly by RBC. This document shall be returned to RBC upon its request. This document may be subject to certain restrictions under U.S. export control laws and regulations.



056E17V2006	14.17	12.11	6.96	180	3/4	1750
056E17V2005	14.67	12.61	7.46	90	3/4	1750
056E17V2004	13.67	11.61	6.46	180	1/2	1750
056E17V2003	13.17	11.11	5.96	90	1/2	1750
056E17V2002	11.67	9.61	4.46	90	1/3	1750
056E17V2001	10.67	8.61	3.46	90	1/4	1750
<b>CATALOG No.</b>	<b>"C"</b>	<b>"L"</b>	<b>"AD"</b>	<b>VOLTS</b>	<b>H.P.</b>	<b>RPM</b>

- NOTES:  
 1) MAXIMUM FACE RUNOUT .004 T.I.R.  
 2) MAXIMUM PILOT ECCENTRICITY .004 T.I.R.  
 3) PERMISSIBLE SHAFT RUNOUT .002 T.I.R.  
 4) GASKETS THROUGHOUT.

		TOLERANCES UNLESS SPECIFIED		MARATHON ELECTRIC		DRAWN IPG 2/19/09	
		DEC	INCHES			CHK	SK 2/19/09
		x	±.1			APPR	
		.xx	±.03	TITLE OUTLINE		SCALE	1:2
		.xxx	±.005	48 FRAME DC		REF	031900
00	RELEASED	IPG	2/19/2009	SK	xxxxx ±.0005	MATL	FMF 056E17V2006
NO	REVISION	BY & DATE	CHK	ANG	±1/2°	FINISH	PAGE OF
			RFP	PREV		SIZE	DRAWING NO
		THIRD ANGLE PROJECTION				<b>B</b>	<b>031927</b>
			NETWORK FILE NAME				REV 00