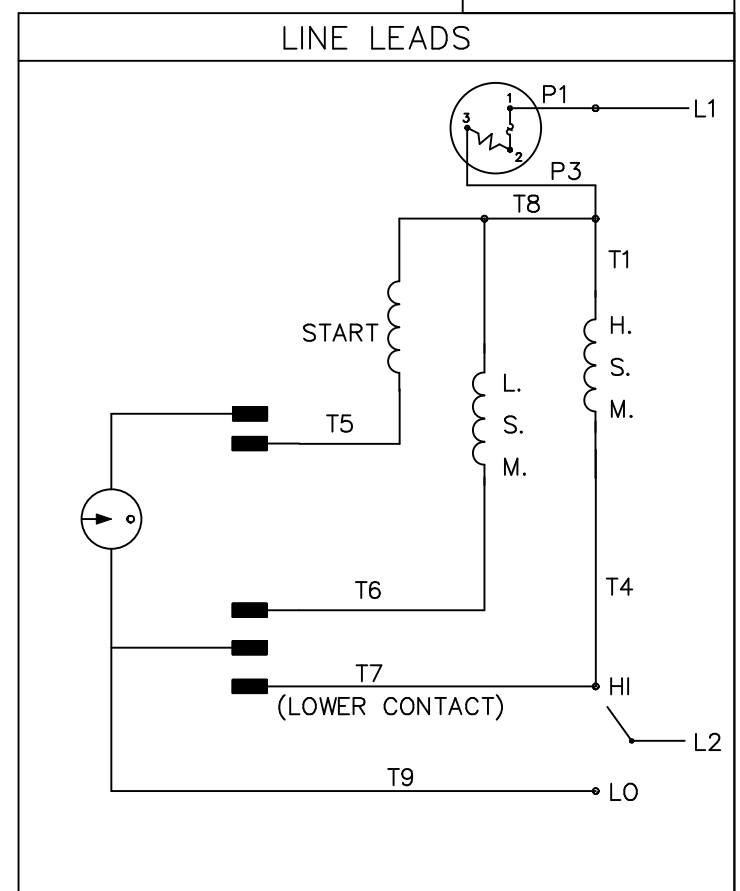
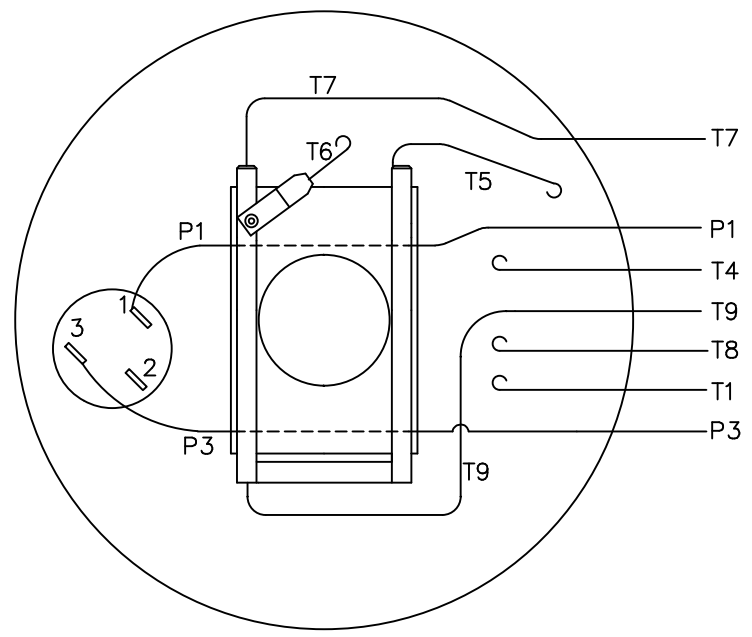


VIEW FROM OUTSIDE OF MOTOR AT SWITCH END.



ROTATION FACING LEAD END	L1	L2		JOIN & INSUL.
		HI SPEED	LOW SPEED	
C.C.W.	P1	T4,T7	T9	P3,T8,T1
C.W.	P1	T1,T7	T9	P3,T8,T4

TOLERANCES UNLESS OTHERWISE SPECIFIED
DECIMALS

LEESON ELECTRIC CORPORATION

NO.	REVISION	BY	DATE	FRACTIONS	±	SCALE
09	CORRECTED LOCATION OF T9 JUMPER ON SWITCH	KMM	01/11/07	.00	± .01	DRAWN JRW 02/19/76
08	REVISED T5 JUMPER, WAS LOOSE	DWF	03/07/00	.000	± .005	CH'K'D.
07	REDRAWN ON CAD	KH	09/24/99	.0000	± .0005	APPR. JCW 02/20/76
THIS DRAWING IN DESIGN AND DETAIL IS OUR PROPERTY AND MUST NOT BE USED EXCEPT IN CONNECTION WITH OUR WORK ALL RIGHTS OF DESIGN AND INVENTION ARE RESERVED				ANGLES	± 1/2°	REF.
				INCH/MM		FMF S63(4-6)1

TITLE		EXTERNAL WIRING DIAGRAM TYPE "S" W/ PROTECTOR	
MAT'L.		SINGLE VOLT, DUAL ROT., DUAL SPEED DECAL- 004116	
FINISH IND. BELTING	SIZE	DRAWING NO.	
145C48DC11	A	005122-01	