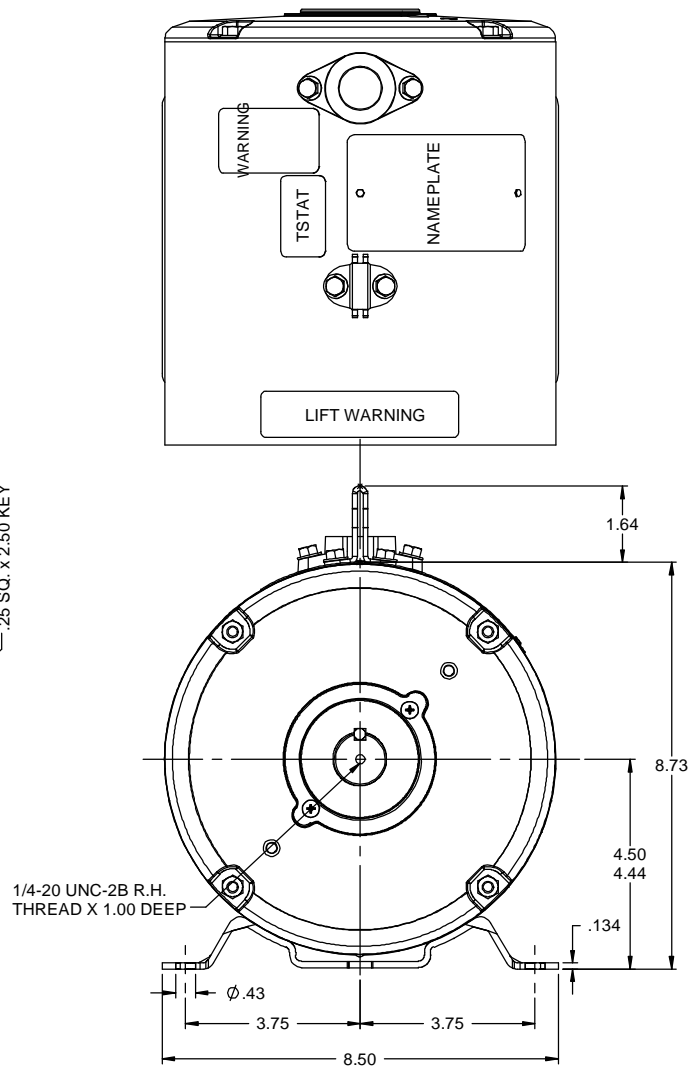
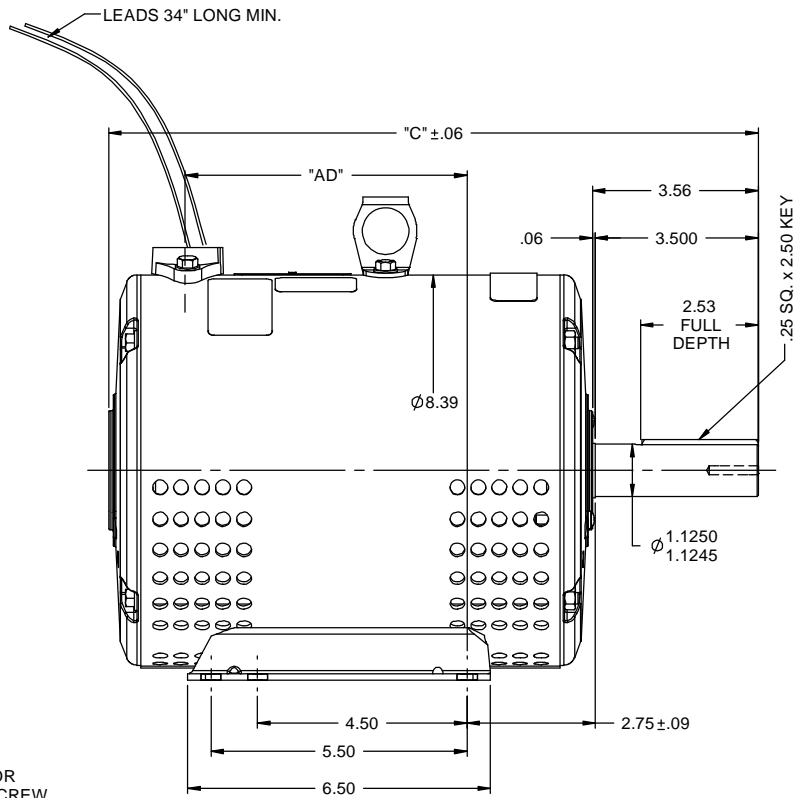
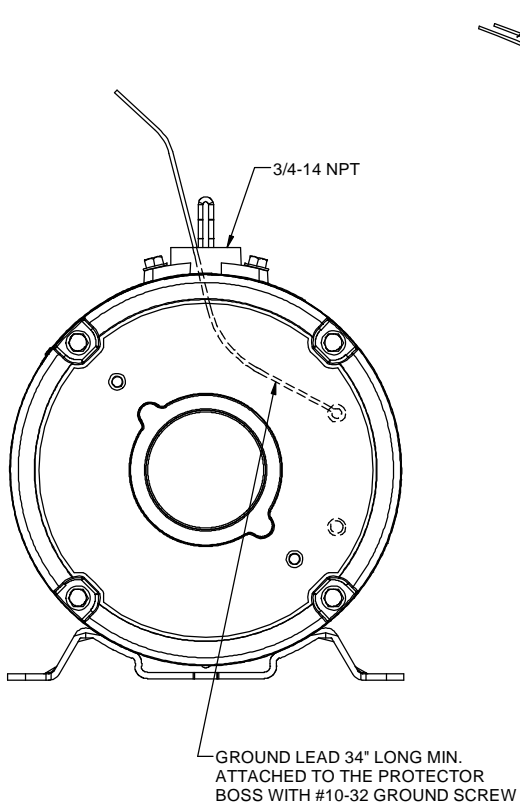


DASH NO.	"C"	"AD"
750	12.44	4.50
800	12.94	5.00
850	13.44	5.50
900	13.94	6.00
950	14.44	6.50
1000	14.94	7.00
1050	15.44	7.50
1100	15.94	8.00
1150	16.44	8.50



REVISION		BY & DATE	CHK	ANG	FINISH	PREV	SIZE	DRAWING NO	REV
02	CHANGE FRAME PER ISAAC 11-5084	LST 11/14/2011	XX	XXX	±.005				
01	ADD GROUND WIRE TO ENDBELL PER ISAAC 09-168	ZST 5/5/2009	XX	XXXX	±.0005				
TOLERANCES UNLESS SPECIFIED					REGAL-BELOIT CORPORATION				
DEC INCHES					DRAWN LST 2/19/09				
X ±.1					CHK				
XX ±.03					APPR				
TITLE OUTLINE 180TZ FRAME					SCALE 3:8				
DRIP PROOF RIGID					REF				
MATL					FMF				
FINISH					PAGE OF				
RFP					REV				
NETWORK FILE NAME 035720					B 035720 02				

