

BALDOR® • RELIANCE

Product Information Packet

ELECTRIC MOTOR WHOLESAL.COM

CDPX3420

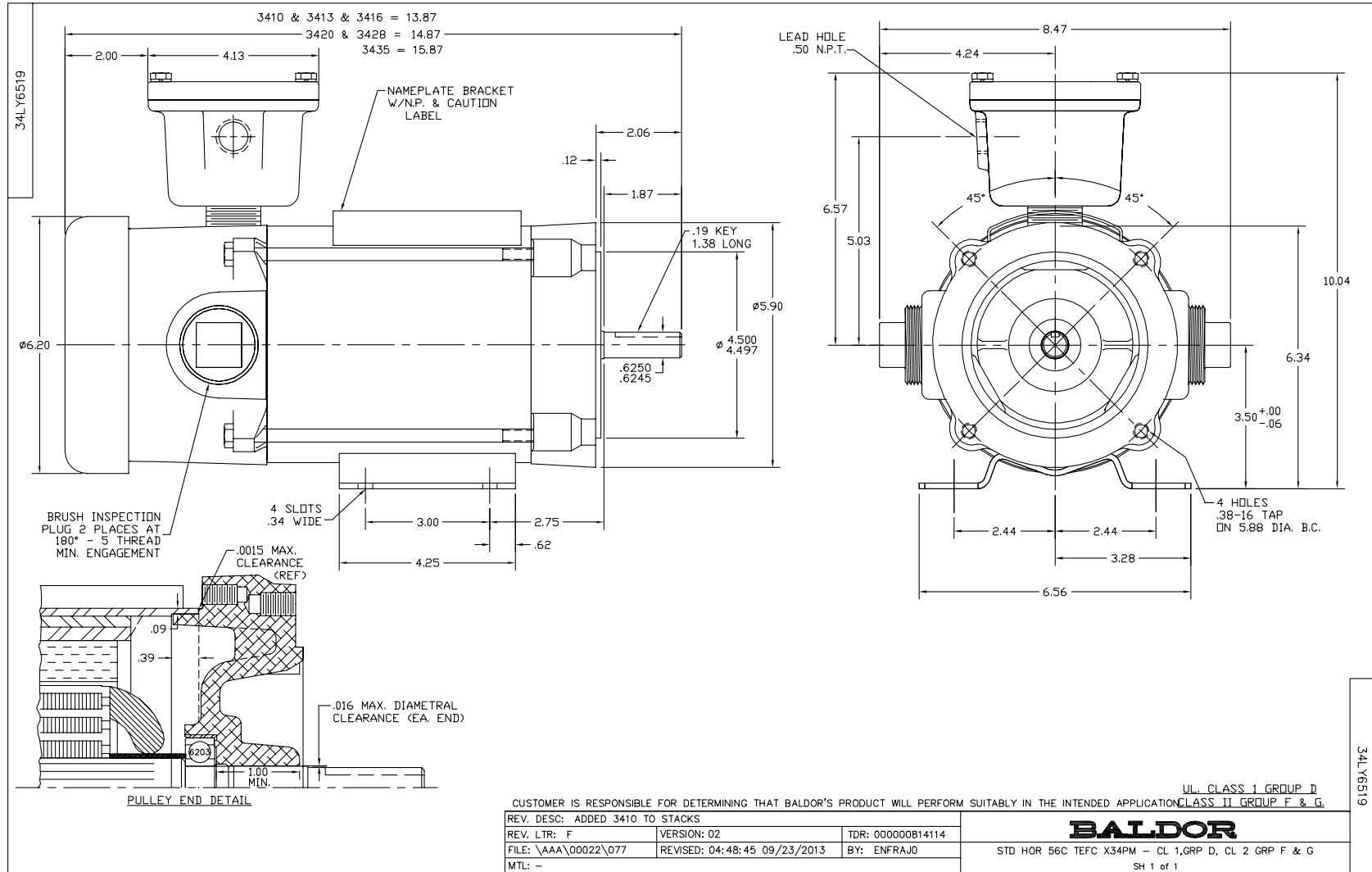
.33HP, 1750RPM, DC, 56C, X3420P, XPFC, F1

Part Detail							
Revision:	X	Status:	PRD/A	Change #:		Proprietary:	No
Type:	DC	Prod. Type:		Elec. Spec:	34WG3674	CD Diagram:	CD0194
Enclosure:	XPFC	Mfg Plant:		Mech. Spec:	34-6519	Layout:	34LY6519
Frame:	56C	Mounting:	F1	Poles:	///	Created Date:	
Base:	RG	Rotation:	R	Insulation:	F	Eff. Date:	02-06-2014
Field Type:		Literature:		Elec. Diagram:		Replaced By:	

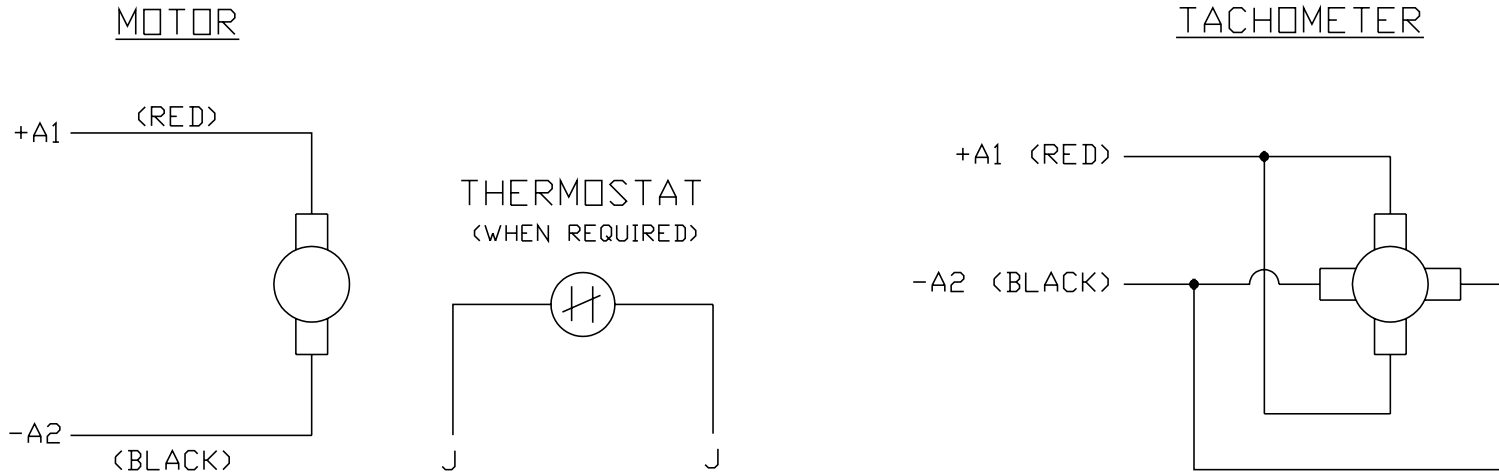
Nameplate NP0727XPSL			
NO.			
SER.			
SPEC.	34-6519-3674G1		
CAT.NO.	CDPX3420	T. CODE	T3C
HP	.33	ENCL	XPFC
RPM	1750		
FRAME	56C	TYPE	3420P
ARM V	90	ARM A	3.6
FLD V		FLD A	
INSUL	F	AMB.	40
DUTY	CONT	SUPPLY	1.5
BRG/DE	6203	BRG/ODE	6203
BRUSHES	2/BP5011CV01		
BLANK			

Parts List		
Part Number	Description	Quantity
SA005405	SA 34-6519-3674G1	1.000 EA
AA003054	AA 34-6519-3674G1	1.000 EA
BP5011CV01SP	CARBON BRUSH - 33P, 180V	1.000 EA
MJ5000A01	SEALANT, CHICO A COMPOUND	0.050 LB
11XW1032G06	10-32 X .38, TAPTITE II, HEX WSHR SLTD U	1.000 EA
HW3001B01	003SS CUP WASHER, FOR #8 SCREW	1.000 EA
HW1003A10	WASHER, #10 EX TH LK, ZN X	1.000 EA
35CB3001A01SP	EXPL CONDUIT BOX, MACH, 1/2" PIPE TAP LE	1.000 EA
51XW0832A07	8-32 X .44, TAPTITE II, HEX WSHR SLTD SE	4.000 EA
34EP2700A01	SPL FR.E.P. X34DC	1.000 EA
HW4030A01	1-1/2" N.P.T. PIPE PLUG W/SQ.HEAD	2.000 EA
HW3021E06	1/8 DIA X 5/8 ROLLPIN (F/S)	1.000 EA
HW4002A02	1-11.5X2LG PIPE NIPPLE (F/S)	1.000 EA
HW5100A03SP	WAVY WASHER (W1543-017)	1.000 EA
34EP3705A01SP	PU ENDPLATE, MACH	1.000 EA
34FN3002A01SP	EXTERNAL FAN, PLASTIC, .637/.639 HUB W/	1.000 EA
34FH4002A01	IEC FH NO GREASER	1.000 EA
51XW1032A06	10-32 X .38, TAPTITE II, HEX WSHR SLTD S	3.000 EA
35CB3500A01SP	CONDUIT BOX LID, MACH	1.000 EA
51XN2520A16	SCREW, HEX WS SLT, ZN, 1/4-20 X 1.00	4.000 EA
HW2501D13SP	KEY, 3/16 SQ X 1.375	1.000 EA
HA7000A04	KEY RETAINER 0.625 DIA SHAFTS	1.000 EA
NP0018	NP- XP CONDUIT BOX DO NOT MAKE SELLABLE	1.000 EA
HW1025A10	#10 BALANCE WASHER (SPL)	2.000 EA

Parts List (continued)		
Part Number	Description	Quantity
MG1025G29	MUNSELL 4.5Y 5.3/0.7 DARK CHARCOAL GREY	0.014 GA
NP0731	NAMEPLATE, CAUTION FOR DC EXPLOSION PROO	1.000 EA
85XU0407A04	#4-7 X 1/4 DRIVE PIN	6.000 EA
ML14A1B14	14 AWG,A1,BLACK	8.500 IN
ML14A2B14	14 AWG,A2,BLACK	8.500 IN
34RK5004	ROCKERARM ASSY 34PM W/TP1515A01 T'STAT	1.000 EA
HA3104A03	THRUBOLT 5/16-18 X 7.625 W QTE#457	4.000 EA
MN416A01	TAG-INSTAL-MAINT no wire. (100/bx) 8/12	1.000 EA
LB1119N	WARNING LABEL	1.000 EA
LB1125C01	STD (STOCK) CARTON LABEL BALDOR WITH FLA	1.000 EA
LB1161	LABEL,THERMOSTAT (ROLL LABEL)	1.000 EA
LC0194	CONNECTION LABEL	1.000 EA
NP0727XPSL	SS XP DC UL CSA CC CL-I GP-D CL-II GP-F&	1.000 EA
35PA1007	PACKAGING GROUP	1.000 EA



CD0194



NOTES:

1. CCW ROTATION AS SHOWN FACING COMMUTATOR END. TO REVERSE MOTOR ROTATION OR TACHOMETER OUTPUT POLARITY INTERCHANGE LEADS A1(RED) & A2(BLACK)
2. LEAD COLORS FOR REFERENCE ONLY & NOT SPECIFIED BY THIS DRAWING. LEAD COLORS SPECIFIED BY LAYOUT DRAWING & BILL OF MATERIAL ONLY.

MATL: -			
REV: E	ADDED NOTE "LEAD COLORS FOR REFERENCE ONLY &..."		
761000	SCALE: -	BY: CK	REVISED: 07/28/95
	FILE: AAA00004503		TDR: 0078737

BALDOR ELECTRIC Co.

CD TYPE P DC PERMANENT MAGNET MOTORS AND TACHOMETERS

CD0194