

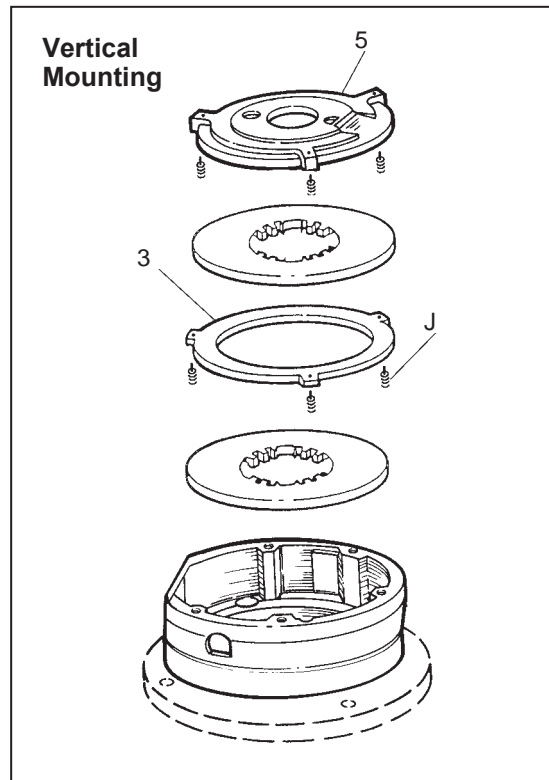
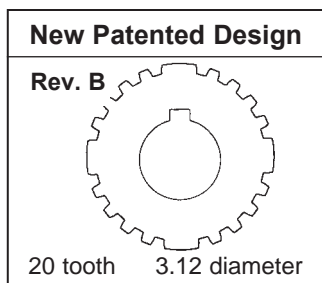
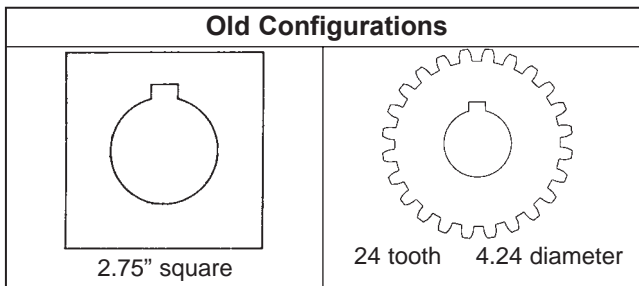
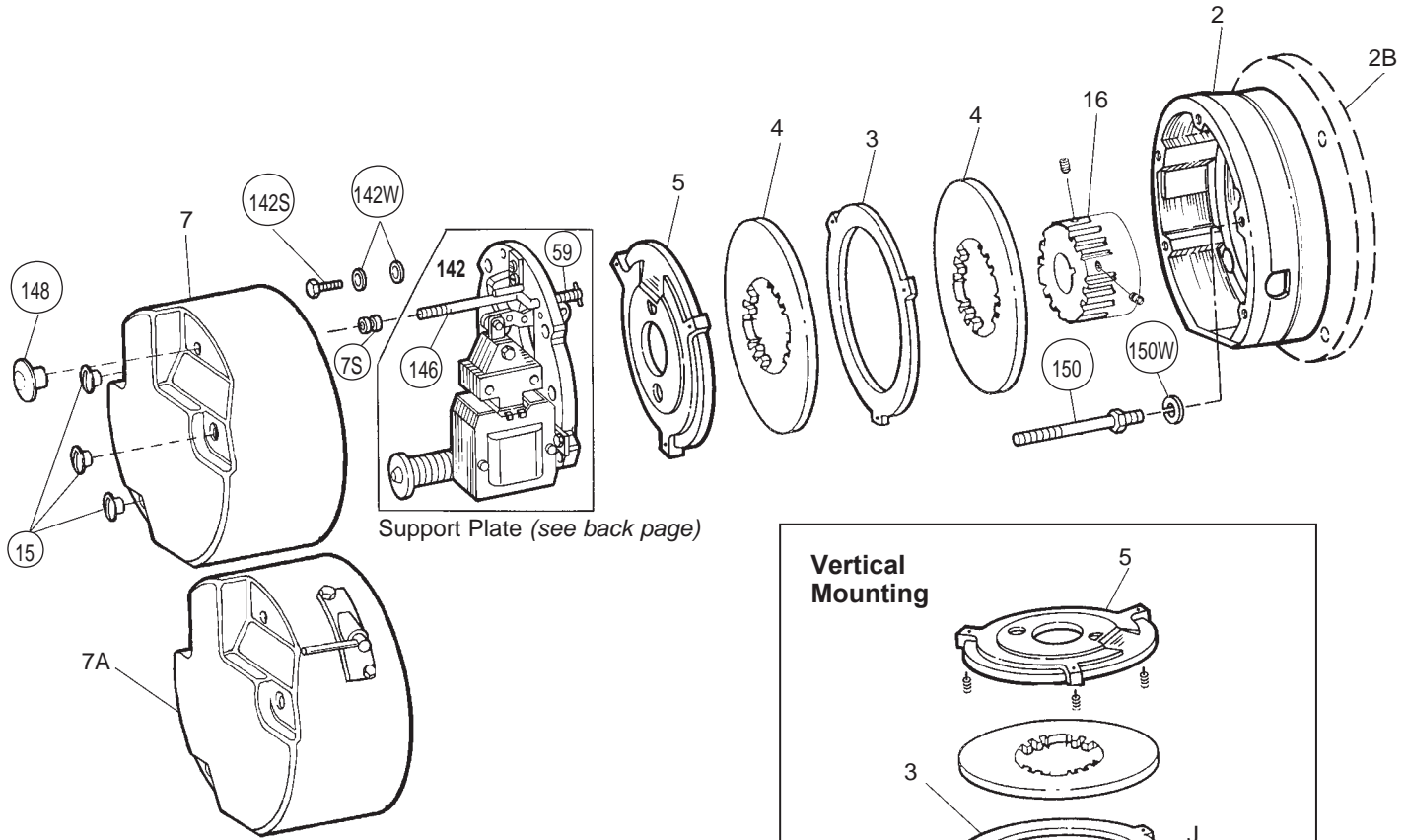
Information required when ordering replacement parts:

[BACK TO PRODUCT PAGE](#)

- Give part number of parts or kits needed, brake model number, and brake serial number. The brake model and serial number may identify special brakes not covered by this parts list.
- Description items in ***CAPITALIZED BOLD ITALICS*** are recommended spare parts. One set per 5 brakes in service is recommended.
- For 87,100 Series see Table 2.

Circled items are contained in kit Item A, Table 4.

For installation and service instructions, see P/N 8-078-937-06. Detailed service instruction sheet is included with each kit.



Stearns®	
SEE INSTALLATION AND SERVICE SHEET OR INSTALLATION LABEL INSIDE OF HOUSING BEFORE INSTALLING, OPERATING OR SERVICING BRAKE.	
Model number 108705100EQB B	Rev. B
Torque lb-ft	Serial number
Volts	Mounting
	Amps inrush
	Hertz
	Amps holding
Rexnord Industries, LLC, Stearns Division Cudahy, WI 53110 (414) 272-1100	
LR 6254	

Note:
MODEL NUMBER will appear on brake nameplate.
REVISION CONTROL (if applicable) and brake serial number

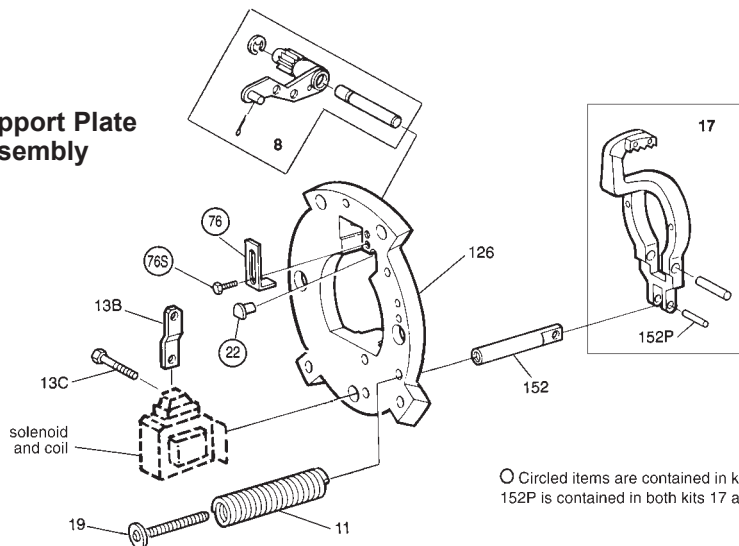
N2 = NEMA 2
N4 = NEMA 4

TABLE 1: Components Of AC Brake

Item	Description	Part Number ↓	Torque (lb-ft)		6		10		15		25		35		50		75		105							
			2	4	4	2	4	4	2	4	4	2	4	4	2	4	4	2	4	4	2	4	4			
NEMA Enclosure			2	4	4	2	4	4	2	4	4	2	4	4	2	4	4	2	4	4	2	4	4			
Brake Model number →			1-087-001-00	1-087-002-00	1-087-004-00	1-087-011-00	1-087-012-00	1-087-014-00	1-087-021-00	1-087-022-00	1-087-024-00	1-087-031-00	1-087-032-00	1-087-034-00	1-087-041-00	1-087-042-00	1-087-044-00	1-087-051-00	1-087-052-00	1-087-054-00	1-087-061-00	1-087-062-00	1-087-064-00	1-087-081-00	1-087-082-00	1-087-084-00
A	HARDWARE KIT	5-66-1007-01 5-66-1007-02 5-96-1007-02	1	1	1	1	1	1	1	1	1	1	1	1	1	1	1	1	1	1	1	1	1	1	1	
2	Endplate, aluminum, 1 disc, N2 Endplate, aluminum, 2 disc, N2 Endplate, aluminum, 3 disc, N2 Endplate/seal, aluminum, 1 disc, N4 Endplate/seal, aluminum, 2 disc, N4 Endplate/seal, aluminum, 3 disc, N4	5-02-7004-01-30F 5-02-7005-01-30F 5-02-7006-01-30F 5-22-7066-00-30F 5-22-7067-00-30F 5-22-7068-00-30F	1		1			1			1			1			1			1			1		1	
2	Endplate/seal, cast iron, 1 disc, N4 Endplate/seal, cast iron, 2 disc, N4 Endplate/seal, cast iron, 3 disc, N4	5-22-7061-00-30F 5-22-7063-00-30F 5-22-7065-00-30F		1			1			1			1			1			1						1	
Not Shown	Gasket and seal kit, aluminum, N4 Gasket and seal kit, cast iron, N4 Drain plug, cast iron, N4	5-66-1271-01 5-66-1271-02 9-33-0325-00		1	1		1	1		1	1		1	1		1	1		1	1		1	1	1		
3	STATIONARY DISC (HOR.-VERT.)	5-66-8372-00													1	1	1	1	1	1	1	2	2	2		
4	FRICITION DISC KIT, STANDARD FRICITION DISC KIT, SPECIAL DUTY	5-66-8483-00 8-004-729-00	1	1	1	1	1	1	1	1	1	1	1	1	2	2	2	2	2	2	3	3	3	3		
5	PRESSURE PLATE (HOR.-VERT.)	5-66-8571-00	1	1	1	1	1	1	1	1	1	1	1	1	1	1	1	1	1	1	1	1	1	1		
7	Housing (front pull), steel, N2 Housing (front pull), steel, N4 Housing (front pull), cast iron, N2/4	5-07-7059-00 5-07-7057-00 5-07-7060-00	1	1	1	1	1	1	1	1	1	1	1	1	1	1	1	1	1	1	1	1	1	1		
7A	Housing (side rel), steel, N2 Housing (side rel), cast iron, N2/4	5-07-7052-00 5-07-7036-09	1	1	1	1	1	1	1	1	1	1	1	1	1	1	1	1	1	1	1	1	1	1		
16	Hub and set screw, 1 disc Hub and set screw, 2 disc Hub and set screw, 3 disc	5-16-7201-00* 5-16-7202-00* 5-16-7203-00*	1	1	1	1	1	1	1	1	1	1	1	1	1	1	1	1	1	1	1	1	1	1		
142	Support plate assembly Support plate assembly Support plate assembly Support plate assembly Support plate assembly	5-42-7089-00** 5-42-7091-00** 5-42-7093-00** 5-42-7095-00** 5-42-7097-00**	1	1	1	1	1	1	1	1	1	1	1	1	1	1	1	1	1	1	1	1	1	1		
J	VERTICAL SPRING KIT (STANDARD) VERTICAL SPRING KIT (BRASS)	5-66-3176-00 5-66-3177-00	1	1	1	1	1	1	1	1	1	1	1	1	1	1	1	1	1	1	1	1	1	1		
Not Shown	Brass stationary disc (horizontal-vertical) Brass pressure plate (horizontal-vertical)	8-003-704-04 8-005-703-12	1	1	1	1	1	1	1	1	1	1	1	1	1	1	1	1	1	1	1	2	2	2		
VERTICAL BELOW-CAST IRON-NEMA 4 ONLY																										
2	Endplate & seal assembly 1 disc (cast iron) 2 disc (cast iron) 3 disc (cast iron)	5-22-7072-00-30F 5-22-7073-00-30F 5-22-7074-00-30F		1		1			1			1			1			1							1	

*Bore diameter or full model number must be given when ordering.
**Coil is separate, consult factory for support plate assembly part number with the side release option.

Support Plate Assembly



○ Circled items are contained in kit Item A.
152P is contained in both kits 17 and 152

TABLE 2: For 284UC and 286UC or TC Frame NEMA "C" Flange

Item No.	Description	Part No.	Used on Models
2B	Endplate For use with sheet metal housing	8-002-909-02-30F	1-087-151-00, 1-087-155-00, 1-087-161-00 & 1-087-165-00
	Endplate For use with sheet metal housing	8-002-910-02-30F	1-087-181-00 & 1-087-185-00
	Endplate and*** oil seal assembly	5-22-7078-00-30F	1-087-152-00, 1-087-156-00, 1-087-162-00 & 1-087-166-00
	Endplate and*** oil seal assembly	5-22-7079-00-30F	1-087-182-00 & 1-087-186-00

***For vertical below endplate consult the factory.

TABLE 3: Components of Support Plate and Coil Assembly

Item	Description	Part Number	Torque			
			6 10	15	25 50	35 75 105
126	Support plate and bearing assembly Support plate and bearing assembly	5-26-7007-00 5-26-7008-00	1	1	1	1
8 17 19 & 152	SOLENOID LEVER AND PINION KIT Lever arm kit Pressure spring tube kit	5-66-7371-00 5-66-7271-00 5-66-7471-00	1 1 1	1 1 1	1 1 1	1 1 1
11	Pressure spring kit - black Pressure spring kit - white Pressure spring kit - orange Pressure spring kit - purple	5-66-3072-00 5-66-3074-00 5-66-3076-00 5-66-3078-00	1	1	1	1
AC Brakes						
U	NO. 5 SOLENOID KIT NO. 6 SOLENOID KIT NO. 8 SOLENOID KIT	5-66-5051-00 5-66-5061-00 5-66-5081-00	1	1	1	1
13B	Solenoid link Solenoid link	8-013-703-00 8-013-704-00	1	1	1	1
13C	Solenoid link cap screw Solenoid link cap screw Solenoid link cap screw	8-157-701-00 8-157-702-00 8-157-703-00	1	1	1	1
V	No. 5 Coil kit 60 Hz	115/230 Vac 230/460 Vac 115 Vac 230 Vac 460 Vac 575 Vac	5-66-6507-33 5-66-6509-33 5-66-6501-33 5-66-6502-33 5-66-6504-33 5-66-6505-33	1 1 1 1 1 1		

Item	Description	Part Number	Torque			
			6 10	15	25 50	35 75 105
V	No. 6 Coil kit 60 Hz	115/230 Vac 230/460 Vac 115 Vac 230 Vac 460 Vac 575 Vac	5-66-6607-33 5-66-6609-33 5-66-6601-33 5-66-6602-33 5-66-6604-33 5-66-6605-33	1 1 1 1 1 1	1 1 1 1 1 1	
	No. 8 Coil kit 60 Hz	115/230 Vac 230/460 Vac 115 Vac 230 Vac 460 Vac 575 Vac	5-66-6807-33 5-66-6809-33 5-66-6801-33 5-66-6802-33 5-66-6804-33 5-66-6805-33			1 1 1 1 1 1
XX	Brake release interlock switch	5-57-5528-00	1	1	1	1
DC Brakes						
W	Electronic DC Switch Kit	24/28 Vdc 115 Vdc 230 Vdc	5-57-5712-07 5-57-5716-07 5-57-5717-07	1 1 1	1 1 1	1 1 1
W	No. 5 Coil assembly	115 Vdc 230 Vdc	5-96-6516-33 5-96-6517-33	1 1		
	No. 6 Coil assembly	115 Vdc 230 Vdc	5-96-6616-33 5-96-6617-33	1 1	1 1	
	No. 8 Coil assembly	115 Vdc 230 Vdc	5-96-6816-33 5-96-6817-33			1 1

Solenoid and Coil

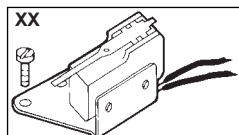
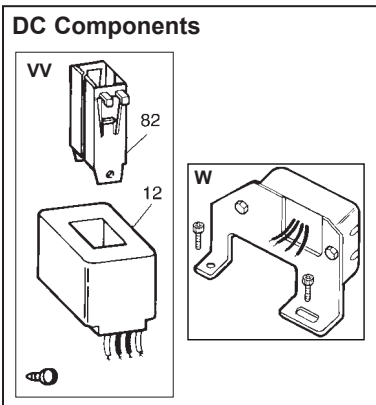
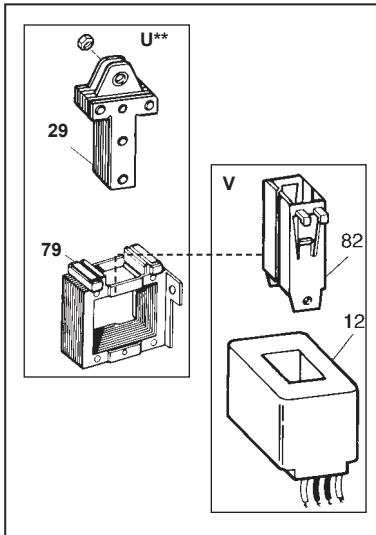


TABLE 4: Contents of Kits and Assemblies (contents may vary)

Item	Kit Description
A	Hardware kit (5-66-1007-01) 2 - External lead wire plugs 1 - Wrap spring stop 2 - Wrap spring stop screws 1 - Solenoid lever stop 3 - Support plate screws 3 - Support plate conical spring washers 3 - Support plate flat washers 3 - Housing studs 3 - Housing stud lock washers 3 - Housing nuts 1 - Release rod 1 - Release rod spring 1 - Release spring retainer 1 - Housing grommet 1 - Release knob
	Gasket and seal kit (5-66-1271-0X) 1 - Endplate oil seal 1 - Housing seal 3 - Housing nut gaskets 1 - Housing to endplate gasket 3 - Endplate rubber plugs (-01 only) 1 - Manual release gasket (-01 only)
3	Stationary disc kit (5-66-8372-00) 1 - Stationary disc (horizontal or vertical)
4	Friction disc kit - splined (5-66-8483-00) 1 - Friction disc - splined
5	Pressure plate kit (5-66-8571-00) 1 - Pressure plate (horizontal or vertical)
J	Vertical spring kit (5-66-317X-00) 15 - Vertical above mounting springs
8	Solenoid lever and pinion kit (5-66-737X-00) 1 - Solenoid lever & pinion assembly 1 - Cotter pin 1 - Solenoid lever pivot pin 1 - Pivot pin retaining ring

Item	Kit Description
17	Lever arm kit (5-66-7271-00) 1 - Lever arm assembly 1 - Lever arm pivot pin 1 - Spring tube pivot pin
19 & 152	Pressure spring tube kit (5-66-7471-00) 1 - Pressure spring tube 1 - Pressure spring screw 1 - Spring tube pivot pin
11	Pressure spring kit (5-66-307X-00) 1 - Pressure spring
U	Solenoid kit (5-66-50X1-00) 1 - Plunger 1 - Frame 3 - Solenoid mounting screws 3 - Solenoid mounting conical spring washers 1 - Solenoid link nut
V	Coil kits (5-66-6XXX-33) AC coils 1 - Coil 2 - Plunger guides 3 - Solenoid mounting screws
VV	Coil assembly (5-96-6XXX-33) DC coils 1 - Coil 2 - Plunger guides 4 - Wire fasteners 3 - Solenoid mounting screws
W	DC switch kit (5-57-57XX-07) 1 - Switch 1 - Mounting bracket 2 - Support plate mounting screws 2 - Switch mounting screws 2 - Nuts 3 - Crimp connectors
XX	AC switch assembly (5-57-5528-00) 1 - Microswitch 1 - Mounting bracket 2 - Lead wire assemblies 2 - Mounting bracket screws 2 - Nuts 2 - Support plate screws 1 - Actuator arm 1 - Actuator arm mounting bolt 1 - Actuator arm nut



Rexnord Industries, LLC
Stearns Division
5150 S. International Drive
Cudahy, Wisconsin 53110
(414) 272-1100 Fax: (414) 277-4364 www.stearns.rexnord.com

