

Information required when ordering replacement parts:

- Give Part Number of parts needed, Brake Model Number and Brake Serial Number. The Brake Model and Serial Number may identify special brakes not covered by this parts list.
- When ordering hubs, specify shaft diameter (hub bore) and keyway.
- Enclosures are designated as follows:
 O = Standard
 E = Dust-tight, waterproof (DTWP)

General Information

- For 86,100-02 see Table 1A.
- For vertical details consult factory.

[BACK TO PRODUCT OVERVIEW](#)

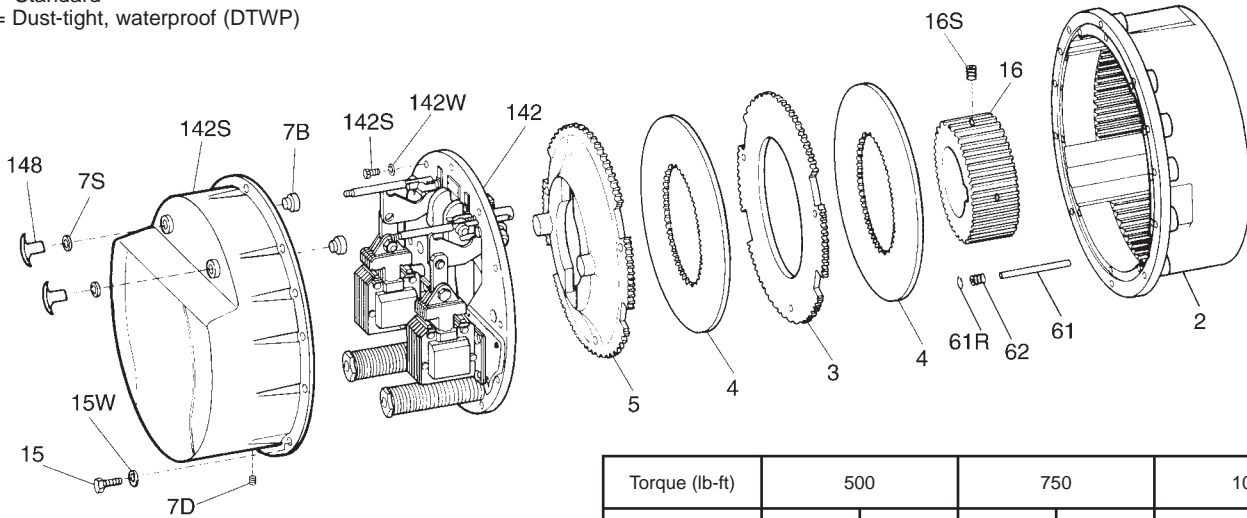


TABLE 1:
 Components of Standard Horizontal
 AC or DC Units

Item No.	Description	Part Number ↓	Torque (lb-ft)		500		750		1000					
			Current		AC		DC		AC		DC			
			O	E	O	E	O	E	O	E	O	E		
2	Endplate	8-002-662-03	1		1		1		1		1		1	
2S	Endplate and oil seal assembly Seal (component of endplate and seal assembly)	5-22-6605-00 9-02-0083-00		1		1		1		1		1		1
3	Stationary disc	8-003-661-01	1	1	1	1	2	2	2	2	3	3	3	3
4	Friction disc	5-66-8464-00	2	2	2	2	3	3	3	3	4	4	4	4
5	Pressure Plate	8-005-663-01	1	1	1	1								
	Pressure Plate	8-005-663-02					1	1	1	1				
	Pressure Plate	8-005-663-03									1	1	1	1
7	Housing, bearing and seal assembly	5-07-6602-00	1	1	1	1	1	1	1	1	1	1	1	1
7B	Housing bearing (component of Item 7)	8-021-663-00	2	2	2	2	2	2	2	2	2	2	2	2
7D	Pipe plug (drain)	9-33-0332-00	1	1	1	1	1	1	1	1	1	1	1	1
7S	Housing seal (component of Item 7)	9-02-0020-00	2	2	2	2	2	2	2	2	2	2	2	2
15	Cap screw (housing) socket head 5/16 - 18 x 1"	9-17-3116-00	12	12	12	12	12	12	12	12	12	12	12	12
15W	Lock washer (housing) spring 5/16" H.C.	9-45-1331-00	12	12	12	12	12	12	12	12	12	12	12	12
16	Hub and set screw assembly	5-16-6101-00	1		1				1					
	Hub and set screw assembly	5-16-6103-00					1				1			
	Hub and set screw assembly	5-16-6105-00									1			1
	Hub and set screw assembly	5-16-6102-00												
	Hub and set screw assembly	5-16-6104-00												
	Hub and set screw assembly	5-16-6106-00												1
61	Centralizing pin	8-061-663-00	3	3	3	3								
	Centralizing pin	8-061-662-00					3	3	3	3				
	Centralizing pin	8-061-661-00									3	3	3	3
61R	Retaining ring (centralizing pin)	9-03-0028-00	3	3	3	3	3	3	3	3	3	3	3	3
62	Centralizing spring	9-70-1304-00	6	6	6	6	9	9	9	9	12	12	12	12
69	Gasket (housing to endplate) (not shown)	8-069-661-00		1		1		1		1		1		1
140	Leadwire bushing (endplate) (not shown) (internal connection only)	8-140-602-00	2	2	2	2	2	2	2	2	2	2	2	2
142	Support plate assembly (AC) (less coils) (see Table 2)	5-42-6621-00	1	1			1	1			1	1		
	Support plate assembly (DC) (less coils) (See Table 2)	5-42-6622-00			1	1			1	1			1	1
142S	Cap screw (support plate) socket head 1/4-20 x 1-1/4"	9-17-5020-00	12	12	12	12	12	12	12	12	12	12	12	12
142W	Spring conical washer (support plate) 1/4 I.D. x 9/16 O.D.	9-46-0006-00	12	12	12	12	12	12	12	12	12	12	12	12
14B	Release knob	8-148-804-00	2	2	2	2	2	2	2	2	2	2	2	2
Floor Mounting														
34	Floor stand kit (comprised of floor stand and cap screws)	5-55-6021-00	1	1	1	1	1	1	1	1	1	1	1	1
Shaft through Housing														
7	Housing, bearing and seal assembly	5-07-6604-00		1		1		1		1		1		1
24	Shaft bushing (specify bore)	8-024-601-01		1		1		1		1		1		1
24L	Set screw (shaft bushing)	9-22-1004-00		2		2		2		2		2		2
24S	Shaft seal (component of Item 7)	9-02-0080-00		1		1		1		1		1		1

*See page 7 for Table 1A
 Variable Endplate.

TABLE 1A:

Endplate (only variable) for 86, 100-02 AC or DC Units (for mounting on NEMA C-face of motor frames 504UC, 505C, 504SC and 505SC)

Item No	Description	Part Number	Models Used On
A	Endplate Endplate and oil seal assembly	8-002-662-06 5-22-6611-00	1-086-1X1-02 and 1-086-1X5-02 1-086-1X2-02 and 1-086-1X6-02

Note: Term *left* or *right* applies when looking at support plate assembly from outboard face.

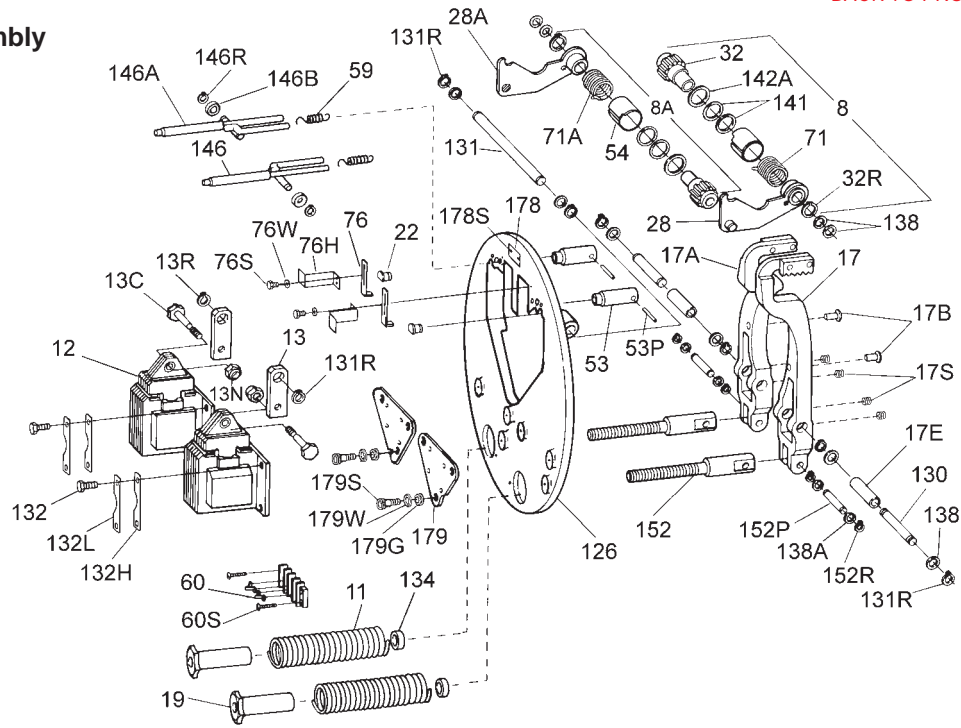
TABLE 2:

Components of Support Plate Assemblies

Item No.	Description	Part Number ↓	Current	AC	DC
			Assembly Part Number →	5-42-6621-00	5-42-6622-00
8	Solenoid lever and pinion assembly (<i>right hand</i>) (comprised of Items 28, 32, 32R, 54, 71, 141 & 141A)	5-66-7321-00		1	1
8A	Solenoid lever and pinion assembly (<i>left hand</i>) (comprised of Items 28A, 32, 32R, 54, 71A 141 & 141A)	5-66-7361-00		1	1
11	Pressure spring (<i>red</i>)	9-70-5801-00		2	2
12	Solenoid assembly	see Table 3		2	2
13	Solenoid link/bearing assembly	5-55-6001-00		1	1
13C	Cap screw (<i>solenoid link</i>)	8-157-703-00		2	2
13N	Nut (<i>solenoid link</i>)	9-40-3732-00		2	2
17	Lever arm assembly (<i>right hand</i>)	5-17-6601-00		1	1
17A	Lever arm assembly (<i>left hand</i>)	5-17-6602-00		1	1
17B	Pressure button	9-25-1908-00		2	2
17E	Eccentric sleeve (<i>lever arm</i>)	8-054-201-00		2	2
17S	Set screw (<i>lever arm</i>) 1/4 - 20 x 1/4"	9-20-3004-00		4	4
19	Pressure spring nut	8-019-201-00		2	2
22	Solenoid lever stop	8-022-603-00		2	2
28	Solenoid lever (<i>right hand</i>) (component of Item 8)			1	1
28A	Solenoid lever (<i>left hand</i>) (component of Item 8)			1	1
32	Pinion (components of Items 8 and 8A)			2	2
32R	Retaining ring (component of items 8 and 8A)			2	2
53	Spring tube (<i>manual release</i>)	8-053-201-00		2	2
53P	Roll pin (<i>spring tube</i>)	9-32-4012-00		2	2
54	Sleeve (component of Items 8 and 8A)			2	2
59	Release spring	9-71-0004-00		2	2
60	Terminal block	9-60-0925-00		1	1
60S	Machine screw (<i>terminal block</i>)	9-10-2712-00		2	2
61	Terminal jumper	9-60-0803-00		2	2
71	Wrap spring (<i>right hand</i>) (component of Item 8)			1	1
71A	Wrap spring (<i>left hand</i>) (component of Item 8A)			1	1
76	Wrap spring stop	8-076-203-00		2	2
76H	Holding plate (<i>previous design was flat plate</i>)	8-076-204-00		2	2
76S	Cap screw (<i>spring stop</i>)	9-17-2812-00		4	4
76W	Lock washer (<i>spring stop</i>)	9-45-1328-00		4	4
126	Support plate and bearing assembly	5-26-6607-00		1	1
130	Pivot pin (<i>lever arm</i>)	8-118-204-00		2	2
131	Pivot pin (<i>solenoid levers</i>)	8-131-601-00		1	1
131R	Retaining ring (<i>pivot pins</i>)	9-03-0020-00		8	8
132	Cap screw hex head 5/16 - 18 x 1/2"	8-350-009-00		8	8
132H	Holding plate (<i>solenoid mounting</i>)	8-076-665-00		4	4
132L	Lock plate (<i>solenoid mounting</i>)	8-076-662-00		4	4
134	Spacer (<i>pressure spring</i>)	8-134-001-05		2	2
138	Bearing (<i>washer type</i>)	8-138-201-00		14	14
138A	Bearing (<i>washer type</i>)	8-138-701-00		4	4
141	Spacer (<i>wrap spring</i>) (component of Items 8 and 8A)			4	4
141A	Spacer (<i>wrap spring</i>) (component of Items 8 and 8A)			2	2
146	Release rod (<i>right hand</i>)	8-146-203-00		1	1
146A	Release rod (<i>left hand</i>)	8-146-663-00		1	1
146B	Ball bearing (<i>release rod</i>)	9-01-6801-00		2	2
146R	Retaining ring (<i>release rod</i>) Truarc 5100-25-ZD	9-03-0007-00		2	2
152	Pressure spring stud	8-152-201-00		2	2
152P	Pivot pin	8-118-202-00		2	2
152R	Retaining ring Truarc #5100-37	9-03-0019-00		4	4
157	DC switch kit	see Table 3			2
158	Arc suppression module kit	see Table 3			2
178	Instruction plate	8-078-054-00		1	1
178S	Drivescrew	9-25-1303-00		2	2
179	Solenoid mounting plate	8-179-602-01		2	2
179G	Grommet (<i>mounting plate</i>)	8-147-202-00		6	6
179S	Shoulder screw (<i>mounting plate</i>)	9-26-1108-00		6	6
179W	Washer (<i>mounting plate</i>)	8-138-202-00		6	6
Not Shown	Space Heater Kit (115v) (230v)	5-27-2008-00 5-27-2009-00		1 1	1 1

Note: Some brakes manufactured prior to the "-02" series had solenoids which were mounted on (4) rubber shock mounts. Conversion kit 5-12-9596-00 is available to replace these mounts.

Support Plate Assembly



Solenoid and Coil Assembly

TABLE 3 – Components of Solenoid and Coil Assemblies

Item	Description	Part Number
AC Brakes		
12*	Solenoid assembly (AC)	5-12-5521-00
12A	No. K9 coil assembly 115 Vac 230 Vac 460 Vac 575 Vac 60 Hz	5-96-6951- ** 5-96-6952- ** 5-96-6954- ** 5-96-6955- **
159*	Brake release interlock switch kit	5-57-5504-00
DC Brakes		
12	Solenoid assembly (DC) (right hand) Solenoid assembly (DC) (left hand)	5-12-5531-00 5-12-5532-00
12A	No. 9 coil assembly 115 Vdc 230 Vdc	5-96-6916- 5-96-6917-
157	DC switch kit	5-57-5501-00
158	Arc suppression module kit	5-57-5711-00

*AC brakes with the brake release interlock (N.O.) switch (Item 159) use the DC solenoid assembly for switch mounting.

** -05 (green coil) indicates class H coil
-33 (black coil) indicates class B coil

TABLE 4

Contents of Assemblies and Kits

Item No.	Description
12	Solenoid assembly (5-12-55XX-00) 1 - Plunger 1 - Frame 2 - Lock plates 1 - Solenoid link cap screw 1 - Solenoid link nut 1 - Cable clamp and screw (DC only)
12A	Coil assembly (5-96-69XX-**) 1 - Coil 2 - Plunger guides 2 - Plunger guide screws
157	DC switch kit (5-57-5501-00) 1 - DC switch 2 - Mounting screws 2 - Lock washers
158	Arc suppression module kit (5-57-5711-00) 1 - Arc suppression module 1 - Cable strap 1 - Mounting screw 1 - Lead wire terminals
159	AC switch kit (5-57-5504-00) (brake release interlock switch - N.O.) 1 - AC switch 1 - Mounting screws 2 - Lock washers

