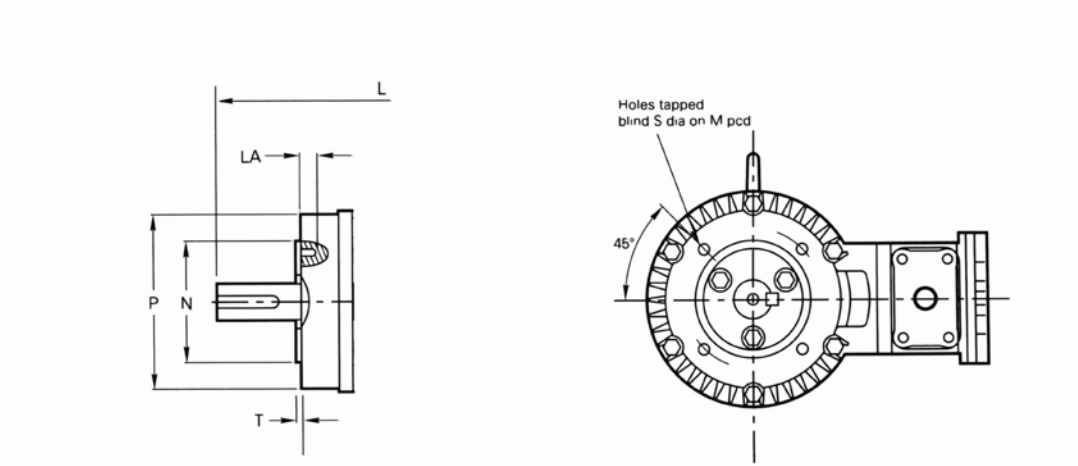
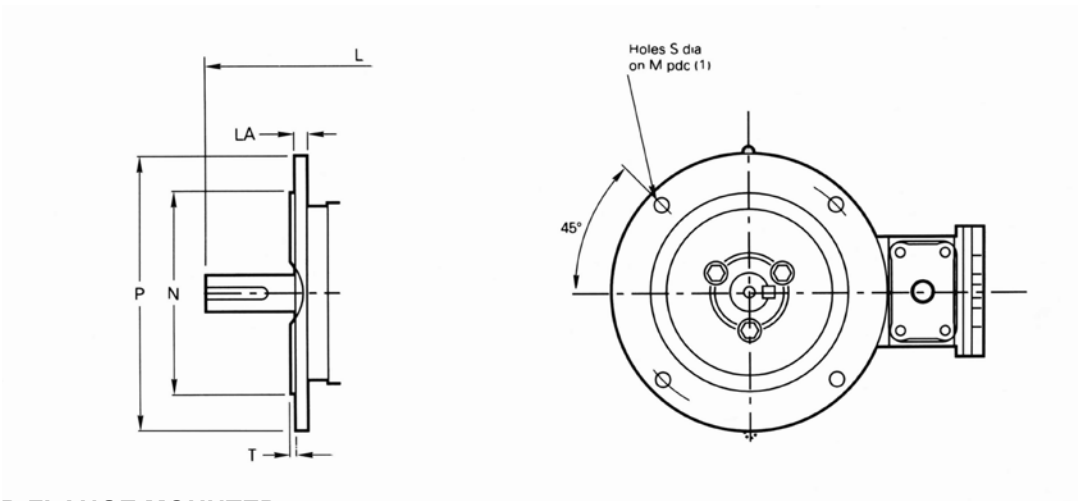


FOOT MOUNTED



C FACE MOUNTED



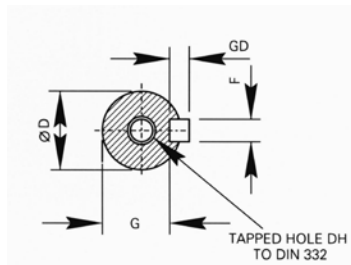
D FLANGE MOUNTED

EExd IEC Explosion Proof Dimensions Frame Sizes 90 - 315



FRAME	GENERAL															
	A	B	C	H	K	4 POLE+	2 POLE	AC	AB	BB	AD	HA	HD	TBW	TBH	KK
W-EF90S	140	100	56	90	10	308		187	175	127	230	12	236	140	140	1XM20
W-EF90L	140	125	56	90	10	333		187	175	152	230	12	236	140	140	1XM20
W-EF100L	160	140	63	100	12	394		208	194	187	241	14	252	140	140	1XM20
W-EF112M	190	140	70	12	12	391		250	229	179	260	16	286	140	140	1XM25
W-EF132S	216	140	89	132	12	467		270	260	178	289	19	319	171.5	171.5	1XM25
W-EF132M	216	178	89	132	12	505		270	260	216	289	19	319	171.5	171.5	1XM25
W-EF160M	254	210	108	160	15	605		333	318	267	316	19	375	171.5	171.5	1XM25
W-EF160L	254	254	108	160	15	650		333	318	311	316	19	375	171.5	171.5	1XM32
W-EF180M	279	241	121	180	15	672		378	356	298	343	19	440	197	197	1XM32
W-EF180L	279	279	121	180	15	710		378	356	337	343	19	440	197	197	1XM32
W-EF200L	318	305	133	200	19	810		410	386	355		27	636	260	190	1XM40*
W-EF225S	356	286	149	225	M16	873	843	410	426	349		25	661	260	190	1XM40*
W-EF225M	356	311	149	225	M16	915	885	448	426	374		25	680	260	190	1XM40*
W-EF250S	406	311	168	250	M20	985	985	448	482	384		28	705	260	190	1XM40*
W-EF250M	406	349	168	250	M20	1030	1030	508	482	419		28	770	335	220	1XM50*
W-EF280S	406	368	190	280	M20	1100	1070	508	540	436		35	800	335	220	1XM50*
W-EF280M	457	419	190	280	M20	1145	1115	563	540	487		35	830	335	220	1XM50*
W-EF315S	508	406	216	315	M24	1215	1185	563	597	483		38	865	335	220	1XM63*
W-EF315M	508	457	216	315	M24	1245	1215	640	597	533		38	960	384	255	1XM63*
W-EF315L	508	508	216	315	M24	1315	1285	640	597	583		38	960	384	255	1XM63*

FRAME	SHAFT DRIVE END							
	D	E	F	G	GD	EB	ED	DH
W-EF90S	24	50	8	20	7	32	5	M8X19
W-EF90L	24	50	8	20	7	32	5	M8X19
W-EF100L	28	60	8	23.9	7	40	5	M10X22
W-EF112M	28	60	8	23.9	7	40	5	M10X22
W-EF132S	38	80	10	33	8	56	5	M12X28
W-EF132M	38	80	10	33	8	56	5	M12X28
W-EF160M	42	110	12	37	8	80	5	M16X36
W-EF160L	42	110	12	37	8	80	5	M16X36
W-EF180M	48	110	14	42.5	9	80	5	M16X36
W-EF180L	48	110	14	42.5	9	80	5	M16X36



4 POLE +									2 POLE								
FRAME	D	E	F	G	GD	EB	ED	DH	FRAME	D	E	F	G	GD	EB	ED	DH
W-EF200L	55	110	16	49	10	100	5	M20X42	W-EF200L	55	110	16	49	10	100	5	M20X42
W-EF225S	60	140	18	53	11	125	5	M20X42	W-EF225S	-	-	-	-	-	-	-	-
W-EF225M	60	140	18	53	11	125	5	M20X42	W-EF225M	55	110	16	49	10	100	5	M20X42
W-EF250S	70	140	20	62.5	12	125	5	M20X42	W-EF250S	60	140	18	53	11	125	5	M20X42
W-EF250M	70	140	20	62.5	12	125	5	M20X42	W-EF250M	65	140	18	53	11	125	5	M20X42
W-EF280S	80	170	22	71	14	160	5	M20X42	W-EF280S	65	140	18	58	11	125	5	M20X42
W-EF280M	80	170	22	71	14	160	5	M20X42	W-EF280M	65	140	18	58	11	125	5	M20X42
W-EF315S	85	170	22	76	14	160	5	M20X42	W-EF315S	65	140	18	58	11	125	5	M20X42
W-EF315M	85	170	22	71	14	160	5	M20X42	W-EF315M	65	140	18	58	11	125	5	M20X42
W-EF315L	85	170	22	71	14	160	5	M20X42	W-EF315L	65	140	18	58	11	125	5	M20X42

FRAME	D FLANGE							FRAME	C FACE					
	M	N	P	S	T	LA	M		N	P	S	T	LA	
W-EF90S/L	165	130	200	12	35	12	W-EF90S/L	15	95	140	M8	3	10	
W-EF100L	215	180	250	15	4	11	W-EF100L	130	110	160	M8	3.5	14	
W-EF112M	215	180	250	15	4	11	W-EF112M	130	110	160	M8	3.5	15.5	
W-EF132S/M	265	230	300	15	4	12	W-EF132S/M	165	130	200	M10	3.5	17.5	
W-EF160M/L	300	250	350	19	5	13	W-EF160M/L	215	180	250	M12	4	19	
W-EF180M/L	300	250	350	19	5	15								
W-EF200L	350	300	400	19+	5	19								
W-EF225S/M	400	350	450	19+	5	19								
W-EF250S/M	500	450	550	19+	5	25								
W-EF280S/M	500	450	550	19+	5	25								
W-EF315S/M/L	600	550	660	24+	6	29								

NOTES: All dimensions in millimetres
 C Face not available above 160L frame
 + Frame sizes 225S - 315L
 Supplied with 8 holes - S dia.
 Frame sizes 200L - 315L
 Supplied with an additional 1XM20 outlet.