

**BALDOR® • RELIANCE** 

**Product Information Packet**

**EL1319**

**1.5HP,1755RPM,1PH,60HZ,56H,3535LC,OPEN**

Part Detail							
Revision:	AL	Status:	INA/A	Change #:		Proprietary:	No
Type:	AC	Elec. Spec:	35WGS681	CD Diagram:	CD0055	Mfg Plant:	
Mech. Spec:	35L758	Layout:	35LYL758	Poles:	04	Created Date:	
Base:	RG	Eff. Date:	01-21-2015	Leads:	6#18		

Specs			
Catalog Number:	EL1319	Insulation Class:	F
Frame:	56H	Inverter Code:	Not Inverter
Frame Material:	Steel	KVA Code:	K
Output @ Frequency:	1.500 HP @ 60 HZ	Lifting Lugs:	No Lifting Lugs
Synchronous Speed @ Frequency:	1800 RPM @ 60 HZ	Locked Bearing Indicator:	No Locked Bearing
Voltage @ Frequency:	230.0 V @ 60 HZ	Motor Lead Quantity/Wire Size:	6 @ 18 AWG
	208.0 V @ 60 HZ	Motor Lead Exit:	Ko Box
	115.0 V @ 60 HZ	Motor Lead Termination:	Flying Leads
XP Division:	Not Applicable	Motor Type:	3535LC
Agency Approvals:	CSA	Mounting Arrangement:	F1
	CSA EEV	Power Factor:	94
	UR	Product Family:	General Purpose
Auxillary Box:	No Auxillary Box	Pulley End Bearing Type:	Ball
Auxillary Box Lead Termination:	None	Pulley Face Code:	Standard
Base Indicator:	Rigid	Pulley Shaft Indicator:	Standard
Bearing Grease Type:	Polyrex EM (-20F +300F)	Rodent Screen:	None
Blower:	None	Shaft Extension Location:	Pulley End
Current @ Voltage:	6.700 A @ 208.0 V	Shaft Ground Indicator:	No Shaft Grounding

	6.250 A @ 230.0 V	<b>Shaft Rotation:</b>	Reversible
	12.500 A @ 115.0 V	<b>Shaft Slinger Indicator:</b>	No Slinger
<b>Design Code:</b>	L	<b>Speed Code:</b>	Single Speed
<b>Drip Cover:</b>	No Drip Cover	<b>Motor Standards:</b>	NEMA
<b>Duty Rating:</b>	CONT	<b>Starting Method:</b>	Direct on line
<b>Electrically Isolated Bearing:</b>	Not Electrically Isolated	<b>Thermal Device - Bearing:</b>	None
<b>Feedback Device:</b>	NO FEEDBACK	<b>Thermal Device - Winding:</b>	None
<b>Front Face Code:</b>	Standard	<b>Vibration Sensor Indicator:</b>	No Vibration Sensor
<b>Front Shaft Indicator:</b>	None	<b>Winding Thermal 1:</b>	None
<b>Heater Indicator:</b>	No Heater	<b>Winding Thermal 2:</b>	None

<b>Nameplate NP2116L</b>	
<b>CAT.NO.</b>	EL1319
<b>SPEC.</b>	35L758S681G1
<b>HP</b>	1.5
<b>VOLTS</b>	115/208-230
<b>AMP</b>	12.5/6.7-6.25
<b>RPM</b>	1755
<b>FRAME</b>	56H
<b>HZ</b>	60
<b>PH</b>	1
<b>SER.F.</b>	1.15
<b>CODE</b>	K
<b>DES</b>	L
<b>CL</b>	F
<b>NEMA-NOM-EFF</b>	85.5
<b>PF</b>	94
<b>RATING</b>	40C AMB-CONT
<b>CC</b>	USABLE AT 208V
<b>DE</b>	6205
<b>ODE</b>	6203
<b>ENCL</b>	OPEN
<b>SN</b>	
	SFA 14.3/7.8-7.15

Parts List		
Part Number	Description	Quantity
SA027309	SA 35L758S681G1	1.000 EA
RA023357	RA 35L758S681G1	1.000 EA
OC3040F09	CYL OIL CAP 40MFD/370V	1.000 EA
EC1645A06SP	ELEC CAP, 645-774 MFD, 125V, 2.06D X 4.	1.000 EA
NS2512A01	INSULATOR, CONDUIT BOX X	1.000 EA
35CB3007	35 CB CASTING W/.88 DIA. LEAD HOLE	1.000 EA
51XB1016A07	10-16 X 7/16 HXWSSLD SERTYB	2.000 EA
11XW1032G06	10-32 X .38, TAPTITE II, HEX WSHR SLTD U	1.000 EA
35EP3209G00	STD FR EP OPEN-203BRG-35L OR M FRAME--LE	1.000 EA
51XW0832A07	8-32 X .44, TAPTITE II, HEX WSHR SLTD SE	2.000 EA
NS2501A02	INSULATOR, CAPACITOR BOX	1.000 EA
35CB3801	CAPACITOR COVER, CAST	1.000 EA
HA7010	CAPACITOR RETENTION CLAMP	1.000 EA
51XB1016A08	10-16X 1/2HXWSSLD SERTYB	2.000 EA
HW5100A03	WAVY WASHER (W1543-017)	1.000 EA
35EP3210B00	PUEP OPEN 205 BRG	1.000 EA
XY1032A02	10-32 HEX NUT DIRECTIONAL SERRATION	4.000 EA
35CB4521	35 LIPPED CB LID (GALV & PHOSPH)	1.000 EA
51XW0832A07	8-32 X .44, TAPTITE II, HEX WSHR SLTD SE	4.000 EA
HW2501D13	KEY, 3/16 SQ X 1.375	1.000 EA
HA7000A04	KEY RETAINER 0.625 DIA SHAFTS	1.000 EA
85XU0407S04	4X1/4 U DRIVE PIN STAINLESS	2.000 EA
MJ1000A02	GREASE, POLYREX EM EXXON (USe 4824-15A)	0.050 LB
HA3100A27	THRUBOLT 10-32 X 11.875	4.000 EA

<b>Parts List (continued)</b>		
<b>Part Number</b>	<b>Description</b>	<b>Quantity</b>
MG1000Y03	MUNSELL 2.53Y 6.70/ 4.60, GLOSS 20,	0.017 GA
WD1000A15	3-520132-2 AMP FLAG (4M/RL NON-CANC/NON-	4.000 EA
35AD2005A01	BAFFLE PLATE,MOD 35-SLTD BAND MTRS GL.F.	1.000 EA
SP5181A01	MODEL 35 LC TORQ STAT SWITCH LEAD ASSY	1.000 EA
LB1119N	WARNING LABEL	1.000 EA
LB1125C02	SUPER-E (STOCK CTN LABEL SUPER-E WITH FL	1.000 EA
LC0001A01	CONN LABEL / WARNING LABEL (LC0001 / LB1	1.000 EA
NP2116L	ALUM SUPER-E UL CSA CC	1.000 EA
35PA1066	PKG GRP, PRINT PK1008A06	1.000 EA
MN416A01	TAG-INSTAL-MAINT no wire (1100/bx) 11/14	1.000 EA

<b>Accessories</b>		
<b>Part Number</b>	<b>Description</b>	<b>Multiplier</b>
35-8764	C FACE KIT	A8
35EP1604A01SP	D-FLANGE KIT	A8

**AC Induction Motor Performance Data**

Record # 35688 - Typical performance - not guaranteed values

<b>Winding:</b> 35WGS681-R006	<b>Type:</b> 3535LC	<b>Enclosure:</b> OPEN
-------------------------------	---------------------	------------------------

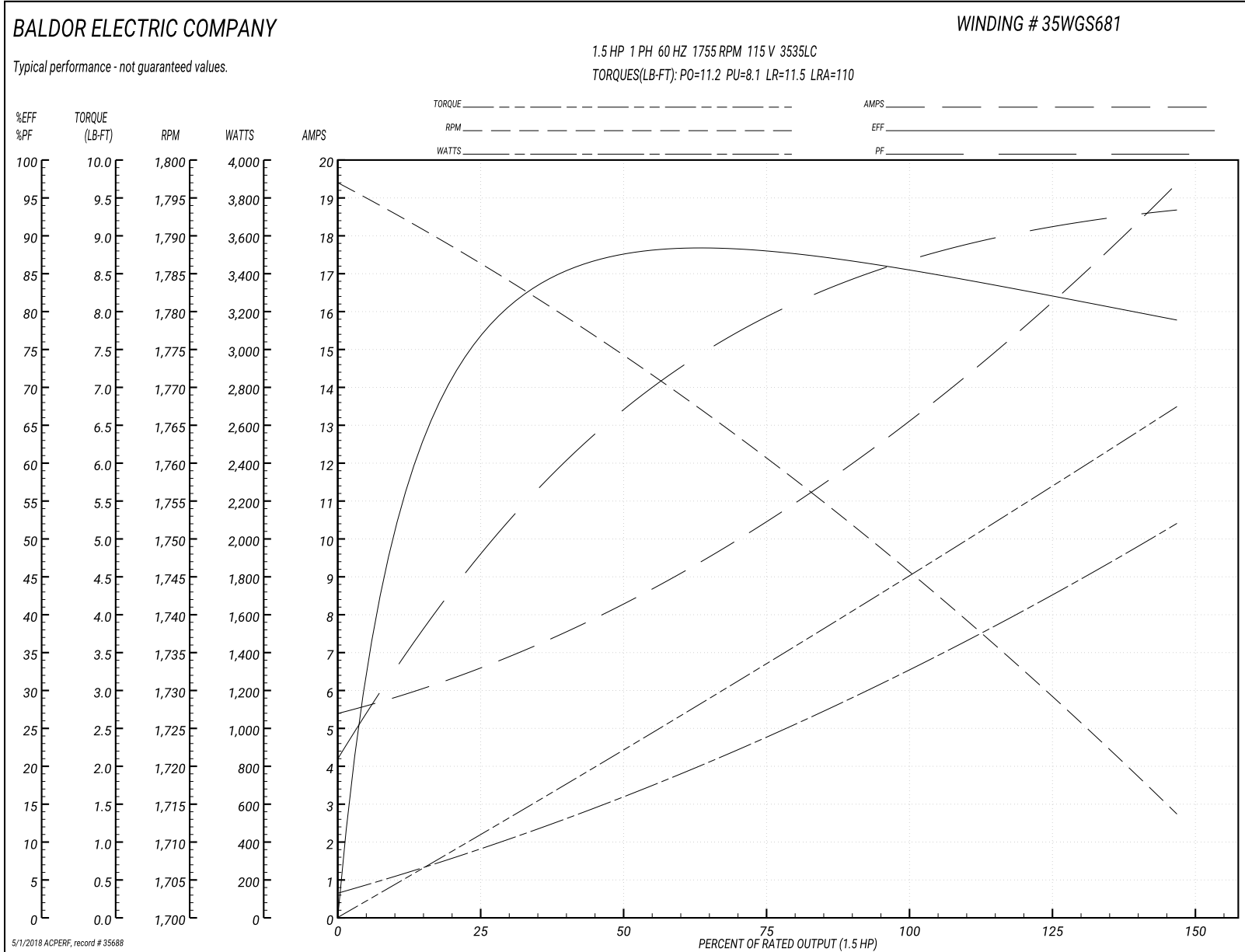
Nameplate Data				115 V, 60 Hz: Low Voltage Connection	
Rated Output (HP)	1.5			Full Load Torque	4.5 LB-FT
Volts	115/208-230			Start Configuration	direct on line
Full Load Amps	12.5/6.7-6.25			Breakdown Torque	11.2 LB-FT
R.P.M.	1755			Pull-up Torque	8.1 LB-FT
Hz	60	Phase	1	Locked-rotor Torque	11.5 LB-FT
NEMA Design Code	L	KVA Code	K	Starting Current	110 A
Service Factor (S.F.)	1.15			No-load Current	5.5 A
NEMA Nom. Eff.	85.5	Power Factor	94	Line-line Res. @ 25°C	0.399 Ω A Ph 1.77 Ω B Ph
Rating - Duty	40C AMB-CONT			Temp. Rise @ Rated Load	32°C
S.F. Amps	14.3/7.8-7.15			Temp. Rise @ S.F. Load	39°C

Load Characteristics 115 V, 60 Hz, 1.5 HP

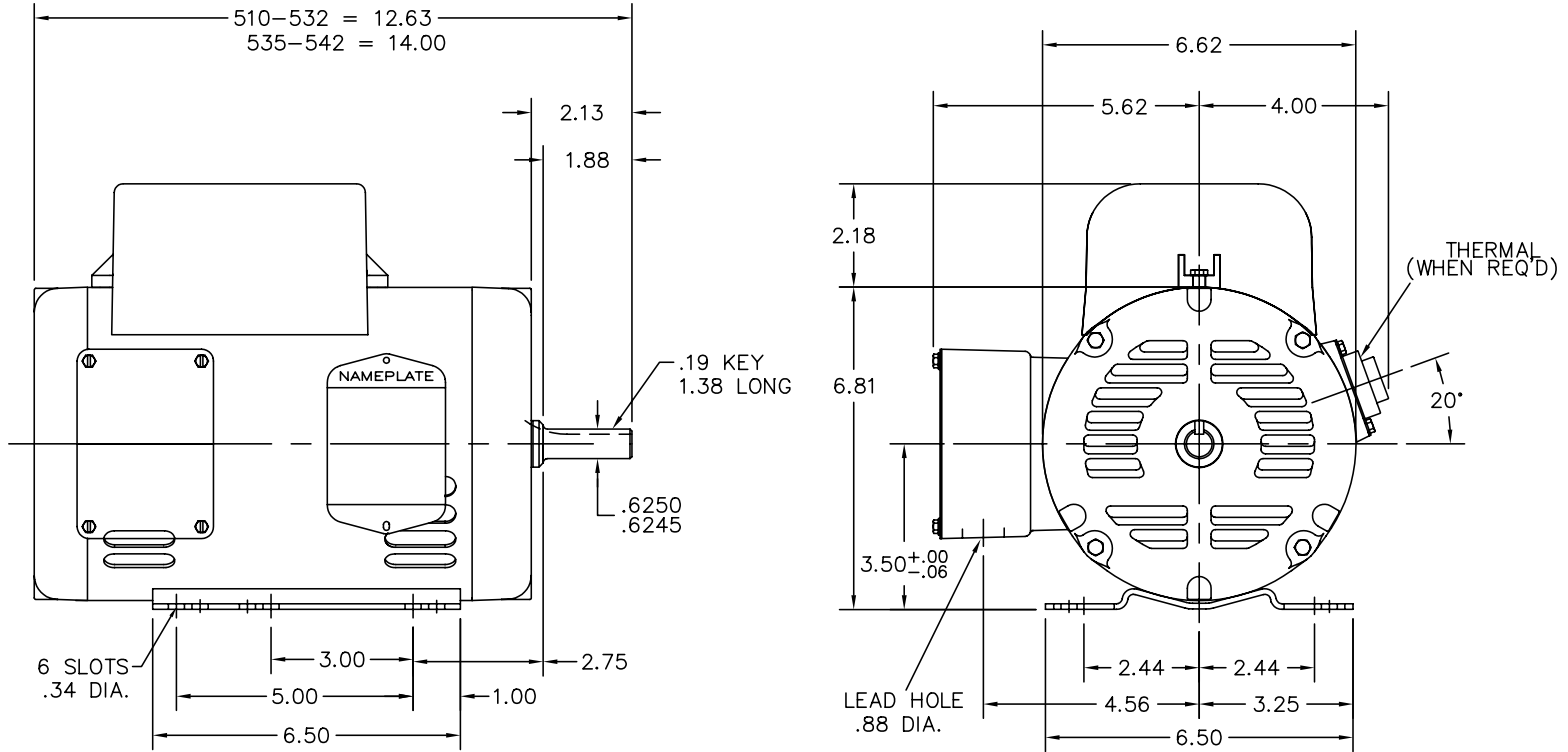
% of Rated Load	25	50	75	100	125	150	S.F.
Power Factor	50	67	79	89	89	94	89
Efficiency	79.8	84.9	86.6	86.2	84.1	78	84.9
Speed	1784	1771	1762	1749	1729	1713	1737
Line amperes	6.2	8.7	10.8	12.7	16	19.5	14.7



Performance Graph at 115V, 60Hz, 1.5HP Typical performance - Not guaranteed values



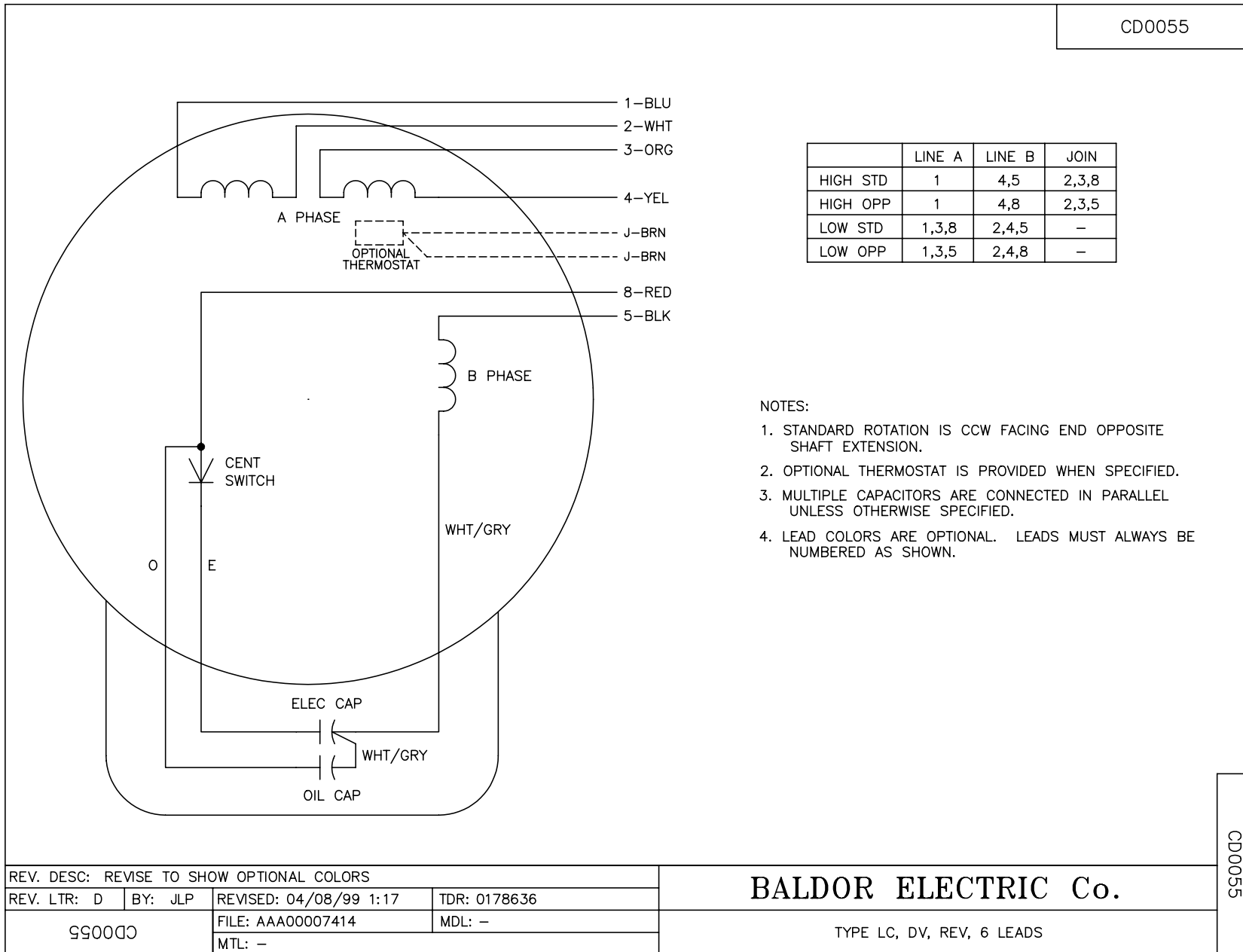
35LYL758



CUST. NAME		CUST. P.O.		CERTIFIED BY		MODEL		INSUL		AMB	
H.P.		MTG		TYPE		R.P.M.		VOLTS		ENCL	
PHASE		FREQ		FRAME							
REV. DESC: CHG'D CONDUIT BOX AND LID (SEE EC09)											
REV. LTR: C		BY: JED		REVISED: 04/23/99 8:00				TDR: 0171814			
89271792				FILE: AAA00014232				MDL: -			
MTL: -				<b>BALDOR ELECTRIC Co.</b>							
STD 56H OPEN HORZ 35LC SLOTTED BAND											

35LYL758

CD0055



REV. DESC: REVISE TO SHOW OPTIONAL COLORS			
REV. LTR: D	BY: JLP	REVISED: 04/08/99 1:17	TDR: 0178636
99000		FILE: AAA00007414	MDL: -
		MTL: -	

**BALDOR ELECTRIC Co.**

TYPE LC, DV, REV, 6 LEADS

CD0055