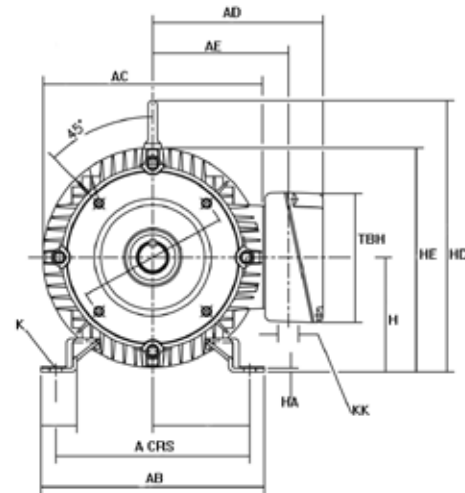
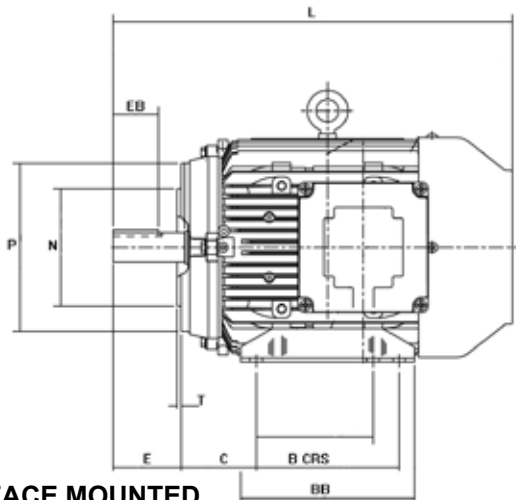
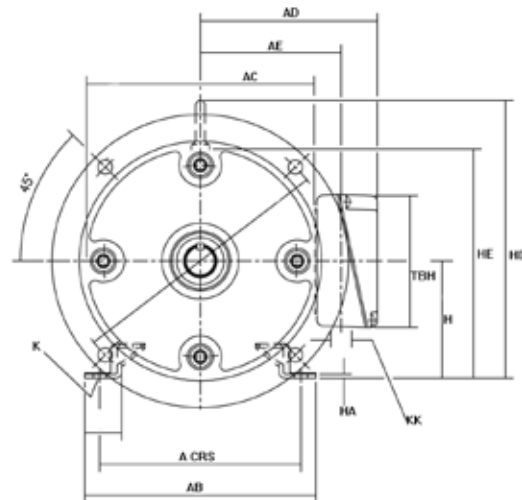
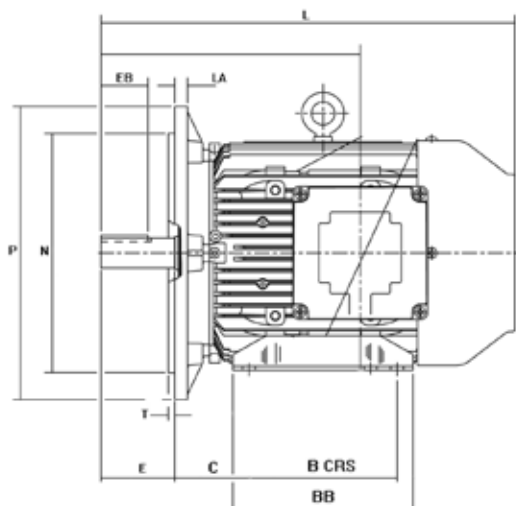


FOOT MOUNTED



C FACE MOUNTED



D FLANGE MOUNTED

W-Range IEC Aluminum Dimensions

Frame Sizes 63 - 180

General															
Type	A	B	C	H	K	L	AB	AC	BB	HA	HD	HE	Terminal Box		KK
													TBW	TBH	
W-DA63	100	80	40	63	7	207	119	126	100	2	163	139	86	86	1 X 20
W-DA71	112	90	45	71	7	238	131	140	110	2	186	162	86	86	1 X 20
W-DA80M	125	100	50	80	10	278	157	157	127	4	212	183	86	86	1 X 20
W-DA90S	140	100	56	90	10	364	164	178	150	4	225	201	86	86	1 X 20
W-DA90L	140	125	56	90	10	364	164	178	150	4	225	201	86	86	1 X 20
W-DA100L	160	140	63	100	12	409	164	178	150	4	267	233	127	127	2 X 20
W-DA112M	190	140	70	112	12	442	218	215	170	4	279	246	127	127	2 X 25
W-DA132S	216	140	89	132	12	484	242	255	208	5	332	289	127	127	2 X 25
W-DA132M	216	178	89	132	12	484	242	255	208	5	322	289	127	127	2 X 25
W-DA160M	254	210	108	160	15	604	304	312	304	5	400	359	140	140	2 X 32
W-DA160L	254	254	108	160	15	604	304	312	304	5	400	359	140	140	2 X 32
W-DA180M	279	241	121	180	15	663	329	254	329	6	440	396	140	140	2 X 32
W-DA180L	279	279	121	180	15	663	329	254	329	6	440	396	140	140	2 X 32

Flange and Face													
Type	IM B5 Mounting						IM B14 Mounting						
	M	N	P	S	T	LA	M	N	P	S	T	LA	
W-DA63	115	95	140	10	3	7	75	60	90	M5	2.5	7	
W-DA71	130	110	160	10	3.5	7	85	70	105	M6	2.5	9	
W-DA80M	165	130	200	12	3.5	12	100	80	120	M6	3	9	
W-DA90S/L	165	130	200	12	3.5	12	115	95	140	M8	3	9	
W-DA100L	215	180	250	15	4	12	130	110	160	M8	3.5	12.5	
W-DA112M	215	180	250	15	4	12	130	110	164	M8	3.5	13	
W-DA132S	265	230	300	15	4	12	165	130	200	M10	3.5	14	
W-DA132M	265	230	300	15	4	12	165	130	200	M10	3.5	14	
W-DA160M	300	250	350	19	5	13	215	180	250	M12	4	13	
W-DA160L	300	250	350	19	5	13	215	180	250	M12	4	13	
W-DA180M	300	250	350	19	5	15	-	-	-	-	-	-	
W-DA180L	300	250	350	19	5	15	-	-	-	-	-	-	

Shaft								
Type	D	E	F	G	GD	EB	ED	DH
W-DA63	11	23	4	8.5	4	10	0	M4 x 10
W-DA71	11	30	5	14	5	20	6.5	M5 x 12.5
W-DA80M	19	40	6	15.5	6	32	4	M6 x 16
W-DA90S/L	24	50	8	20	7	40	5	M8 x 19
W-DA100L	28	60	8	24	7	50	5	M10 x 22
W-DA112M	28	60	8	24	7	50	5	M10 x 22
W-DA132S	38	80	10	33	8	70	5	M12 x 28
W-DA132M	38	80	10	33	8	70	5	M12 x 28
W-DA160M	42	110	12	37	8	100	5	M16 x 36
W-DA160L	42	110	12	37	8	100	5	M16 x 36
W-DA180M	48	110	14	42.5	9	100	5	M16 x 36
W-DA180L	48	110	14	42.5	9	100	5	M16 x 36

