

BALDOR® • RELIANCE

Product Information Packet

ELECTRIC MOTOR WHOLESAL.COM

M1008T

5/1.3HP, 1725/850RPM, 3PH, 60HZ, 184T, 3634M

Part Detail							
Revision:	S	Status:	PRD/A	Change #:		Proprietary:	No
Type:	AC	Prod. Type:	3634M	Elec. Spec:	36WG605	CD Diagram:	
Enclosure:	OPEN	Mfg Plant:		Mech. Spec:	36B001	Layout:	
Frame:	184T	Mounting:	F1	Poles:	04/08	Created Date:	
Base:	RG	Rotation:	R	Insulation:	F	Eff. Date:	06-22-2009
Leads:	6#14	Literature:		Elec. Diagram:		Replaced By:	

Nameplate NP1256L

CAT.NO.	M1008T						
SPEC.	36B01W605						
HP	5-1.3						
VOLTS	230						
AMP	13.2/5						
RPM	1725/850						
FRAME	184T	HZ	60	PH	3		
SER.F.	1.15	CODE	J	DES	B	CLASS	F
NEMA-NOM-EFF		PF					
RATING	40C AMB-CONT						
CC		USABLE AT 208V	N/A				
DE	6206	ODE	6205				
ENCL	OPEN	SN					

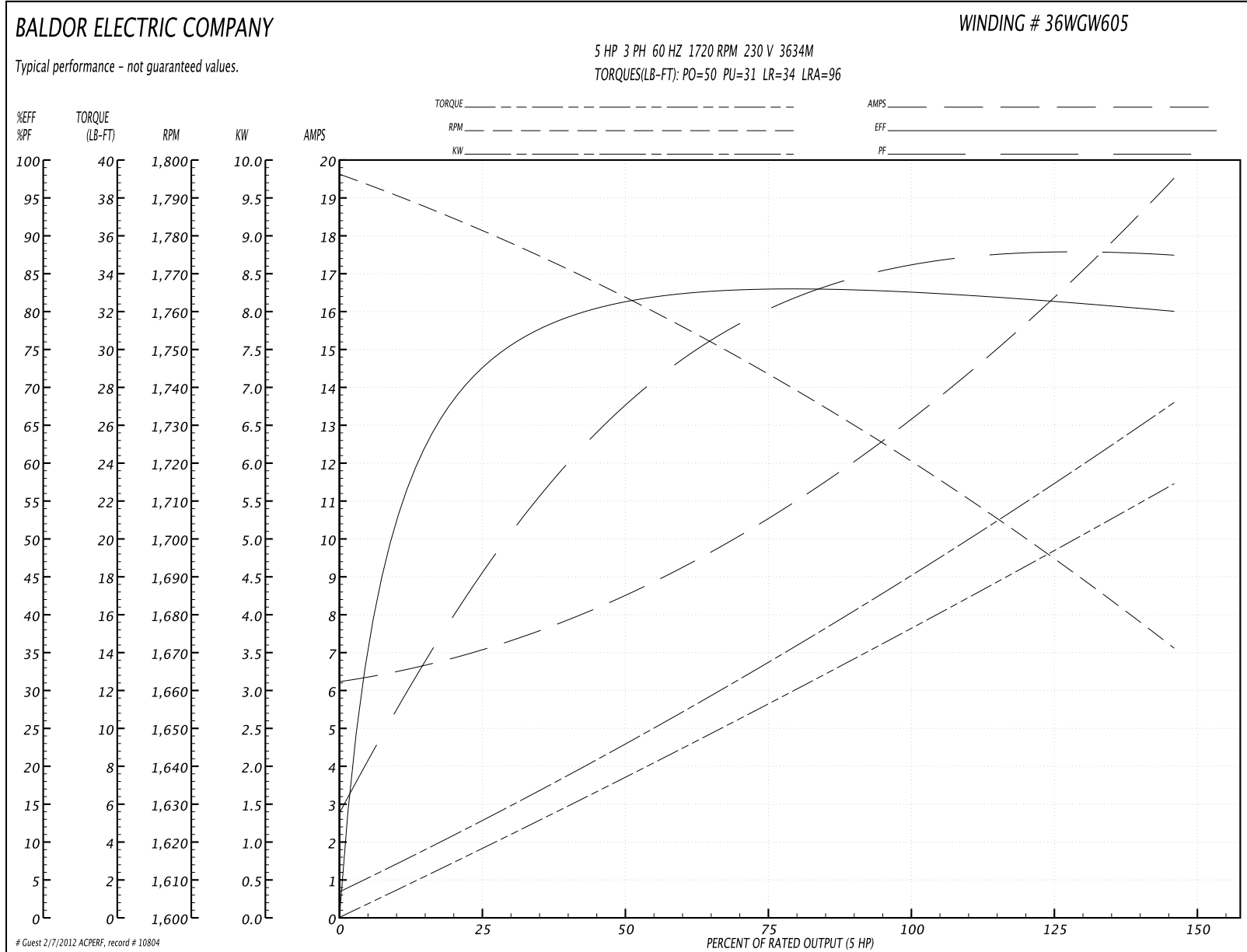
Parts List		
Part Number	Description	Quantity
SA034218	SA 36B01W605	1.000 EA
RA030246	RA 36B01W605	1.000 EA
36CB3004	36 CB CASTING W/1.09 DIA LEAD HOLE @ 6:0	1.000 EA
51XB1016A08	10-16X 1/2HXWSSLD SERTYB	2.000 EA
11XW1032G06	10-32 X .38, TAPTITE II, HEX WSHR SLTD U	1.000 EA
HW3001B01	003SS CUP WASHER, FOR #8 SCREW	1.000 EA
36EP3200A01SP	FR ENDPLATE, MACH	1.000 EA
HW4500A01	1641B(ALEMITE)400 UNIV, GREASE FITT	1.000 EA
HW5100A05	WVY WSHR F/205 & 304 BRGS	1.000 EA
36EP3201A01	PU ENDPLATE, MACH 182-4T	1.000 EA
HW4500A01	1641B(ALEMITE)400 UNIV, GREASE FITT	1.000 EA
XY2520A12	1/4-20 HEX NUT, DIRECTIONAL SERRATIONS	4.000 EA
36CB4516	36 LIPPED CB LID	1.000 EA
51XW0832A07	8-32 X .44, TAPTITE II, HEX WSHR SLTD SE	4.000 EA
HW2501E16	KEY, 1/4 SQ X 1.750	1.000 EA
HA7000A02	KEY RETAINER RING, 1 1/8 DIA, 1 3/8 DIA	1.000 EA
85XU0407S04	4X1/4 U DRIVE PIN STAINLESS	2.000 EA
MJ1000A75	GREASE, POLYREX EM EXXON	0.050 LB
MG1000G27	PAINT- S9282E CHARCOAL GREY	0.022 GA
HA3101A25	THRUBOLT 1/4-20 X 11.000 OHIO ROD	4.000 EA
LB1119	WARNING LABEL	1.000 EA
LB1125C01	STD (STOCK) CARTON LABEL BALDOR WITH FLA	1.000 EA
LC0032	CONNECTION LABEL	1.000 EA
NP1256L	ALUM, UL CSA CC, W/O THERMAL, LASER	1.000 EA

Parts List (continued)		
Part Number	Description	Quantity
36PA1000	PACK GROUP W/LB5001	1.000 EA

Accessories		
Part Number	Description	Multiplier
36-3403	C FACE KIT	A8
36EP1405A09SP	D-FLANGE KIT	A8

Performance Data at 230V, 60Hz, 5.0HP (Typical performance - Not guaranteed values)							
General Characteristics							
Full Load Torque:	15.3 LB-FT			Start Configuration:	DOL		
No-Load Current:	6.3 Amps			Break-Down Torque:	50.0 LB-FT		
Line-line Res. @ 25°C.:	0.988 Ohms A Ph / 0.0 Ohms B Ph			Pull-Up Torque:	31.0 LB-FT		
Temp. Rise @ Rated Load:	67 C			Locked-Rotor Torque:	34.0 LB-FT		
Temp. Rise @ S.F. Load:				Starting Current:	96.0 Amps		
Load Characteristics							
% of Rated Load	25	50	75	100	125	150	S.F.
Power Factor:	46.0	68.0	79.0	85.0	89.0	90.0	0.0
Efficiency:	72.2	80.9	83.0	82.9	81.7	79.8	0.0
Speed:	1780.0	1762.0	1743.0	1720.0	1698.0	1670.0	0.0
Line Amperes:	7.0	8.6	10.7	13.2	16.2	19.5	0.0

Performance Graph at 230V, 60Hz, 5.0HP Typical performance - Not guaranteed values



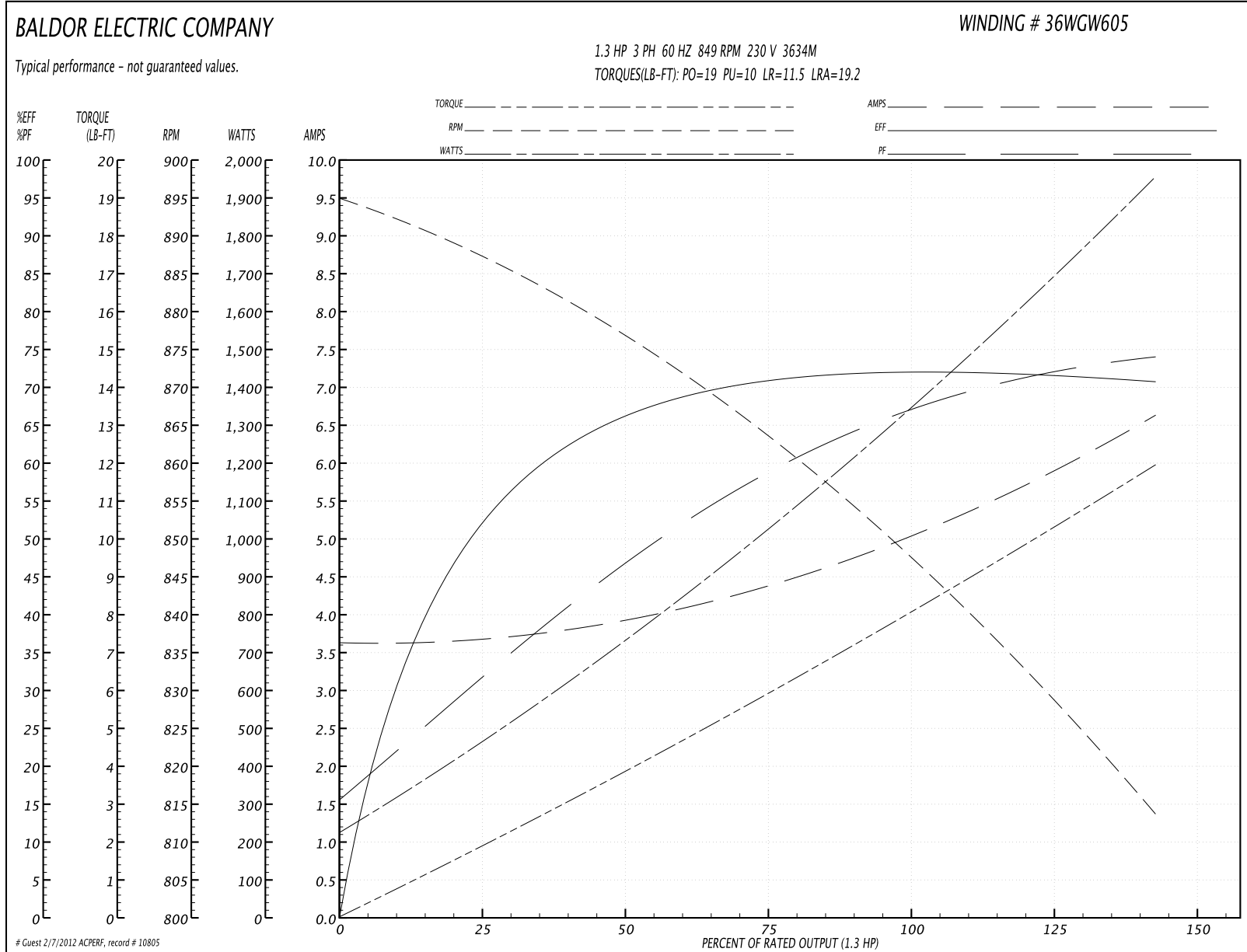
Performance Data at 230V, 60Hz, 1.3HP (Typical performance - Not guaranteed values)
General Characteristics

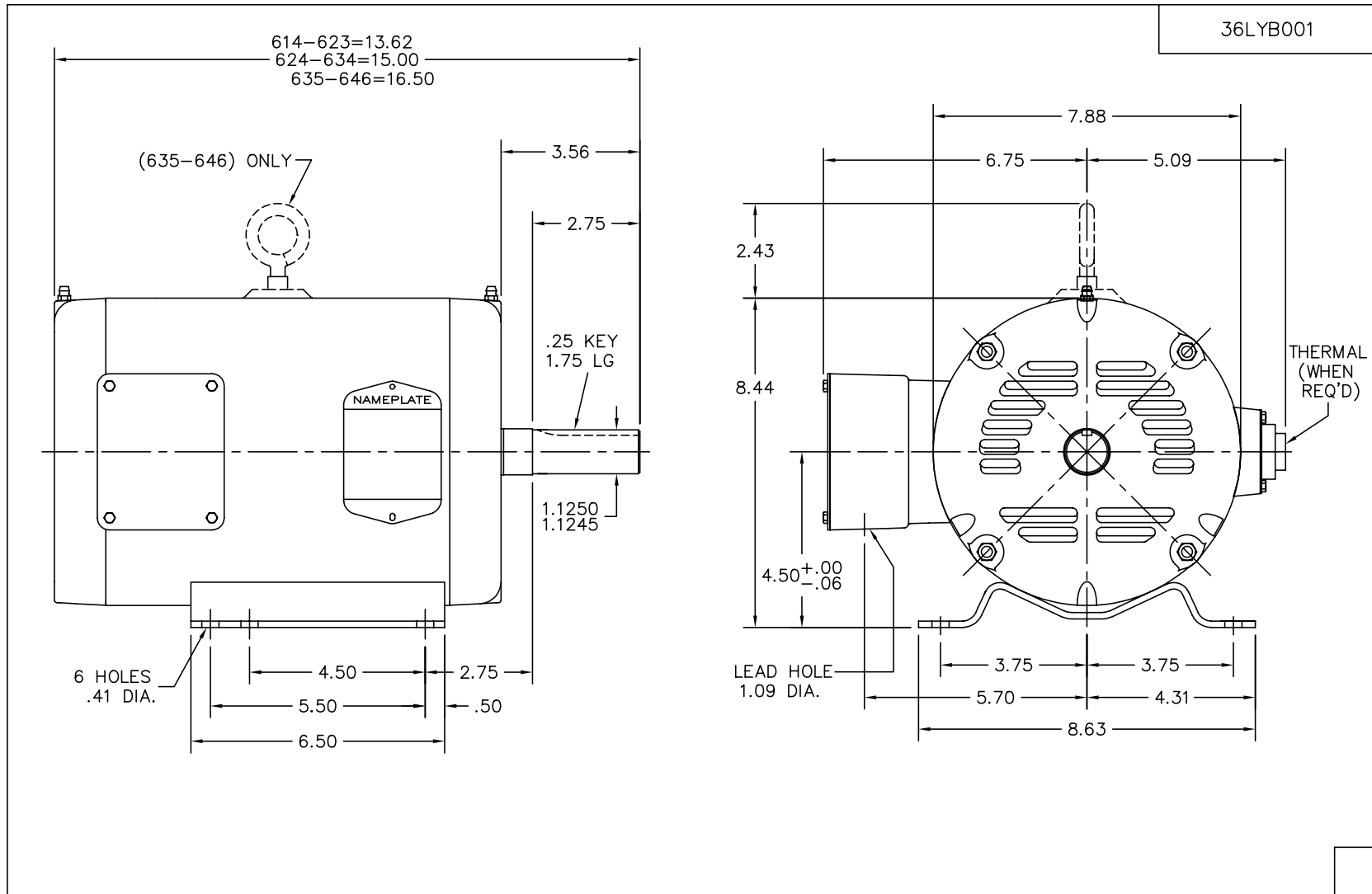
Full Load Torque:	8.0 LB-FT	Start Configuration:	DOL
No-Load Current:	3.6 Amps	Break-Down Torque:	19.0 LB-FT
Line-line Res. @ 25°C.:	4.05 Ohms A Ph / 0.0 Ohms B Ph	Pull-Up Torque:	10.0 LB-FT
Temp. Rise @ Rated Load:	54 C	Locked-Rotor Torque:	11.5 LB-FT
Temp. Rise @ S.F. Load:		Starting Current:	19.2 Amps

Load Characteristics

% of Rated Load	25	50	75	100	125	150	S.F.
Power Factor:	32.0	47.0	59.0	67.0	73.0	77.0	0.0
Efficiency:	51.8	65.8	71.0	72.6	72.2	70.3	0.0
Speed:	886.0	875.0	863.0	849.0	833.0	812.0	0.0
Line Amperes:	3.7	4.0	4.4	5.0	5.7	6.7	0.0

Performance Graph at 230V, 60Hz, 1.3HP Typical performance - Not guaranteed values

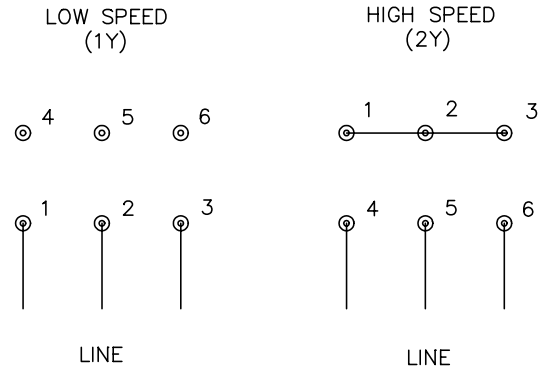
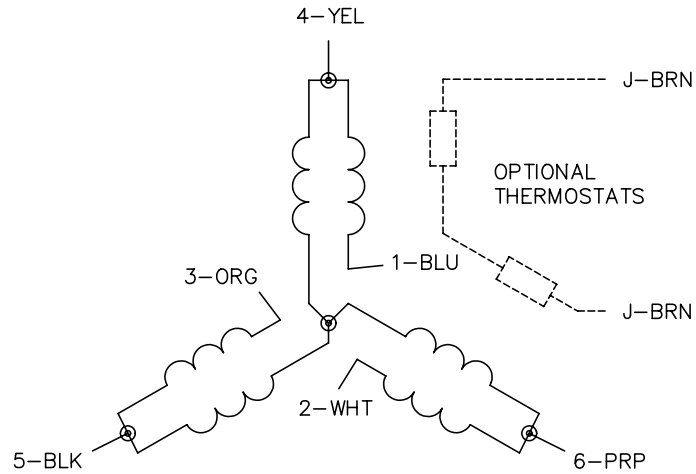




CUST. NAME		CUST. P.O.		CERTIFIED BY		MODEL		INSUL		AMB	
H.P.		MTG		TYPE		R.P.M.		VOLTS		ENCL	
PHASE		FREQ		FRAME							
REV. DESC: CHG'D TO HAVE NEW NEC CONDUIT BOX											
REV. LTR: M		BY: JD		REVISED: 05/19/99 3:45				TDR: 0181963			
36LYB001				FILE: AAA00002559				MDL: -			
MTL: -				BALDOR ELECTRIC Co.							
STANDARD HORZ NEMA 182-4T OPEN 36M											

36LYB001

CD0032



NOTES:

1. INTERCHANGE ANY TWO LINE LEADS TO REVERSE ROTATION.
2. OPTIONAL THERMOSTATS ARE PROVIDED WHEN SPECIFIED.
3. ACTUAL NUMBER OF INTERNAL PARALLEL CIRCUITS MAY BE A MULTIPLE OF THOSE SHOWN ABOVE.
4. LEAD COLORS ARE OPTIONAL. LEADS MUST ALWAYS BE NUMBERED AS SHOWN.

REV. DESC: REVISE TO SHOW OPTIONAL COLORS			
REV. LTR: E	BY: JLP	REVISED: 01/22/99 8:27	TDR: 0171435
CD0032		FILE: AAA00005145	MDL: -
		MTL: -	

BALDOR ELECTRIC Co.

3PH, SV, 6 LEADS, 2-SPEED 1-WINDING VARIABLE TORQUE

CD0032