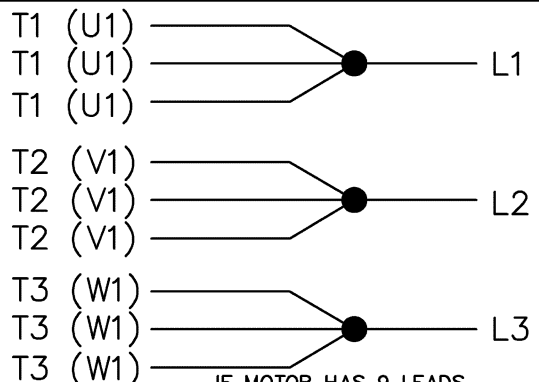
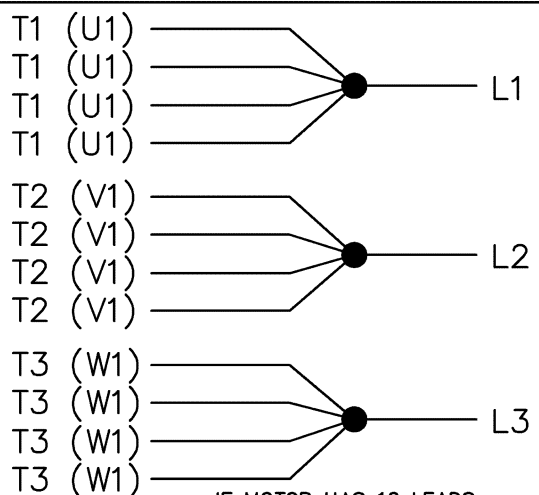


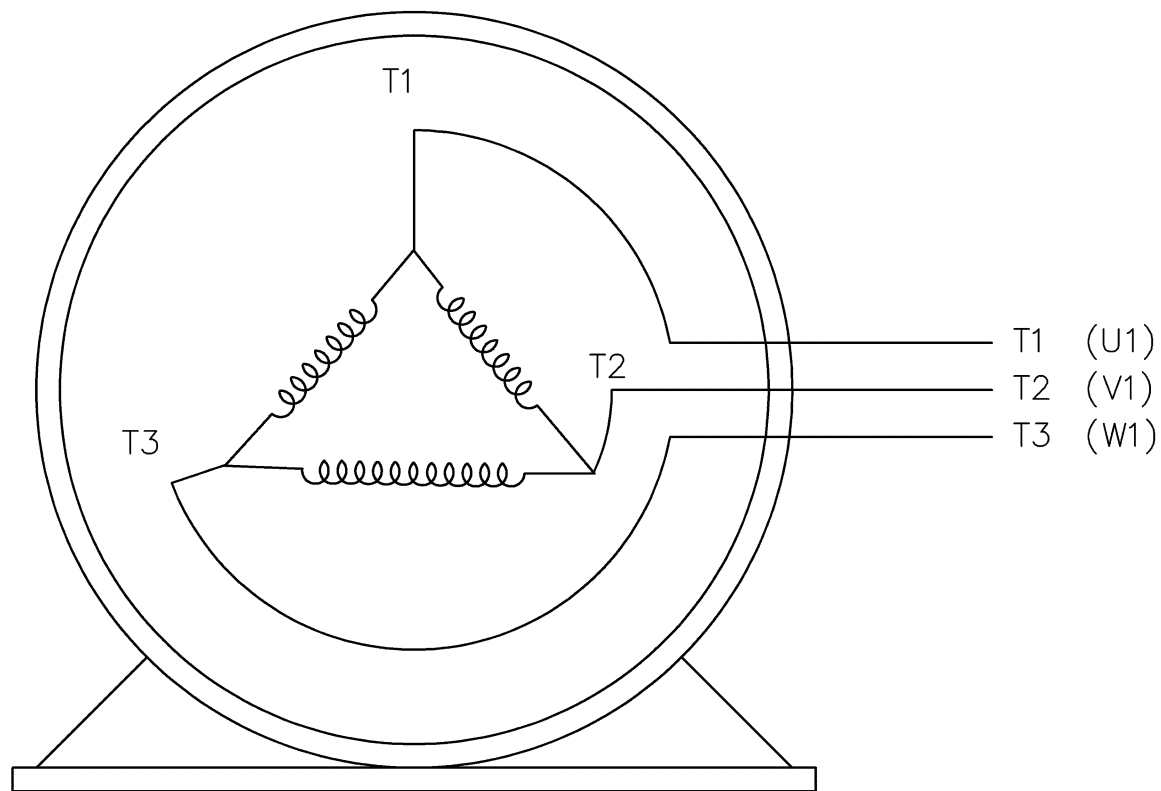
A-9806 DECAL IF CALLED FOR




IF MOTOR HAS 9 LEADS



IF MOTOR HAS 12 LEADS



VIEW OF TERMINAL END

		TOLERANCES UNLESS SPECIFIED				DRAWN KL 12-06-2000				
		DEC.	INCHES			CHK DJK 12-06-2000	APPD DJK 12-06-2000			
			.X	±.1	TITLE EXTERNAL CONNECTION DIAGRAM 3Ø SINGLE VOLTAGE DELTA	SCALE				
2	ADDED TABLES CN39272	RJW 06-03-2005	ML	.XXX		±.005	REF			
1	NEW DRAWING MU34873	KL 12-06-2000		.XXXX		±.0005	FMF			
NO.	REVISION	BY & DATE	CHK	ANG	±7'30"	FINISH	PREV			
THIS DRAWING IN DESIGN AND DETAIL IS OUR PROPERTY AND MUST NOT BE USED EXCEPT IN CONNECTION WITH OUR WORK ALL RIGHTS OF DESIGN AND INVENTION ARE RESERVED THIS IS AN ELECTRONICALLY GENERATED DOCUMENT - DO NOT SCALE THIS PRINT				RFP	CAD FILE EE7300U_LN		SIZE A	DRAWING NO. EE7300U-LN	PAGE OF 2	REV. 2