

BALDOR® • RELIANCE

Product Information Packet

ELECTRIC MOTOR WHOLESAL.COM

GC24311

.06/.07HP, 1400RPM, 1PH, 50/60HZ, K-1, 2416C

Part Detail							
Revision:	S	Status:	PRD/A	Change #:		Proprietary:	No
Type:	AC	Prod. Type:	2416C	Elec. Spec:	24WGW107	CD Diagram:	
Enclosure:	TEFC	Mfg Plant:		Mech. Spec:		Layout:	
Frame:	K	Mounting:		Poles:	04	Created Date:	
Base:		Rotation:	R	Insulation:	F	Eff. Date:	11-18-2009
Leads:	3#18	Literature:		Elec. Diagram:		Replaced By:	

Nameplate NP1220A05

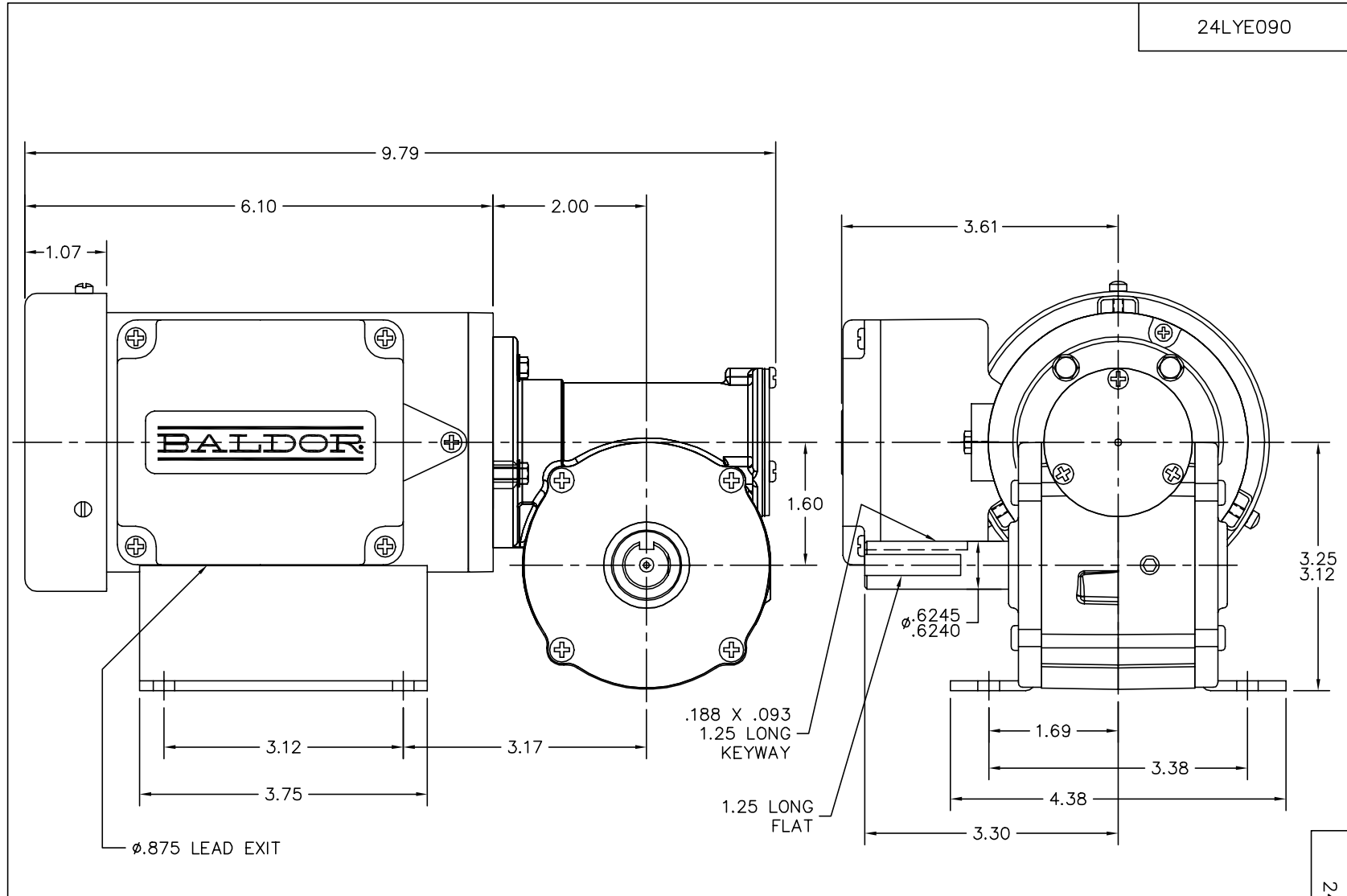
CAT.NO.	GC24311						
SER.NO	DATE CODE						
SPEC.	24E090W107G1						
HP	.06//.07 TE						
VOLTS	110//115						
AMP	.85						
HZ	50//60				PH	1	
AMB.	40C				DUTY	CONT	
CAP	12				CODE	-	
SER.F.	1.0				CLASS	F	
SF AMP	*						
R.P.M.	135//165						
TORQ/IN LB	18						
RATIO	10:1						
APRV-CE					APRV-CSA		APRV-UL

Parts List		
Part Number	Description	Quantity
SA061970	SA 24E090W107G1	1.000 EA
RA056237	RA 24E090W107G1	1.000 EA
SR000467	SR 24E090W107G1	1.000 EA
OC4012A01	DRY FILM METALLIZED CAP,12MFD 250V W/FOO	1.000 EA
LD0090A05	LD,03 12" 0 1 5	1.000 EA
LC0895	CONN.DIAGRAM 1PH,SINGLE VOLT,TYPE PSC	1.000 EA
MH1041B01	3-M SUPER 10 TAPE 1" WIDE	0.002 RL
HA3199A84	THRU-BOLT PAN HEAD 8-32 X 5.250	2.000 EA
XY0832A05A01	8/32 SELF-LOCKING	2.000 EA
24EP3108A01G	EP,24AC DE CL R8 RA	1.000 EA
HW5002A44	N5002-112 RET RING INTERNBEVELED F/6001	1.000 EA
HW4600D35	SEAL, TCM #050820SCW (.500" X .875" X	1.000 EA
RM1057	RUBBER SQUARE RING 1.424 I.D.	1.000 EA
24EP3100A01G	FR ENDPLATE, MACH - TEFC. DIE CAST	1.000 EA
HW5109A08	WASHER, WAVE SPRING FOR 30MM BORE SMALLE	1.000 EA
55XT0632G03	6-32 X 0.187 RD HD PHILLIPS, SERRATED	1.000 EA
24FH3000G	FAN COVER - PAINTED	1.000 EA
24FN4000A01	FAN, ALUM. STAMPED, 3 1/4 HF .315-R	1.000 EA
09XN0632A08	6-32 UNC X 0.50" LG. FILLISTER HEAD (PHI	3.000 EA
HG0048A01G	HSG,K EX	1.000 EA
19XN1032A12	SCREW, HEX WASHER HEAD, #10-32 X .750	2.000 EA
BCG5494-001G	CAP, "K" BOX GEARHOUSING, MACH'D	1.000 EA
15XM0832A10	SCREW, 8-32X .625, THREAD FORMING	4.000 EA
BG6203A01	6203 OPEN,C3,SLUSH	1.000 EA

Parts List (continued)		
Part Number	Description	Quantity
HW5002A51	RET RING N5002 - 156 (WALDES) BEVELED 40	1.000 EA
HW4600D29	SEAL, TCM #060871SC-G (.625" X .875"	1.000 EA
RM1056	RUBBER SQUARE RING 2.739 I.D.	1.000 EA
BCG5494-002G	CAP,K BOX GEARHOUSING, MACH'D W/ GRAY	1.000 EA
HW5100A03SP	WAVY WASHER (W1543-017)	1.000 EA
19XN1032A09	SCREW, HEX WASHER HEAD, #10-32 X .563 W/	2.000 EA
15XM0832A10	SCREW, 8-32X .625, THREAD FORMING	4.000 EA
RM1056	RUBBER SQUARE RING 2.739 I.D.	1.000 EA
HA1194B01	BLADDER,CJK EXPANSION	1.000 EA
15XM0632A06	SCREW, 6-32X .375, THREAD FORMING	3.000 EA
BMH1910	KEY 3/16X3/16X1 1/8 AUTO X	1.000 EA
24CB3000A	CONDUIT BOX - MODEL 24 KENCO	1.000 EA
12XN0632A07	06-32 X 7/16 HX	2.000 EA
24CB3500A	CONDUIT BOX LID - MODEL 24 W/ LOGO KENCO	1.000 EA
12XN0632A05	06-32 X 5/16 HX	1.000 EA
15XP0619A08	#6-19X1/2 PAN HD PHILLIPS PLASTITE 48-2	4.000 EA
MJ1000B02	KLUB. GH6-460 GEAR OIL 1 LB	0.024 GA
MJ5019A01	ADHESIVE LOCTITE #680 WAS BAD4525	0.010 EA
HA4021A05	1/16 NPSF-HX SOC PIPE PLUG TAPER DRY SEA	1.000 EA
WD4006A04	RC-6 T&B WIRE JOINT (BULK PACK)	2.000 EA
LD0090A17	LD,02 6" 0 5	1.000 EA
WM0054A01	WORM,K 10.0 INP	1.000 EA
CPA1000	PACKING GROUP STD. SINGLE	1.000 EA
NP1220A05	NP,AC STD AD NONE V CE CSA UL GEAR MOTOR	1.000 EA

Parts List (continued)		
Part Number	Description	Quantity
LB5040	INSTRUCTION TAG, AC & DC	1.000 EA
LB1451	WARNING LABEL, CE WARNING SYMBOLS ONLY	1.000 EA
LB1125C01	STD (STOCK) CARTON LABEL BALDOR WITH FLA	1.000 EA

Accessories		
Part Number	Description	Multiplier
BKP2400	CONDUIT BOX KIT FOR 24 FRAME	A8



24LYE090

CUSTOMER IS RESPONSIBLE FOR DETERMINING THAT MOTOR PERFORMANCE IS SUITABLE IN THE APPLICATION.

REV. DESC: CHANGE THRU. NUT TO HEAD ON FRONT VIEW		
REV. LTR: C	VERSION: 02	TDR: 000000417944
060317Z	FILE: \CKA\00007\553	REVISED: 08:23:48 12/27/2006
	MTL: -	BY: CKMARD0

BALDOR ELECTRIC Co.	
LAYOUT,24 K	TEFC GP NONE 1.88 .625 KEY & FLAT

24LYE090

