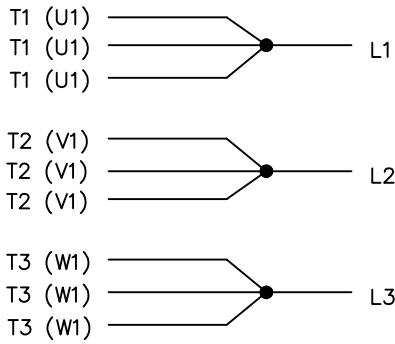
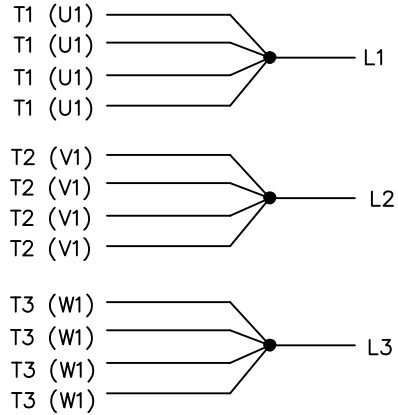


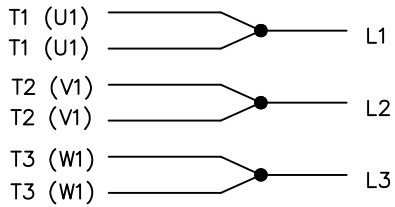
IF MOTOR HAS 9 LEADS



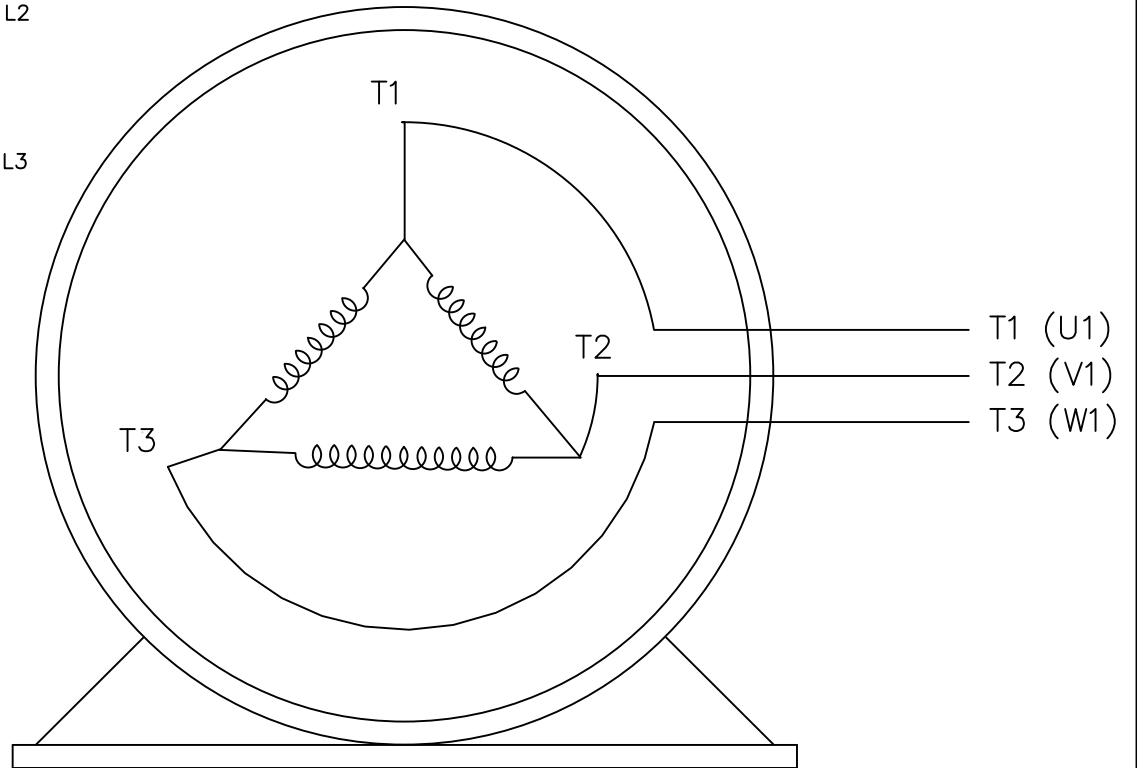
IF MOTOR HAS 12 LEADS




IF MOTOR HAS 6 LEADS



A-9806 DECAL IF CALLED FOR



VIEW OF TERMINAL END

			TOLERANCES UNLESS SPECIFIED			DRAWN DRS 09-27-1996
			DEC.	INCHES		CHK ML 09-30-1996
			.X	±.1		APPD GK 09-30-1996
8	ADDED IEC LEAD MARKINGS MU64205	KL 03-11-2005	.XX	±.02	TITLE CONNECTION DIAGRAM	SCALE 3=4
7	ADDED 12 LEADS	ERH 08-18-2003	ML	.XXX ±.005	3Ø SINGLE VOLTAGE	REF
6	REDRAWN ON CADD; ADDED TOP 9 LEADS CN23321	DRS 10-01-1996		.XXXX ±.0005	MAT'L.	FMF
NO.	REVISION	BY & DATE	CHK	ANG ±7'30"	FINISH	PREV
THIS DRAWING IN DESIGN AND DETAIL IS OUR PROPERTY AND MUST NOT BE USED EXCEPT IN CONNECTION WITH OUR WORK ALL RIGHTS OF DESIGN AND INVENTION ARE RESERVED THIS IS AN ELECTRONICALLY GENERATED DOCUMENT - DO NOT SCALE THIS PRINT			RFP	CAD FILE ee7300u		SIZE A
			DIST WA-LB-WP			DRAWING NO. EE7300U
					PAGE OF 8	
					REV. 8	