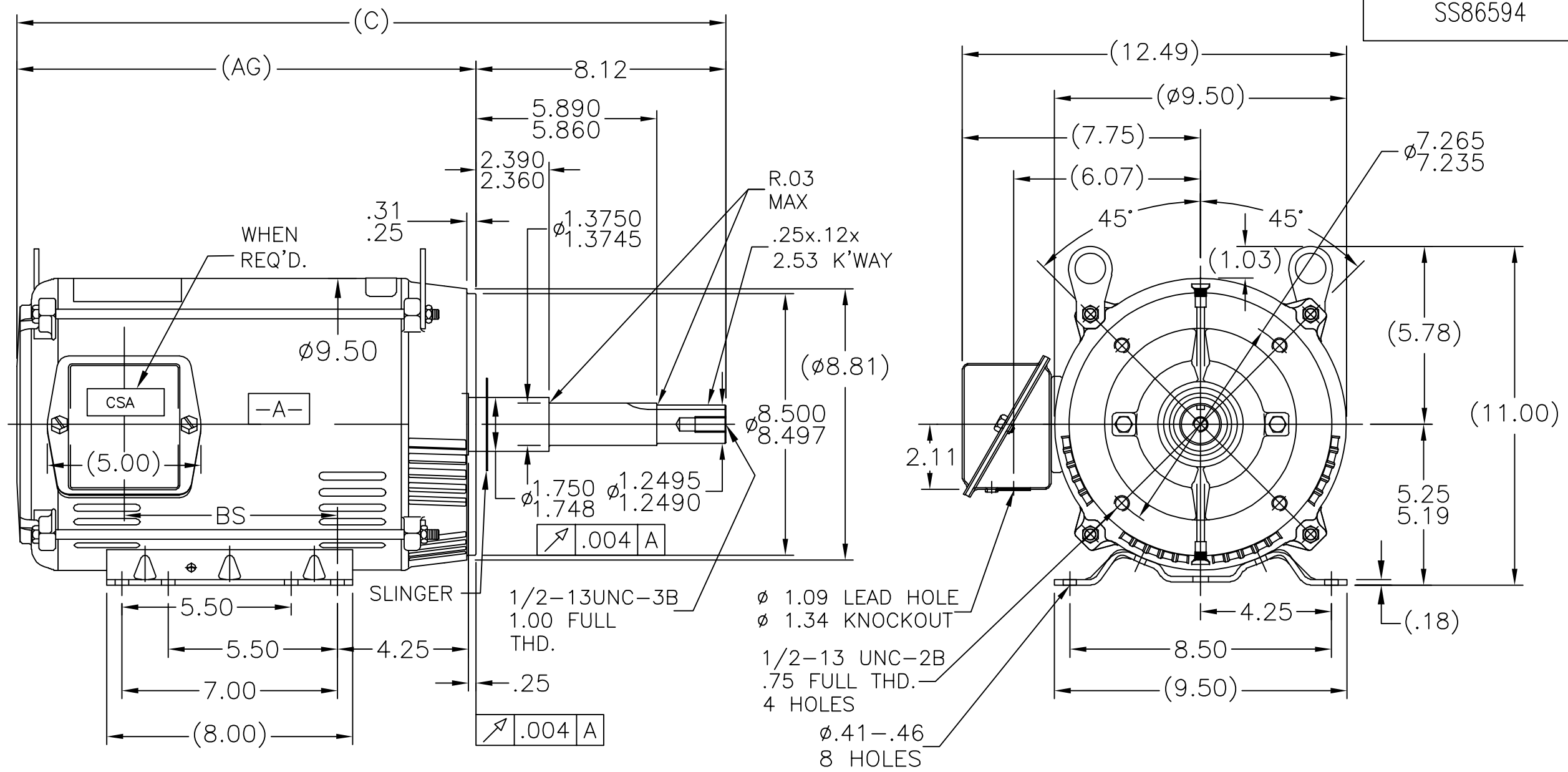


SS86594



NOTES:

1. NAMEPLATE TO BE READ FROM C'BOX SIDE OF MOTOR.
2. BOX CAN BE MOUNTED IN 90° STEPS.
3. BOX CAN BE MOUNTED ON OPPOSITE SIDE BY REMOVING BRACKETS AND TURNING FRAME 180°. (EXCEPT AS NOTED)

DASH	FR.	C	AG	BS	MOUNTING
965	213JP	21.53	13.41	5.43	
1115	213/15JP	23.03	14.91	6.93	
1240	213/15JP	24.28	16.16	8.18	F1 ONLY

NO.	REVISION	BY & DATE	CHK	TOLERANCES UNLESS SPECIFIED		MARATHON ELECTRIC	DRAWN DA 03-26-1996		
				DEC.	INCHES			CHK	ML 04-01-1996
5	WHEN REQ'D NOTE ADDED PER ECO-0043948	UD 01/20/14	GR			TITLE OUTLINE 210JP FR.-BB-TS-DR.PR.-C' FACE  MAT'L.  FINISH	APPD DN 04-01-1996		
4	UPDATED DRAWING	TJW 04/27/2007		.X	±.1		SCALE 1=5		
3	REDRAWN IN AUTOCAD	TAT 07-13-2004	ML	.XX	±.03		REF		
2	UPDATED C'BOX GEOMETRY CN 28425	DRS 01-31-2000		.XXX	±.005		FMF		
1	NEW DRAWING - DES/DEV	DA 04-02-1996		.XXXX	±.0005		PREV		
THIS DRAWING IN DESIGN AND DETAIL IS OUR PROPERTY AND MUST NOT BE USED EXCEPT IN CONNECTION WITH OUR WORK ALL RIGHTS OF DESIGN AND INVENTION ARE RESERVED THIS IS AN ELECTRONICALLY GENERATED DOCUMENT - DO NOT SCALE THIS PRINT			RFP	CAD FILE ss86594		SIZE A	DRAWING NO. SS86594	PAGE OF 5	REV. 5
			DIST LB						